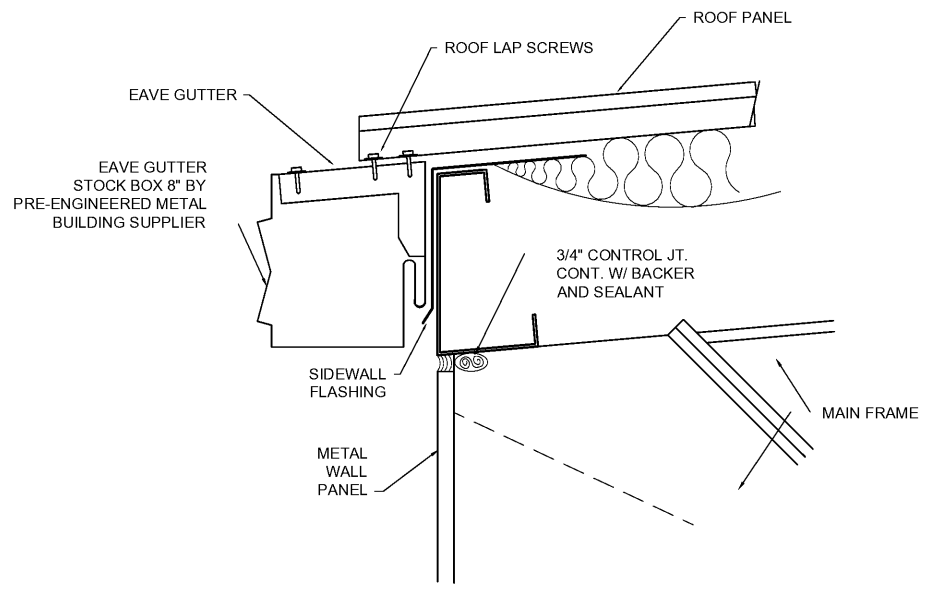
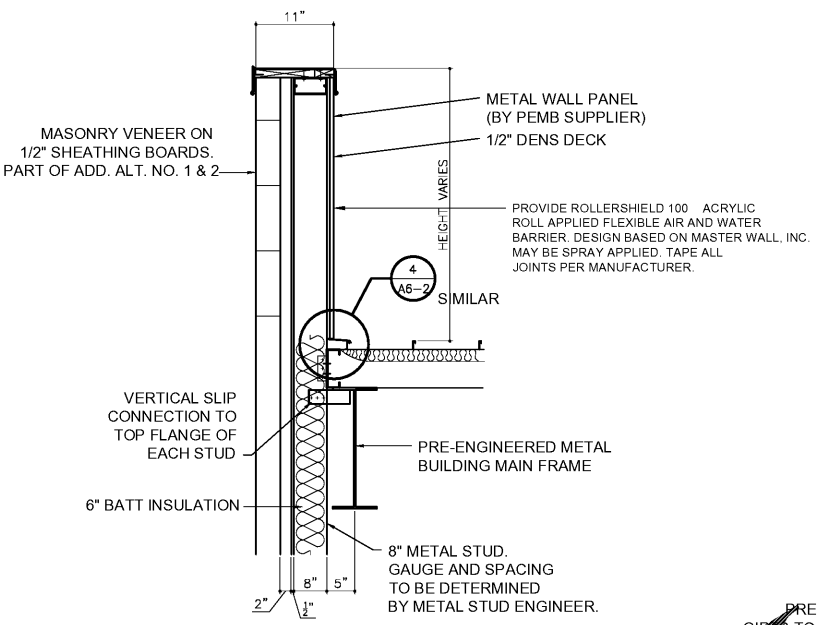




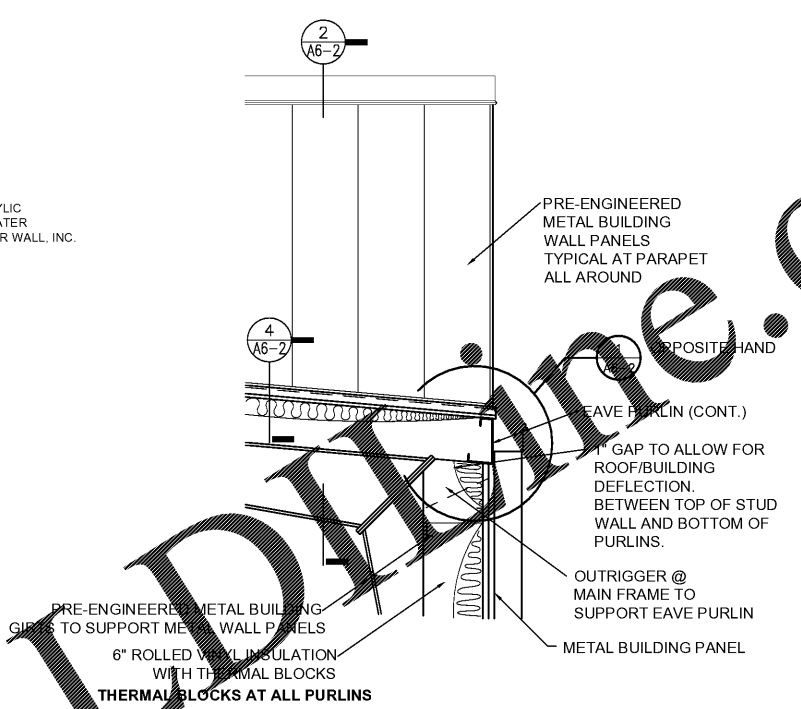
SMITH DESIGN GROUP, INC.
 200 WEST LAWRENCE STREET
 LAWRENCE, GEORGIA 30240
 706-882-5511 www.SDGarch.net



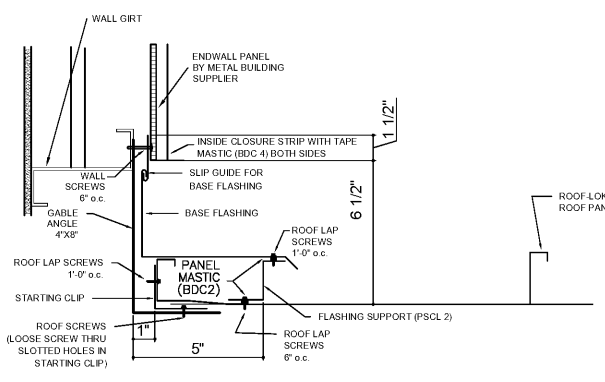
1 EAVE SECTION
 SCALE: NONE



2 SIDE PARAPET SECTION
 SCALE: 3/4" = 1'-0"

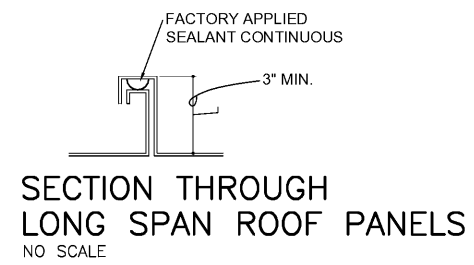


3 REAR EAVE SECTION
 SCALE: 3/4" = 1'-0"

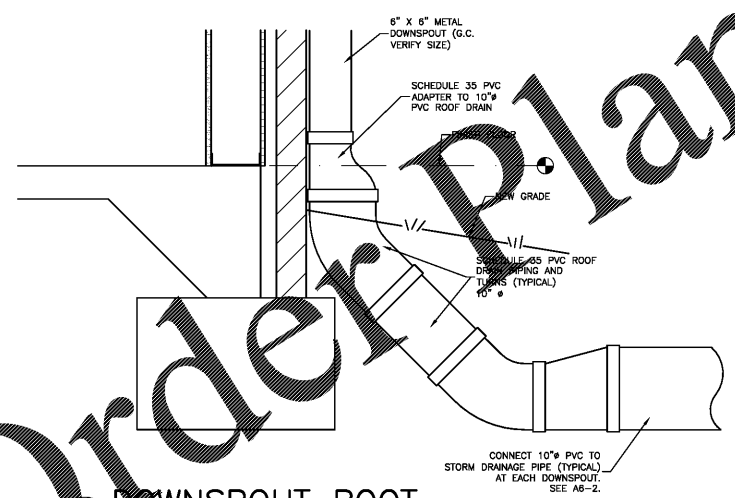


4 STEP-UP SECTION AT PANEL FLAT
 SCALE: NONE

NOTE: PANEL STARTING CLIP AND PANEL SUPPORT PLATE MUST NOT BE FASTENED TO PURLINS.

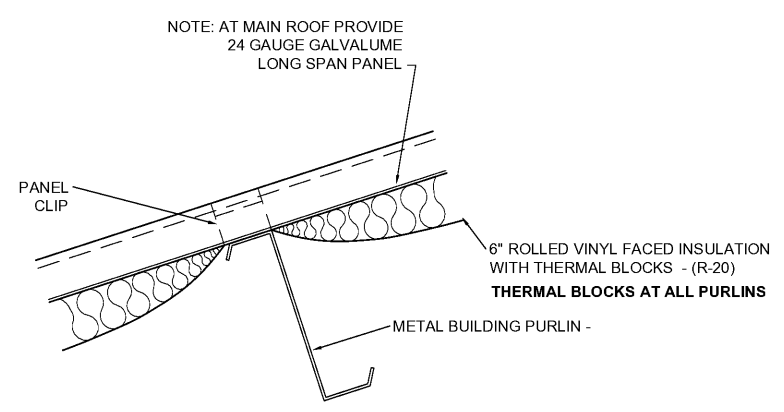


SECTION THROUGH LONG SPAN ROOF PANELS
 NO SCALE

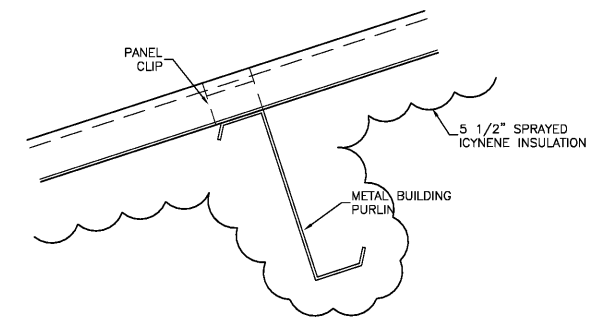


5 DOWNSPOUT BOOT ROOF DRAINAGE DETAIL
 NOT TO SCALE

NOTE: G.C. TO CONNECT ALL DOWNSPOUTS TO UNDERGROUND DRAINAGE SYSTEM



5 LONG SPAN PANELS AT LOW SLOPE MAIN ROOF.
 SCALE: 3" = 1'-0"



2 METAL BUILDING ROOF PANEL
 SCALE: 3" = 1'-0"

INSULATION - PART OF ADD. ALT. NO. 5 IN LIEU OF 6" ROLLED VINYL INSULATION, INSTALL 5-1/2" SPRAYED ON ICYNENE INSULATION.

REVISIONS	
DATE	DESCRIPTION

PROJECT:
 VERNON ROAD FIRE STATION
 VERNON ROAD
 LAGRANGE GEORGIA

TITLE:
 DETAILS

MODIFIED DATE:	JOB NO: 1731
ISSUED DATE: FOR BID AND PERMIT 07 MAY 2018	SHEET: A6-2

Order Plans @ WWW.LDOnline.com