

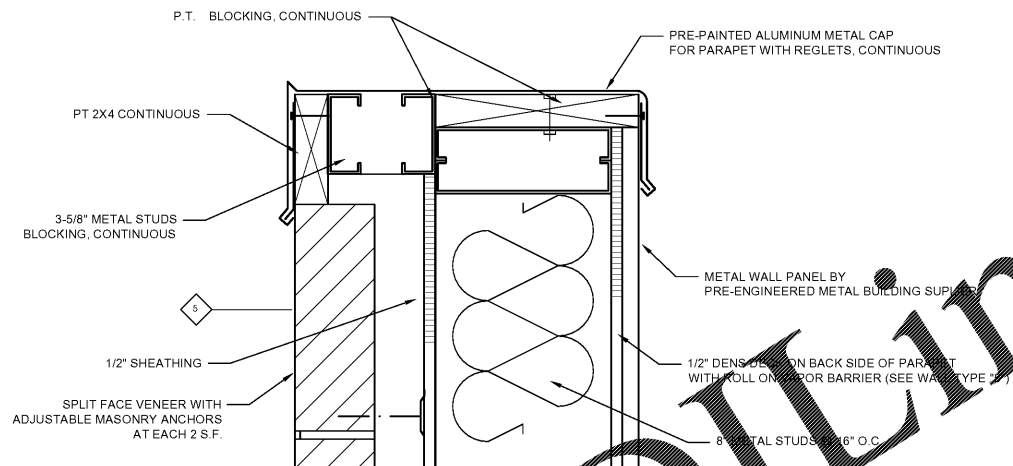


SIGNATURE REQUIRED

SMITH DESIGN GROUP, INC.

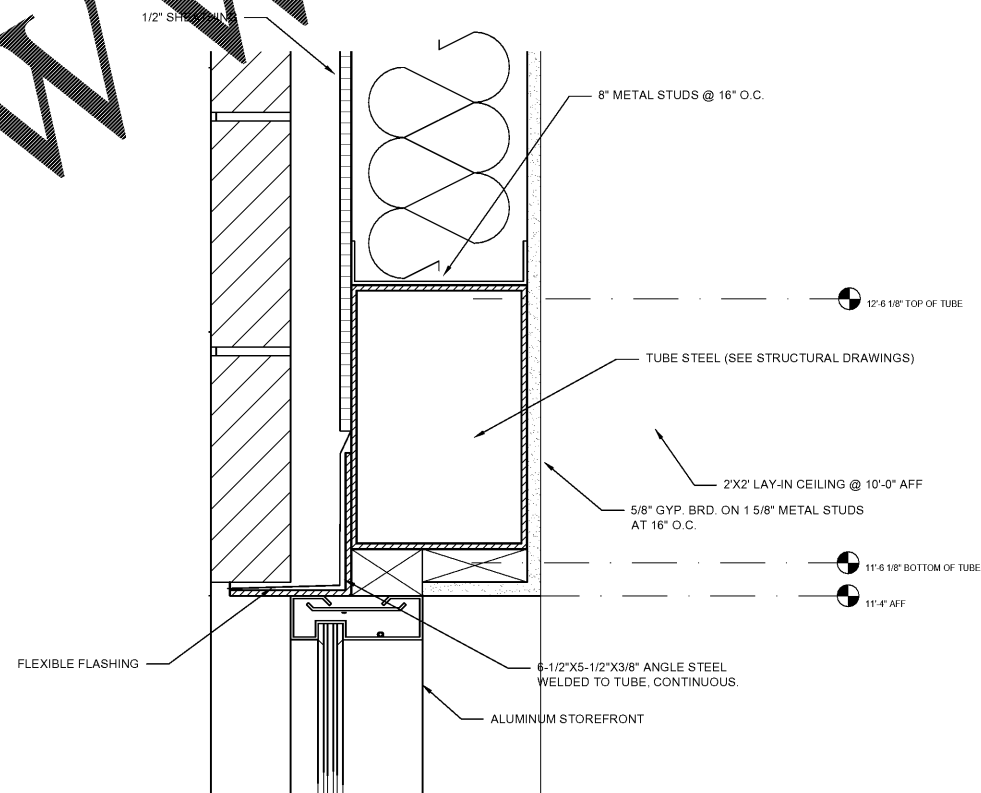
200 WEST HAWKSON STREET
 LAGRANGE, GEORGIA 30240
 706-882-5511 www.SDGarch.net

LEGEND
 5 WALL TYPE DESIGNATION SEE SHEET A2-5



SECTION DETAIL
 PART OF ADD. ALT. NO. 2

1
 A5-12
 SCALE: 3" = 1'-0"



SECTION DETAIL
 PART OF ADD. ALT. NO. 2

2
 A5-12
 SCALE: 3" = 1'-0"

REVISIONS

DATE	DESCRIPTION

PROJECT:
 VERNON ROAD FIRE STATION
 VERNON ROAD
 LAGRANGE GEORGIA

TITLE:
 WALL SECTIONS
 AWNING DETAILS

MODIFIED DATE:	JOB NO: 1731
ISSUED DATE: FOR BID AND PERMIT 07 MAY 2018	SHEET: A5-12

Order Plans @ WWW.DIline.com