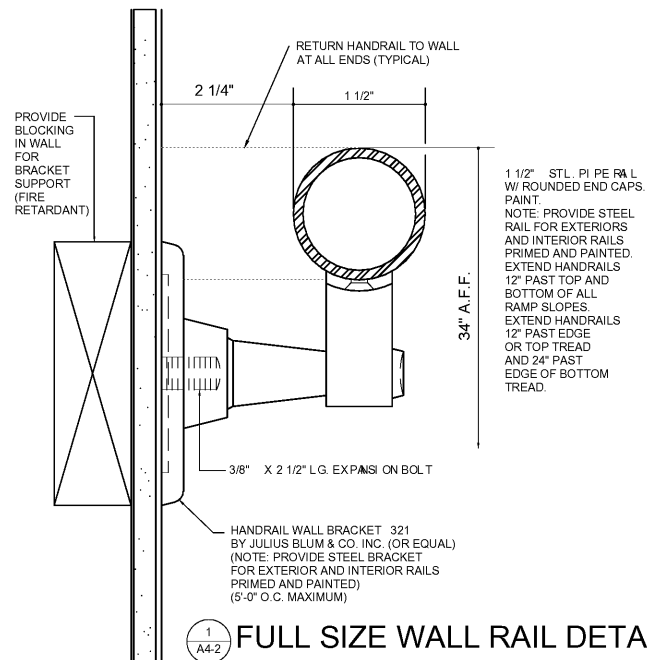


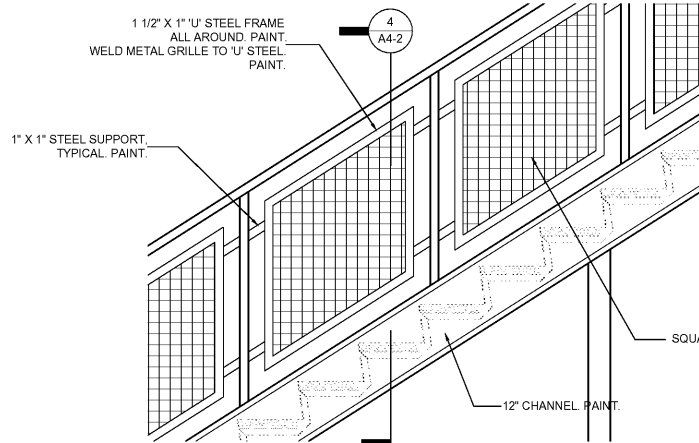


SMITH DESIGN GROUP, INC.

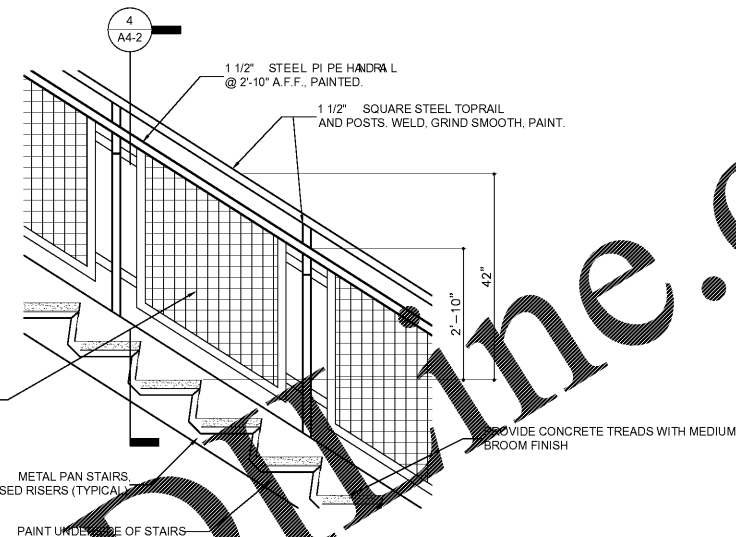
200 WEST WILKINSON STREET
 LAGRANGE, GEORGIA 30240
 706-882-5511 www.SDGarch.net



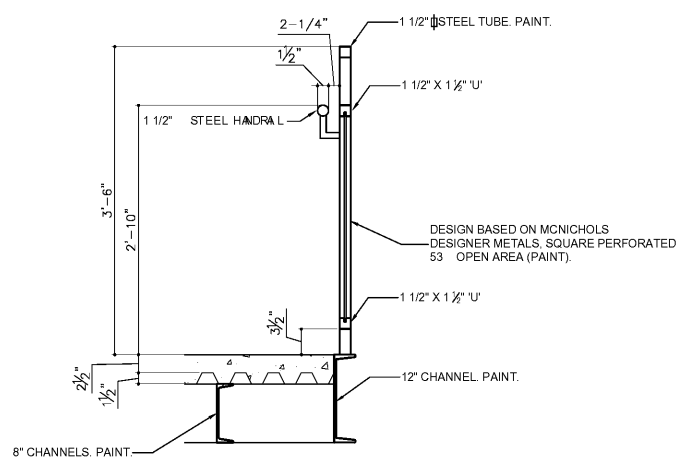
1 FULL SIZE WALL RAIL DETAIL
 A4-2



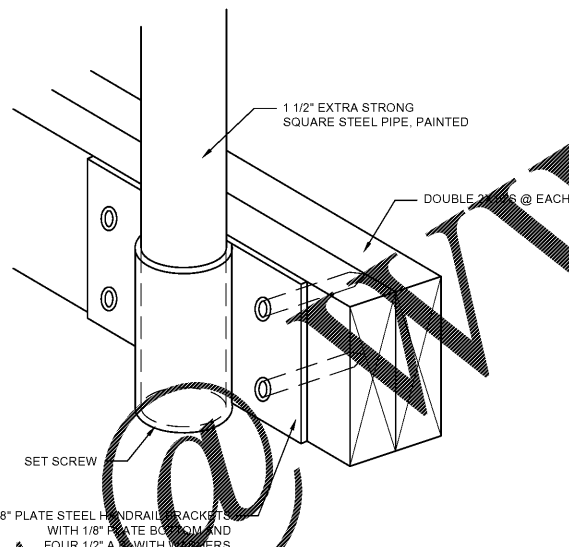
2 RAILING DETAIL
 SCALE: 3/4\"/>



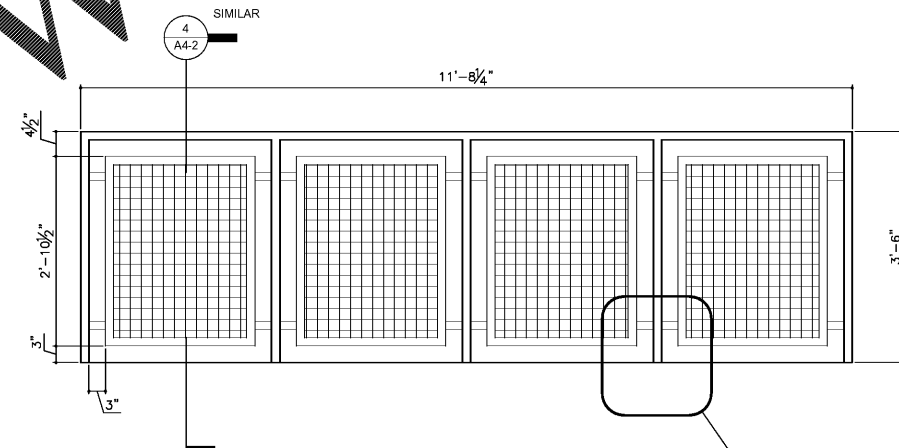
3 RAILING DETAIL
 SCALE: 3/4\"/>



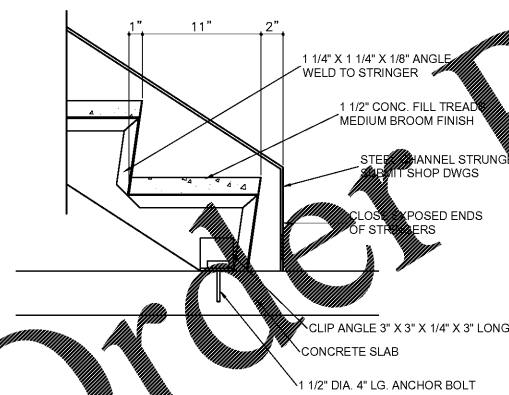
4 RAILING DETAIL
 SCALE: 1\"/>



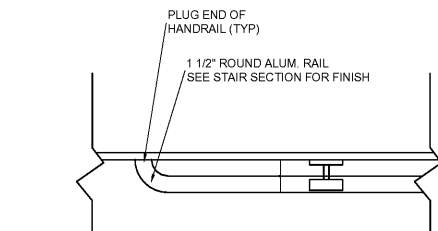
5 GUARDRAIL SUPPORT BRACKET
 NOT TO SCALE



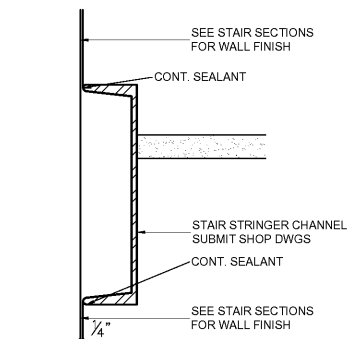
6 GUARDRAIL DETAIL
 SCALE: 3/4\"/>



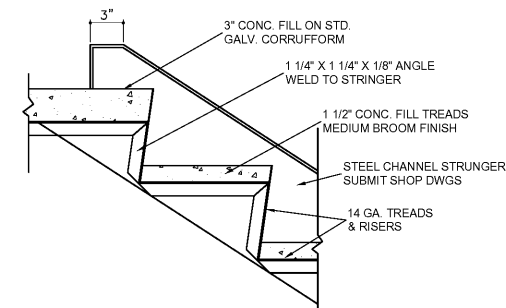
7 PAN STAIR TREAD/RISER
 SCALE: 1 1/2\"/>



8 HANDRAIL TERMINATION
 SCALE: 1 1/2\"/>



9 PAN STAIR STRINGER
 SCALE: 1 1/2\"/>



10 PAN STAIR TREAD/RISER
 SCALE: 1 1/2\"/>

REVISIONS	
DATE	DESCRIPTION

PROJECT:
 VERNON ROAD FIRE STATION
 VERNON ROAD
 LAGRANGE GEORGIA

TITLE:
 STAIR DETAILS

MODIFIED DATE:	JOB NO: 1731
ISSUED DATE: FOR BID AND PERMIT 07 MAY 2018	SHEET: A4-2

Order Plans @ www.LDOnline.com