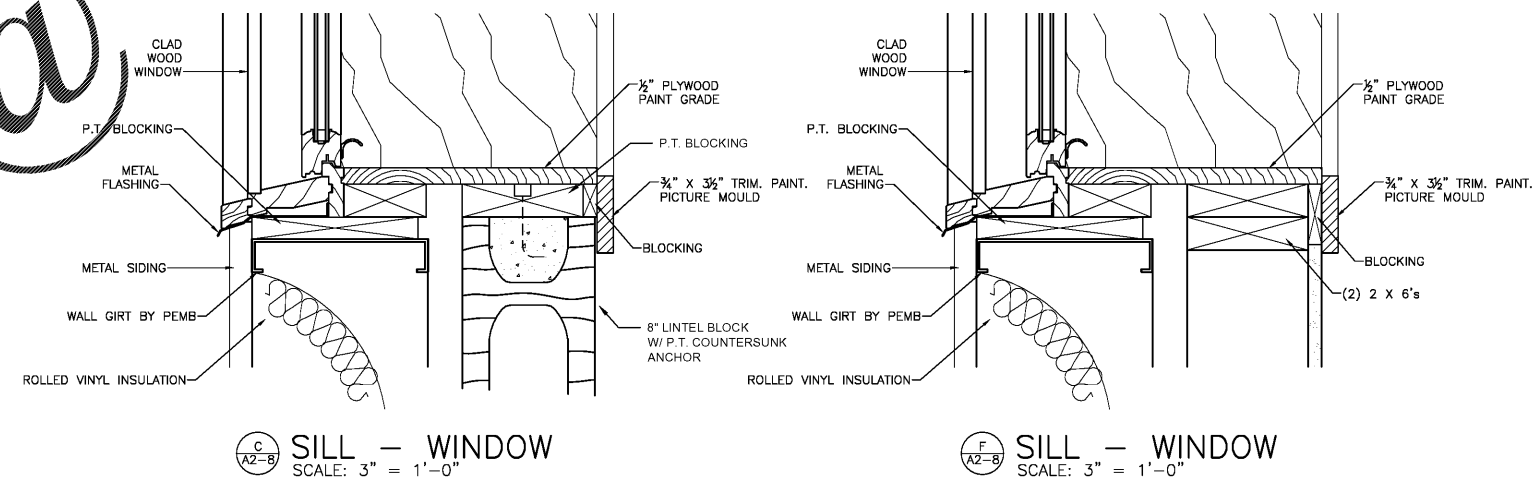
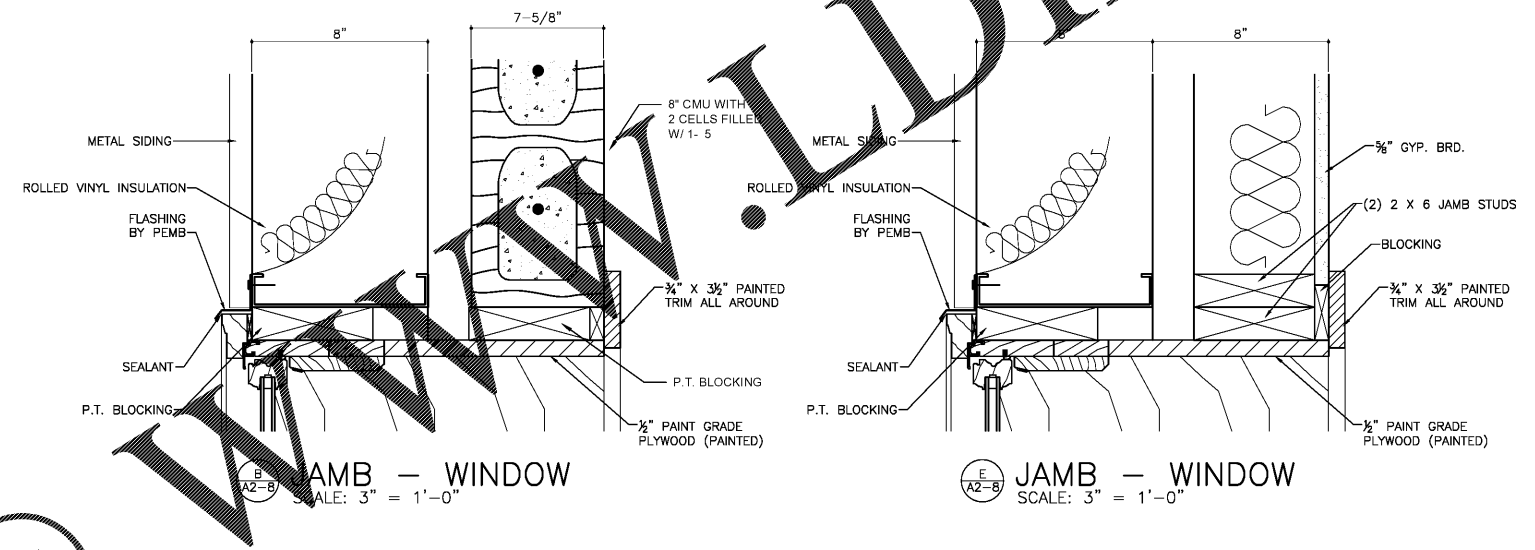
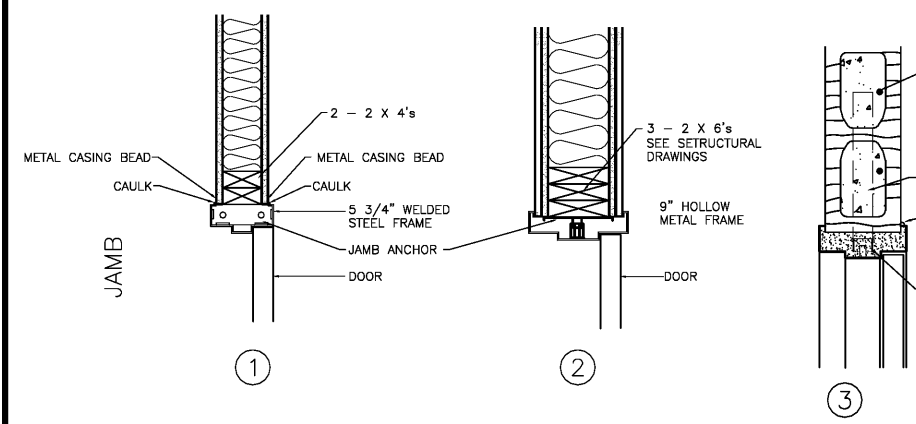
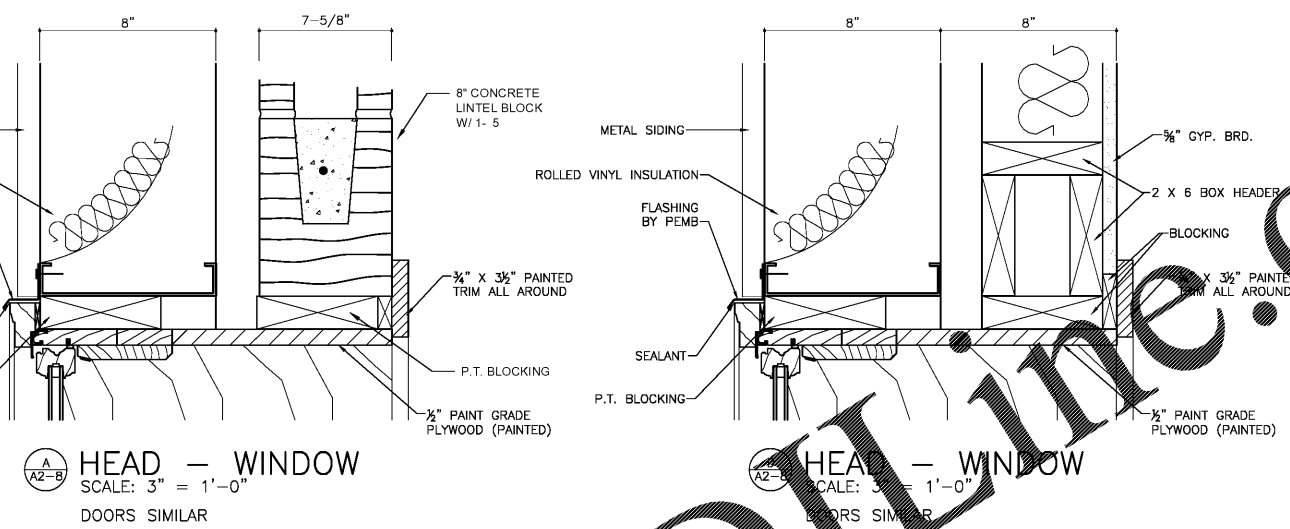
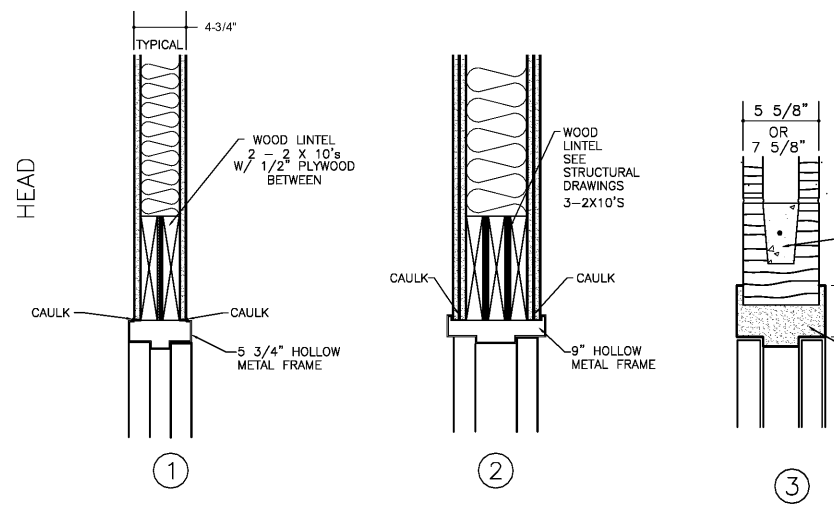




SMITH DESIGN GROUP, INC.  
 20 WEST HAWKESON STREET  
 LAGRANGE, GEORGIA 30240  
 706-882-5511 www.SDGarch.net

**ADDITIVE ALTERNATIVE  
 NO. 2 WINDOW AND  
 DOOR HEADS  
 PROVIDE  
 3-1/2"X3-1/2"X1/4"  
 LINTEL ANGLE AT  
 HEADS. PROVIDE  
 FLEXIBLE FLASHING  
 AND WEEP HOLES ALL  
 AROUND OPENINGS.**



WINDOW DETAILS

WINDOW DETAILS

REVISIONS	
DATE	DESCRIPTION

PROJECT:  
**VERNON ROAD FIRE STATION**  
 VERNON ROAD  
 LAGRANGE GEORGIA

TITLE:  
**HEAD, JAMB, SILL  
 DETAILS**

MODIFIED DATE:	JOB NO: <b>1731</b>
ISSUED DATE: FOR BID AND PERMIT 07 MAY 2018	SHEET: <b>A2-8</b>

Order Plans

WWW.LDLINE.COM