

ADDITIVE ALTERNATIVE NO.1
NOTE - IN AREAS OF EXTERIOR OF ADD. ALT. NO.1 THAT ARE TO RECEIVE METAL SIDING, THE METAL SIDING WILL BE APPLIED OVER THE METAL STUDS AND SHEATHING AND AIR/VAPOR BARRIER, AS SHOWN ON WALL TYPES 1 & 2.

ARCHITECT'S STAMP

STATE OF GEORGIA

PROFESSIONAL ARCHITECT

7575

SIGNATURE REQUIRED

SMITH DESIGN GROUP, INC.

28 WEST JACKSON STREET
 LAGRANGE, GEORGIA 30240

708-882-5511 www.SDGarch.net

- GENERAL WALL TYPE NOTES:
1. DETAILS SHOWN ARE TYPICAL AND SHALL APPLY TO ALL LIKE AND/OR SIMILAR CONDITIONS WHETHER SPECIFICALLY MARKED OR NOT
 2. PAINT ABOVE CEILINGS AT 12'-0" O.C. IN 2' HIGH RED LETTERS [1,2,4] HOUR FIRE WALL AND SMOKE BARRIER - PROTECT ALL OPENINGS ON ALL RATED WALLS
 3. SEAL AROUND ALL PENETRATIONS IN RATED WALLS.
 4. PROVIDE CONTROL JOINTS @ 30'-0" O.C. FOR ALL GYPSUM BOARD WALL TYPES. SEE DETAIL 6/A9-1. COORDINATE EXACT LOCATIONS WITH ARCHITECT.
 5. 600S162-68 (6" DEEP, 1-5/8" WIDE, 14 GAUGE) GALV. STUDS @ 16" O.C. (MAX) ATTACHED TO RUNNERS W/ 1/2" TYPE S-12 SCREW OR PER AISI SPECS. PROVIDE LATERAL SUPPORT WHERE REQ'D.
 6. SEAL AROUND ALL PENETRATIONS TO LIMIT SMOKE AND SOUND TRANSMISSION THROUGH RATED WALL TYPES. USE UL APPROVED SEALANT.
 7. ALL EXPOSED TO VIEW GYPSUM BOARD WALLS TO HAVE TYPE 7 / LEVEL 5 FINISH

NOTE:
ALL WALL TYPES (EVEN NON-RATED WALL TYPES) ARE TO SEAL TIGHT AGAINST FLOOR ABOVE OR ROOF DECK.

REVISIONS	
DATE	DESCRIPTION

PROJECT:
VERNON ROAD FIRE STATION

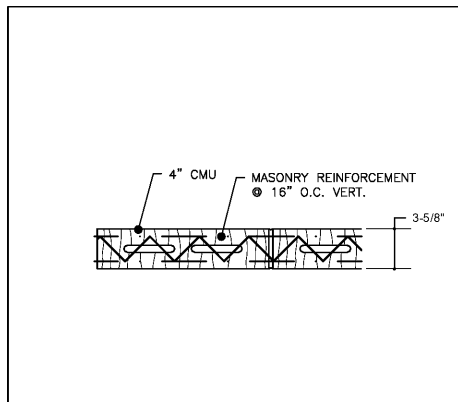
VERNON ROAD
 LAGRANGE GEORGIA

TITLE:	
WALL TYPES	
MODIFIED DATE:	JOB NO: 1731
ISSUED DATE: FOR BID AND PERMIT	SHEET: A2-5
07 MAY 2018	

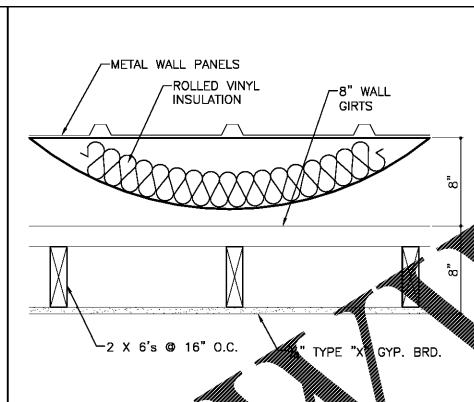
1 WALL TYPE 1
 NOT TO SCALE
 EXTERIOR CAST STONE OR BRICK
PART OF ADD. ALTS. NO.1 & 2

2 WALL TYPE 2
 NOT TO SCALE
 2 HOUR RATED FIRE SEPARATION WALL

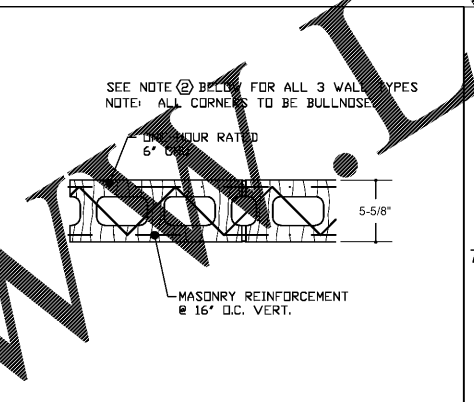
3 WALL TYPE 3
 NOT TO SCALE
 EXTERIOR CAST STONE OR BRICK
PART OF ADD. ALTS. NO.1 & 2



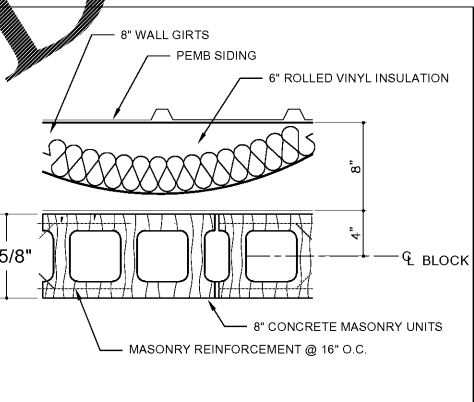
4 4" CMU WALL



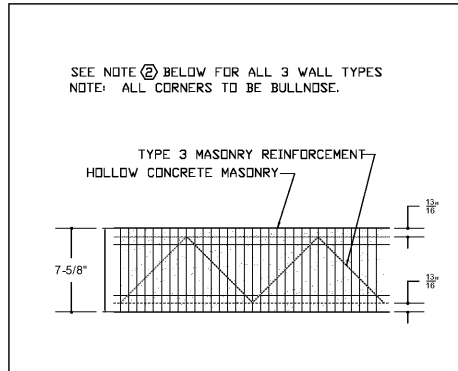
5 EXTERIOR WALL AT DORMER AREA



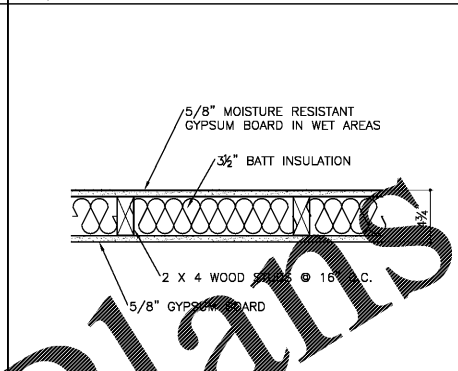
6 6" CMU WALL



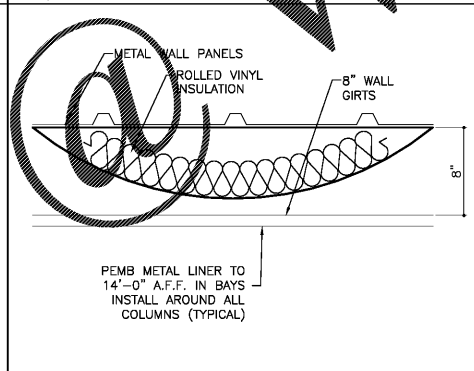
7 FIRST FLOOR EXTERIOR WALL



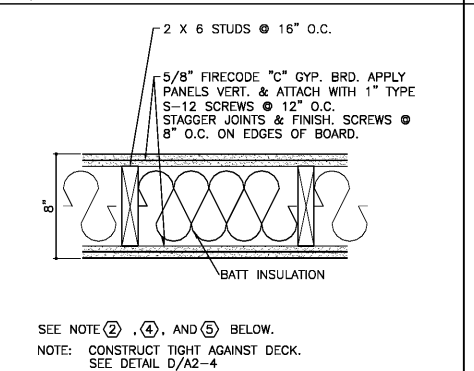
8 8" CMU INTERIOR WALL (NON RATED)



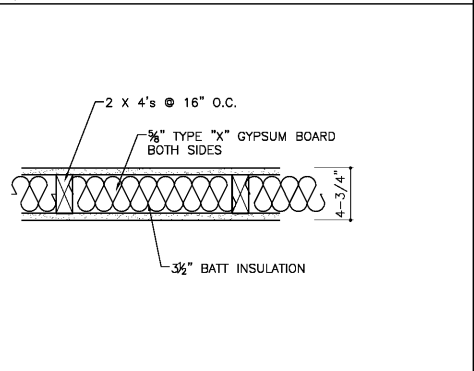
9 TYPICAL INTERIOR PARTITION WALL
 NON-LOAD BEARING



10 EXTERIOR WALL



11 2 HOUR RATED PARTITION WALL
 NON-BEARING



12 1-HOUR RATED FIRE BARRIER

GENERAL NOTES REGARDING GYPSUM WALLBOARD CONSTRUCTION

1. USE "WR" GYPSUM BOARD IN ALL AREAS SUBJECT TO WETNESS, DAMPNESS OR AREAS WHICH WILL "TYPICALLY" BE MOIST, INCLUDING BUT NOT LIMITED TO BATHROOMS, TOILET ROOM, KITCHEN AND BREAK ROOM FIXTURE WALLS, ETC.
2. USE EXTERIOR TYPE ("SOFFIT BOARD") GYPSUM BOARD IN ALL AREAS EXPOSED DIRECTLY TO EXTERIOR WEATHER CONDITIONS.
3. INCLUDE METAL OR PLASTIC (VINYL) EDGE TRIM AT ALL "EXPOSED" EDGES AND/OR ENDS OF GYPSUM WALLBOARD. THIS INCLUDES "J" MOLD OR EQUIVALENT TRIM AT TOPS OF WALLS AND PARTITIONS ADJACENT TO OR ABUTTING CEILINGS, ETC.
4. INCLUDE CORNER BEAD OR APPROVED EQUIVALENT PROTECTIVE TRIM AND/OR REINFORCING AT ALL EXPOSED CORNERS OF GYPSUM BOARD PARTITIONS AND WALLS. SMOOTH OUT THICKNESS DIFFERENTIAL AT ENDS AND CORNERS OF WALL AND PARTITION CONSTRUCTION TO MAINTAIN "LEVEL", PLUMB AND EVEN FINISHED SURFACES.
5. PROVIDE WOOD BLOCKING AND/OR BRACING AT ALL DOOR FRAMES AND CASED OPENINGS. THIS BLOCKING AND/OR BRACING MUST EXTEND FROM FINISHED FLOOR (STRUCTURAL SURFACE) TO STRUCTURE ABOVE IS POSSIBLE AND WHERE THIS IS NOT POSSIBLE EXTEND AND SECURE TO TOP RUNNER OF WALL OR PARTITION AND TIE ACROSS DOOR OR OPENING HEAD.
6. THICKNESSES SHOWN ON DETAIL DRAWINGS ARE ACTUAL DIMENSIONS AND ARE FACE-TO-FACE OF "BASIC WALL".
7. WHERE SEALANT IS NOTED PROVIDE APPROVED (BY GYPSUM ASSOCIATION OR VIA ASTM) SEALANT COMPATIBLE WITH STC RATINGS APPLICABLE FOR WALL OR PARTITION TYPE SHOWN.
8. ALTERNATE CONSTRUCTION AND THICKNESSES FOR FIRE RATED WALLS AND PARTITIONS SHOWN OR REFERENCED WILL BE CONSIDERED AS ACCEPTABLE ALTERNATIVES IF APPROVED (IN WRITING) BY LOCALLY APPLICABLE BUILDING OFFICIALS AND IF SUBMITTED WITH COMPLETE DOCUMENTATION REGARDING ACCEPTABILITY, TESTING REFERENCES, MATERIALS AND/OR DIMENSIONAL DIFFERENCES (IF ANY) IN ADVANCE OF CONSTRUCTION AND/OR INCLUSION IN THE PROJECT.
9. SEE GENERAL NOTES AND NOTES RELATIVE TO THIS PROJECT.
10. TAPING AND SANDING OF JOINTS IN GYPSUM BOARD SHALL BE PERFORMED AS THOUGH THE JOINTS FINISHED SURFACE WILL BE PAINTED, REGARDLESS OF THE FINISH SCHEDULED OR NOTED UNLESS SPECIFICALLY NOTED OTHERWISE.

ASTM REFERENCE STANDARDS FOR GYPSUM BOARD AND GYPSUM RELATED PRODUCTS AND ASSEMBLIES (REF: GYPSUM ASSOCIATION GA-600-88 MANUAL)

1. REGULAR GYPSUM WALLBOARD ((C 36))
2. TYPE "X" GYPSUM WALLBOARD ((C36))
3. GYPSUM SHEATHING ((C 79))
4. GYPSUM BACKING BOARD ((C 442))
5. JOINT TREATMENT ((C 475))
6. NAILS AND THE APPLICATION OF GYPSUM WALLBOARD ((C 514))
7. SOFFIT BOARD ("EXTERIOR" GYP. B'D) ((C 931))
8. WATER RESISTANT ("WR") GYPSUM BOARD ((C 630))
9. GYPSUM COREBOARD ((C 442))
10. NON-LOAD (AXIAL) BEARING STEEL STUDS, RUNNERS (TRACK) AND RIGID FURRING CHANNELS FOR SCREW APPLICATION OF GYPSUM BOARD ((C645))
11. INSTALLATION OF STEEL FRAMING MEMBERS TO RECEIVE SCREW-ATTACHED GYPSUM WALLBOARD, BACKING BOARD OR WATER-RESISTANT GYPSUM BOARD ((C 745))
12. STEEL DRILL SCREWS FOR APPLICATION OF GYPSUM BOARD (TYPES G, W AND S) ((C 1002))
13. ACCESSORIES FOR GYPSUM WALLBOARD AND GYPSUM VENEER BASE ((C 1047))
14. FOR ITEMS NOT REFERENCED ABOVE REFER TO GYPSUM ASSOCIATION'S PUBLISHED RECOMMENDATIONS.

NOTES

1. DETAILS SHOWN ARE TYPICAL AND SHALL APPLY TO ALL LIKE AND/OR SIMILAR CONDITIONS WHETHER SPECIFICALLY MARKED OR NOT.
2. PAINT ABOVE CEILINGS AT 12'-0" O.C. IN 2' HIGH RED LETTERS, [1,2,4] HOUR FIRE WALL AND SMOKE BARRIER - PROTECT ALL OPENINGS.
3. ON ALL EXPOSED MASONRY BE SURE TO WASH OR BLEND SAND WITHOUT ANY SALT CONTENT AND TO USE WATER FREE OF SALT IN THE MORTAR. COVER ALL MASONRY WORK WITH 6 MIL POLY AT THE END OF EACH WORK DAY AND KEEP CAVITY CLEAN OF MORTAR DROPPING.
4. SEAL WALL TIGHT AGAINST ROOF PANEL, SEE DETAIL D/A2-4

REFER TO DETAIL 6/A9-1 FOR EXPANSION JOINT DETAIL GYPSUM BOARD WALLS EVERY 30'-0"