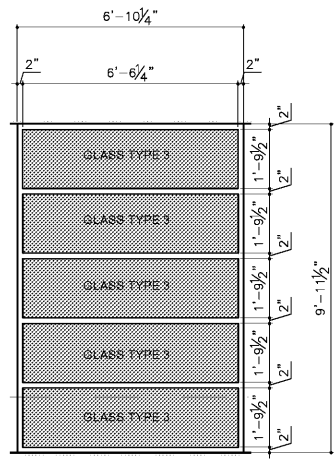
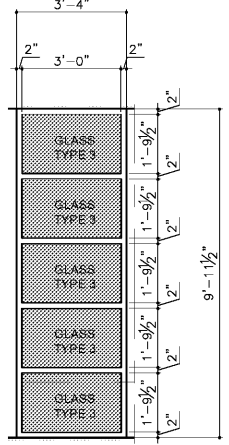


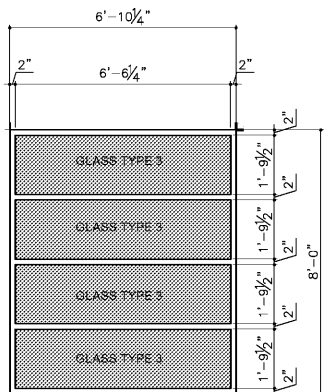
AL-2



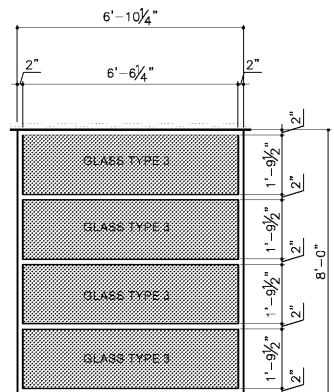
AL-4



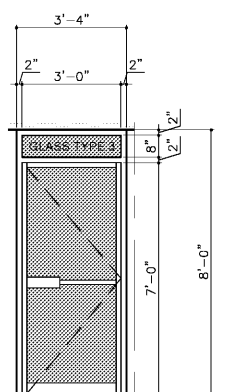
AL-6



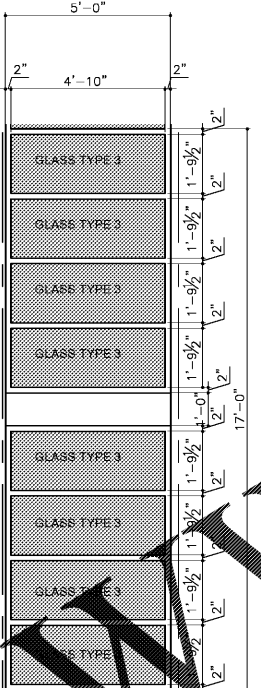
AL-1



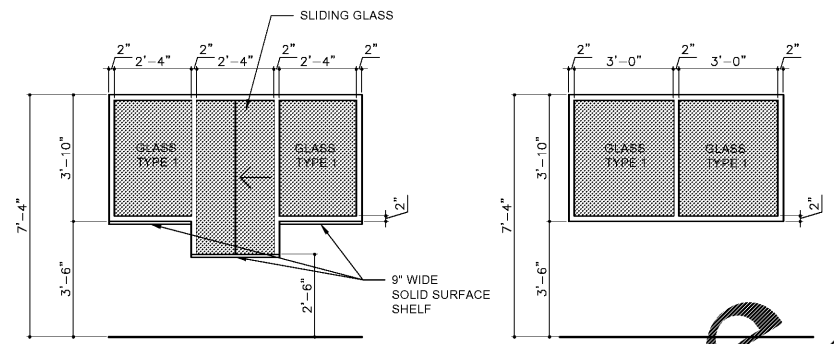
AL-3



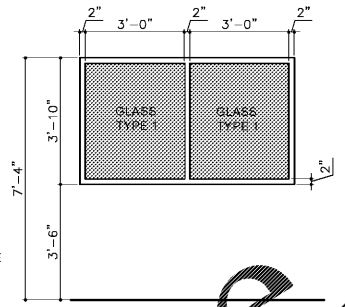
AL-5



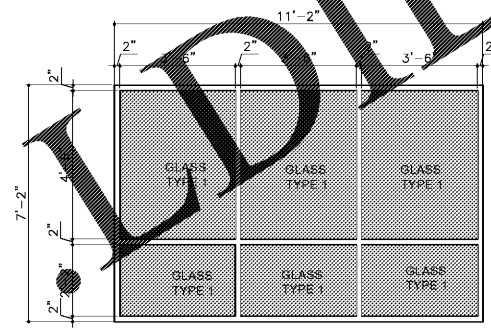
AL-7



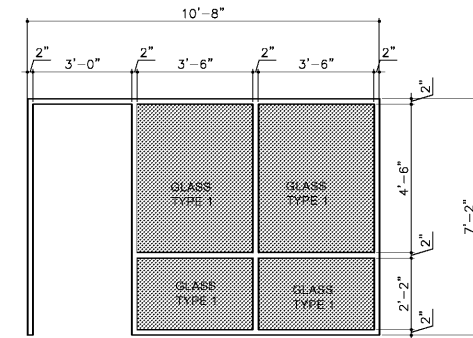
AL-8



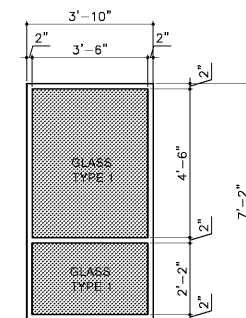
AL-9



AL-10



AL-11



AL-12

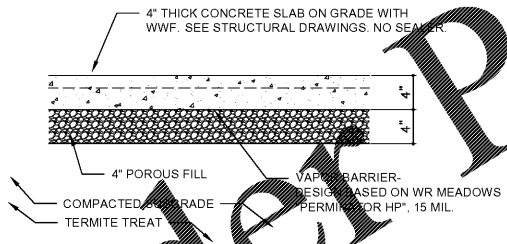
TRI-FAB ANODIZED ALUMINUM FRAME WITH ARCTIC BLUE GLASS

ALUMINUM STOREFRONT AT ENTRY TOWER

SCALE: 3/8" = 1'-0"

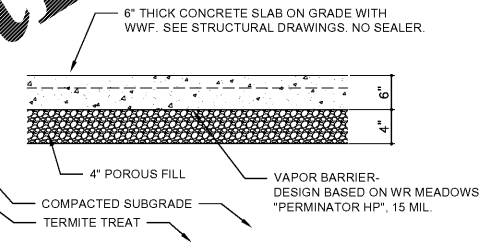
- GLASS TYPES:
1. 1/4" CLEAR TEMPERED
 2. 1/4" WIRE GLASS
 3. 1" INSULATED GLASS, TEMPERED WITH LOW E COATING (ARCTIC BLUE GLASS)
 4. 1" INSULATED GLASS, TEMPERED WITH LOW E COATING (ARCTIC BLUE GLASS)
 5. 1/4" ONE-WAY VIEWING GLASS
 6. 1/4" TEMPERED GLASS WITH LOW E COATING
 7. 1/2" TEMPERED GLASS WITH LOW E COATING

NOTE: SILL AND RAIL DIMENSIONS MAY VARY SLIGHTLY AS REQUIRED BY MANUFACTURERS TO MAINTAIN ALTERNITY.



4" THICK SLAB AT OFFICE

NOTE: PROVIDE AND INSTALL MM-80, TWO COMPONENT HEAVY DUTY, SEMI-RIGID EPOXY JOINT FILLER AT ALL CONTRACTION AND CONSTRUCTION JOINTS. DESIGN BASED ON METZGER AND McGUIRE MANUFACTURING.



6" THICK SLAB AT APPARATUS BAY

NOTE: PROVIDE AND INSTALL MM-80, TWO COMPONENT HEAVY DUTY, SEMI-RIGID EPOXY JOINT FILLER AT ALL CONTRACTION AND CONSTRUCTION JOINTS. DESIGN BASED ON METZGER AND McGUIRE MANUFACTURING.



SMITH DESIGN GROUP, INC.
200 WEST HAWKSON STREET
LAGRANGE, GEORGIA 30240
706-882-5511 www.SDGarch.net

REVISIONS	
DATE	DESCRIPTION

PROJECT:
VERNON ROAD FIRE STATION
VERNON ROAD
LAGRANGE GEORGIA

TITLE:
WINDOW TYPES DETAILS

MODIFIED DATE:	JOB NO: 1731
ISSUED DATE: FOR BID AND PERMIT 07 MAY 2018	SHEET: A2-4