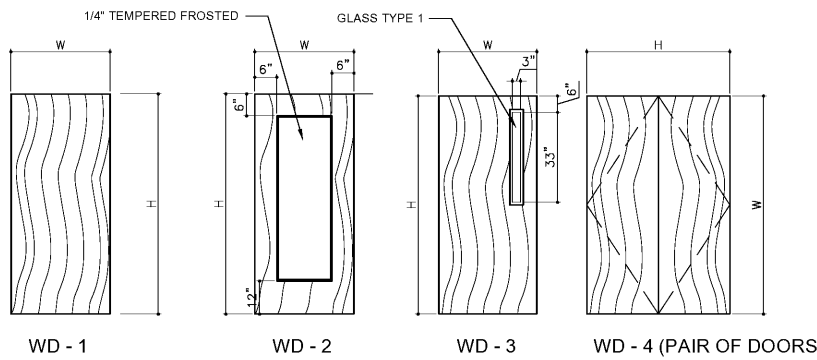


CUSTOM HOLLOW METAL DOOR TYPES

ALUMINUM STOREFRONT DOOR

DESIGN BASED ON KAWNEER 190 NARROW STYLE DOOR WITH PANELINE EXIT DEVICE, OFFSET PULL AND CLOSER, KYNAR 500. COLOR OF FINISH FROM MANUFACTURER'S VERIFY LOCKING DEVICE WITH OWNER. SIDELIGHT AND TRANSOM TO BE KAWNEER TRIFAB 451, 2' X 4 1/2". GLASS TO BE 1" ARCTIC BLUE TEMPERED.

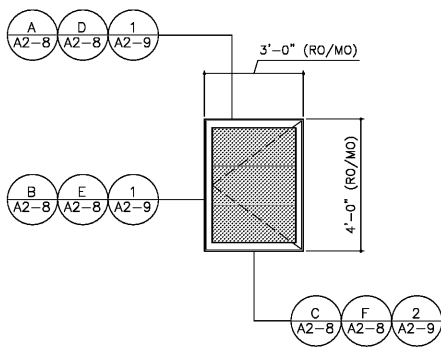
ALL ALUMINUM BY KAWNEER AND CO. ANODIZED ALUMINUM FINISH, 190 STYLE. TOP & BOTTOM OFFSET PIVOTS, NORTON 1905 CLOSER, STD THRESHOLD. PANELINE PANICS ON DOORS WITHOUT ELECTRIC STRIKE AND FOLDGERADAMS 310-4 ELECTRIC WITH DOOR-MATIC 1500 N.C. WITH MID PANEL ON DOORS WITH TAG ENTRY. ALL DOORS GET G-3 PULLS. ALL FRAMING TO BE TRIFAB 451 2' x 4". ALL GLASS (INCLUDING DOORS) TO BE 1" ARCTIC BLUE TINTED TEMPERED WITH 10 YEAR WARRANTY. ALL FIXED FRAMES TO GET PAN TYPE FLASHING.



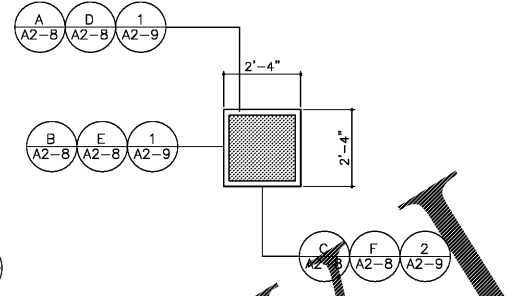
WOOD DOOR TYPES -

GLASS TYPES:
 1. 1/4" CLEAR TEMPERED
 2. 1/4" WIRE GLASS
 3. 1" INSULATED GLASS, TEMPERED WITH LOW E COATING. (ARCTIC BLUE GLASS)
 4. 1" INSULATED GLASS, WITH LOW E COATING. (ARCTIC BLUE GLASS)
 5. 1/4" ONE-WAY VIEWING GLASS
 6. 1/4" TEMPERED GLASS WITH LOW E COATING.
 7. 1/2" TEMPERED GLASS WITH LOW E COATING.

NOTE: STILES AND RAIL DIMENSIONS MAY VARY SLIGHTLY AS REQUIRED BY DIFFERENT MANUFACTURERS TO MAINTAIN WARRANTY.



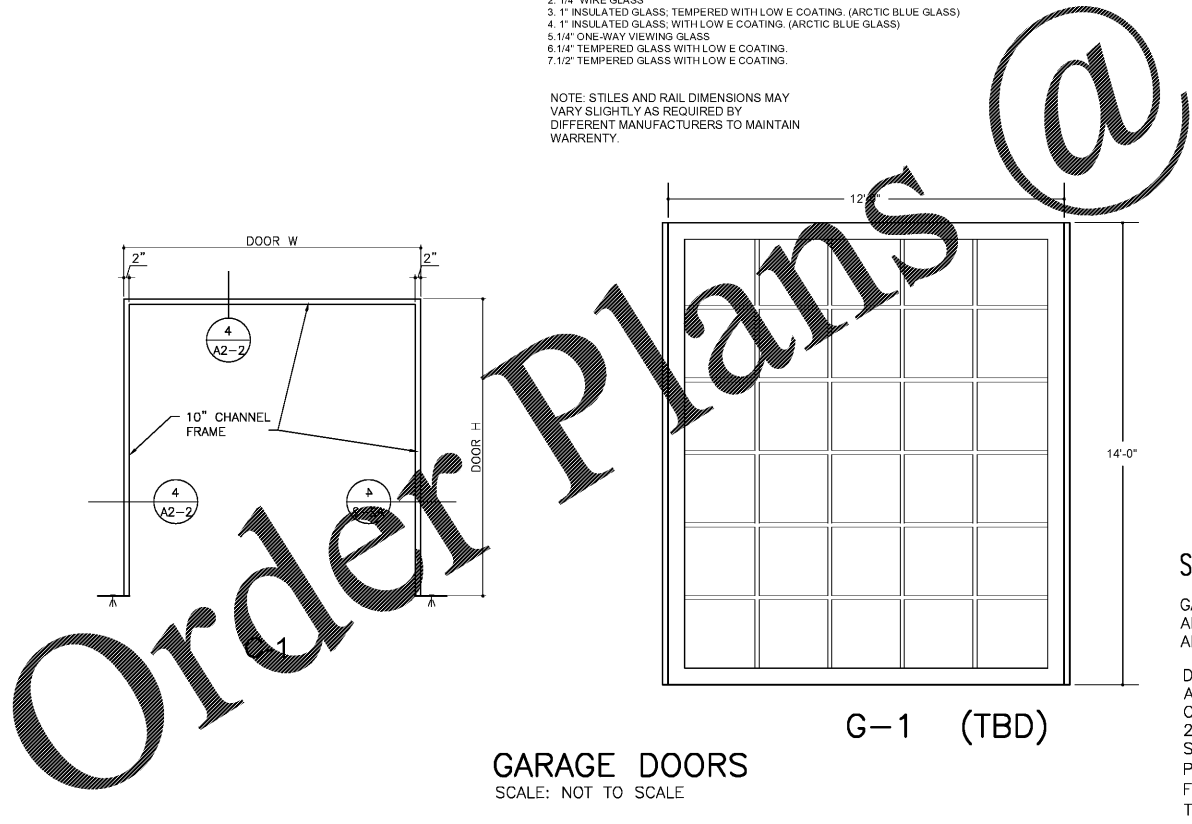
WINDOW A
 IFCA 3046E
 DESIGN BASED ON MARVIN INTEGRITY ULTRIX CASEMENT WINDOW



WINDOW A
 ANODIZED ALUMINUM STOREFRONT WITH ARCTIC BLUE GLASS



HANDICAP DOOR SIGNAGE
 NOT TO SCALE
 NOTE: VERIFY EXACT READING WITH ARCHITECT, MEN, WOMEN, UNSEX, ETC. LOCATE AT 52" A.F.F. ON THE PULL SIDE OF ALL TOILET DOORS THAT ARE H.C. ACCESSIBLE.

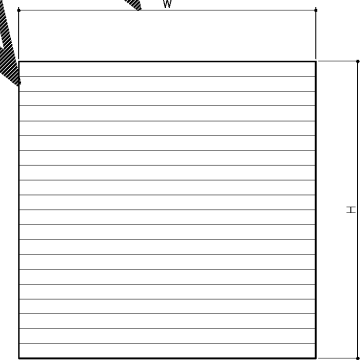


GARAGE DOORS
 SCALE: NOT TO SCALE

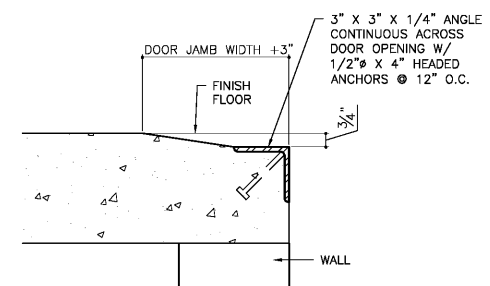
SUBMIT DETAILED SHOP DRAWINGS OF DOORS PRIOR TO FABRICATION

GARAGE DOOR WITH ANODIZED ALUMINUM FINISH ALL GLASS GARAGE DOOR
 DESIGN BASED ON Arm-R-Lite ELECTRA MODEL
 Contact: info@arm-r-lite.com
 2700 Hamilton Boulevard
 South Plainfield, NJ 07080
 Phone: (908) 754-2600
 Fax: (908) 754-6522
 Toll Free: (800) 554-5816

1. MANUFACTURER TO PROVIDE MOTOR FOR DOOR OPERATION. CONNECT TO LOW VOLTAGE SYSTEM SHOWN ON ELECTRICAL DRAWINGS.
2. PROVIDE WEATHERSTRIPPING ALL AROUND DOORS.



CD-1
 COILING DOOR
 WITH FUSABLE LINK BOTH SIDES OF WALL TIED TO SMOKE DETECTORS.
 2 HOUR RATED.
 PROVIDE 2 COILING DOORS.
 SEE FLOOR PLANS FOR SIZES.



FLOOR SLAB DETAILS AT DRIVE THRU TRUCK DOORS
 NTS

REVISIONS	
DATE	DESCRIPTION

PROJECT:
 VERNON ROAD FIRE STATION
 VERNON ROAD
 LAGRANGE GEORGIA

TITLE:
 DOOR / WINDOW TYPES

MODIFIED DATE:	JOB NO: 1731
ISSUED DATE: FOR BID AND PERMIT 07 MAY 2018	SHEET: A2-3

Order Plans @

WWW.LDCLINE.COM