

ARCHITECT'S STAMP

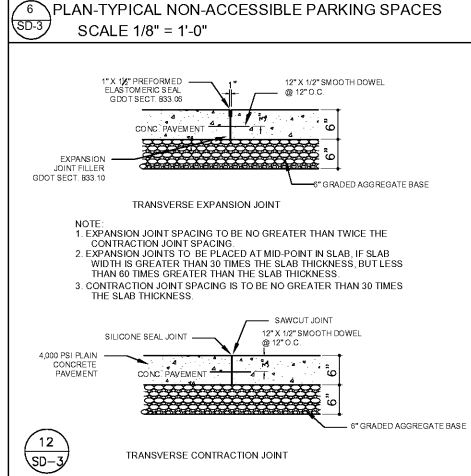
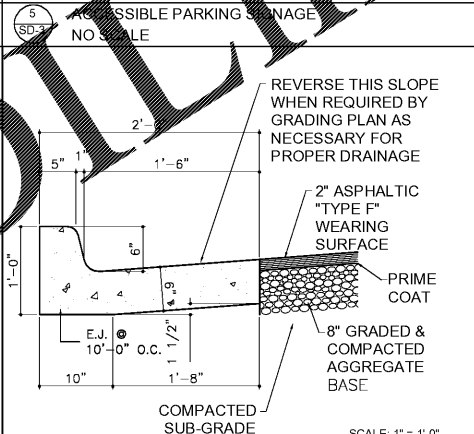
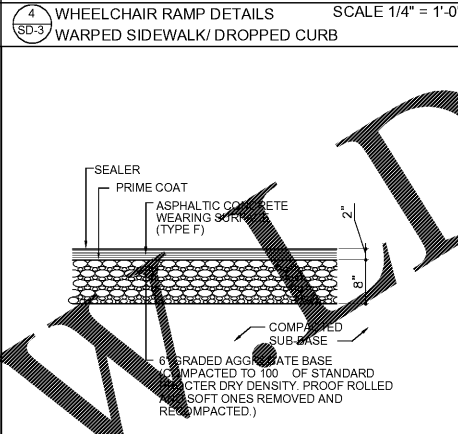
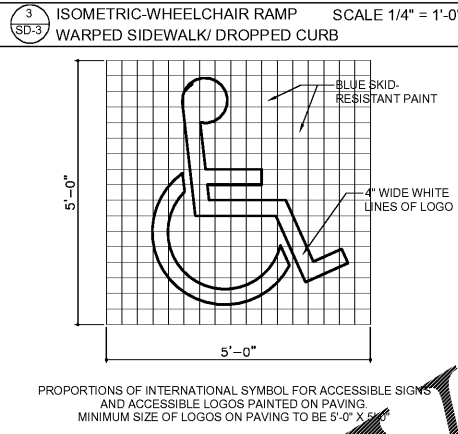
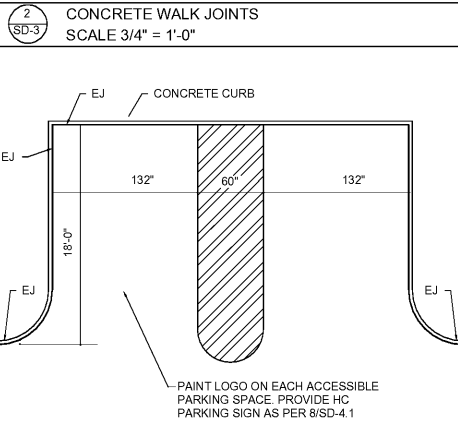
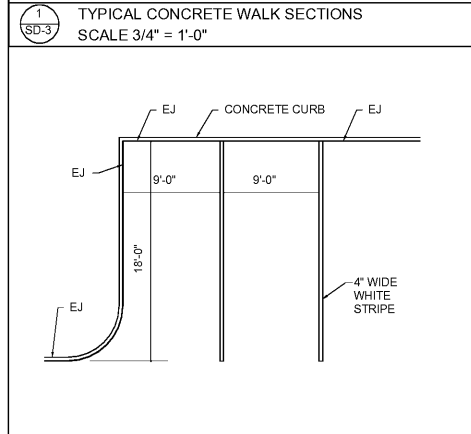
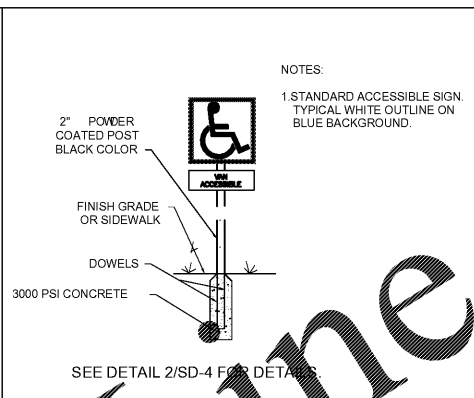
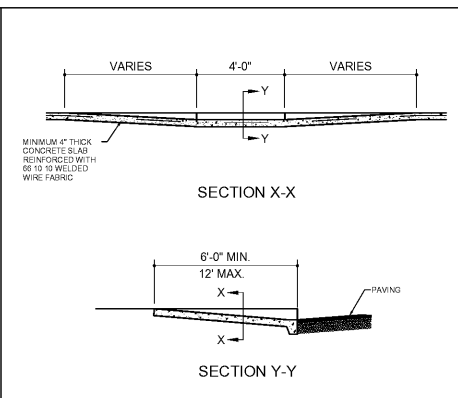
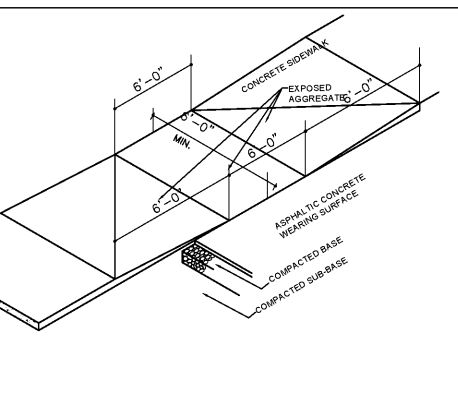
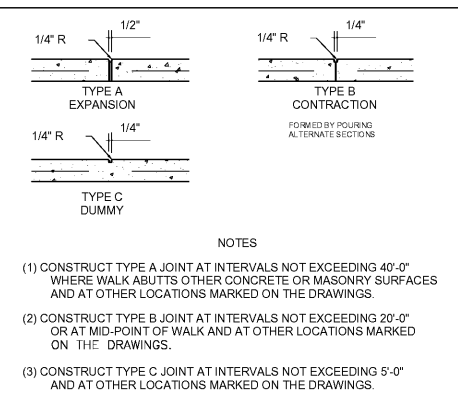
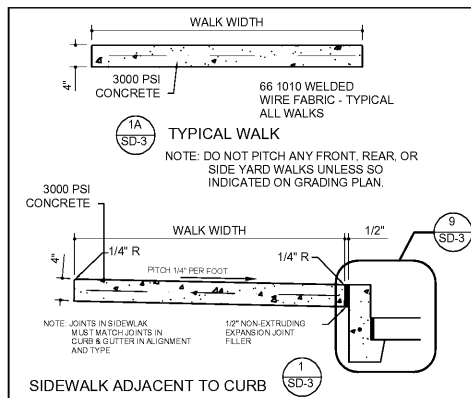


SIGNATURE REQUIRED

SMITH DESIGN GROUP, INC.

206 WEST HAZELSON STREET
LAGRANGE, GEORGIA 30240

770-252-5511 www.SDGarch.net



REVISIONS	
DATE	DESCRIPTION

PROJECT:
VERNON ROAD FIRE STATION
VERNON ROAD
LAGRANGE GEORGIA

TITLE:
SITE DETAILS

MODIFIED DATE:	JOB NO: 1731
ISSUED DATE: FOR BID AND PERMIT 07 MAY 2018	SHEET: SD-3

Order Plans @ WWW.DLINE.CC