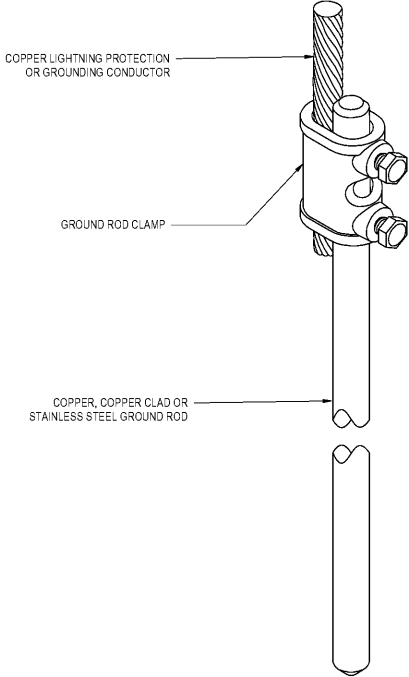
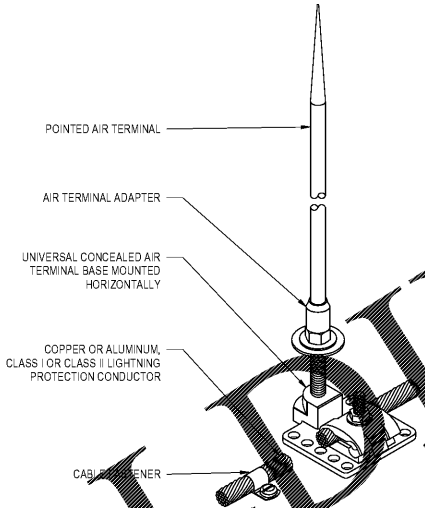


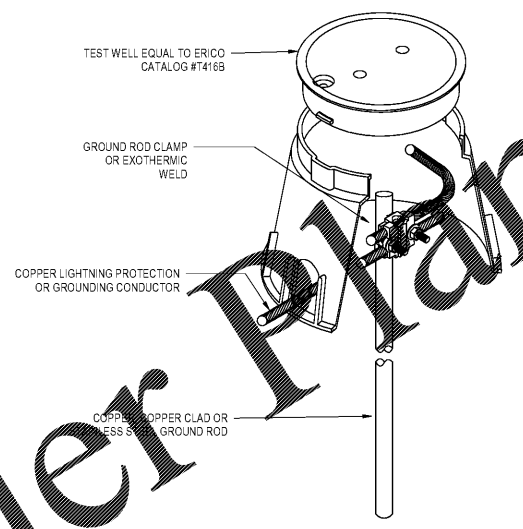
① CONCEALED DOWN CONDUCTOR DETAIL
NOT TO SCALE



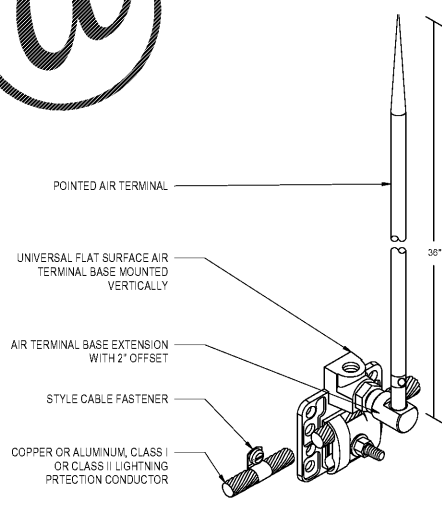
② GROUND ROD DETAIL
NOT TO SCALE



③ HORIZONTAL AIR TERMINAL BASE DETAIL
NOT TO SCALE



④ TEST WELL DETAIL
NOT TO SCALE



⑤ VERTICAL AIR TERMINAL BASE DETAIL
NOT TO SCALE

5/23/2018 8:02:27 AM

Order Plans

@

www.DownLine.com

| ISSUE | DATE |
|---------------|------------|
| ISSUE FOR BID | 2018.05.25 |
| | |
| | |
| | |
| | |
| | |
| | |
| | |
| | |
| | |
| | |

DRAWN BY: JTH
CHECKED BY: TAN

SIMULATION LABORATORY
BUILDING - USA JOB #16-07
MOBILE, ALABAMA
ABC #2017372
GMC # AMOB160019



ELECTRICAL LIGHTNING PROTECTION DETAILS
E607
Sheet 1 of 1