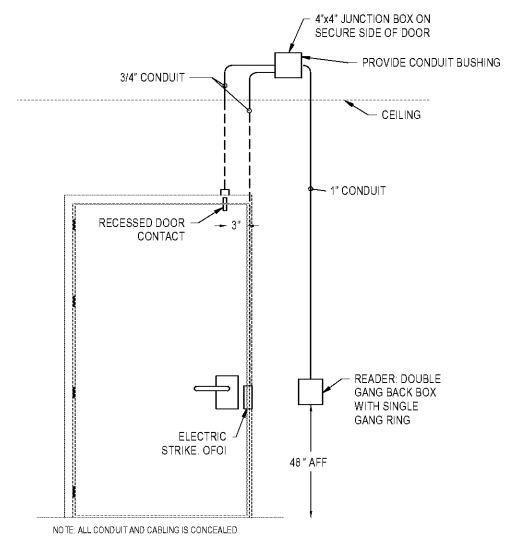
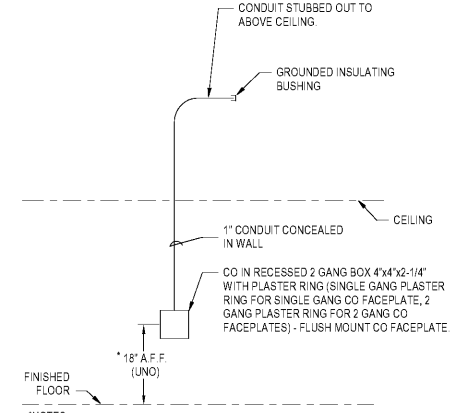


1 BURIED CONDUIT DETAIL
 NOT TO SCALE

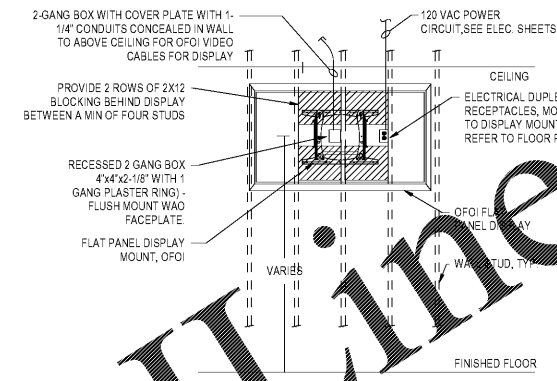


2 TYPICAL STRIKE LOCK W/ READER
 NOT TO SCALE

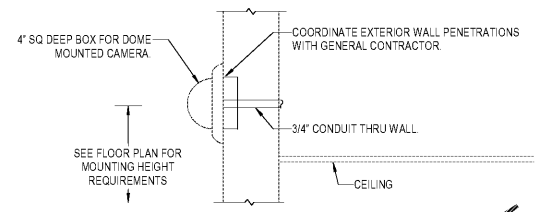


- *NOTES**
1. COMMUNICATIONS OUTLET (CO) MOUNTING HEIGHT MAY VARY AT CABINETS OR CASEWORK. LOCATE AND MOUNT CO'S AS DIRECTED BY ARCHITECT IN FIELD. MATCH HEIGHT OF ADJACENT ELECTRICAL POWER OUTLETS.
 2. MOUNTING HEIGHT OF COMMUNICATIONS OUTLET (CO) SHOWN TO BE MOUNTED ABOVE COUNTER (AC) SHALL BE COORDINATED WITH THE ARCHITECT AND THE GENERAL CONTRACTOR IN THE FIELD PRIOR TO ROUGH-IN.
 3. TYPICAL FOR COMMUNICATIONS OUTLETS, TV OUTLETS, WALL PHONES, UNLESS NOTED OTHERWISE. REFER TO FLOOR PLAN FOR SPECIAL MOUNTING HEIGHT REQUIREMENTS.

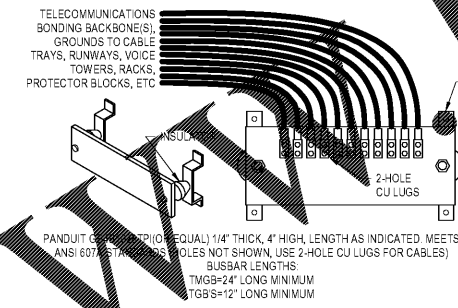
3 TYPICAL COMMUNICATIONS OUTLET (CO) MOUNTING DETAIL
 NOT TO SCALE



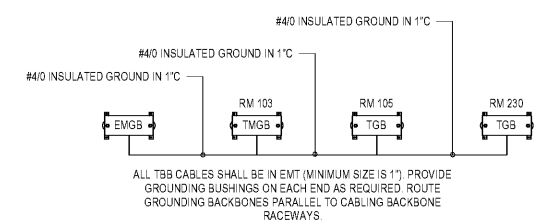
4 FLAT PANEL DISPLAY ROUGH-IN DETAIL
 NOT TO SCALE



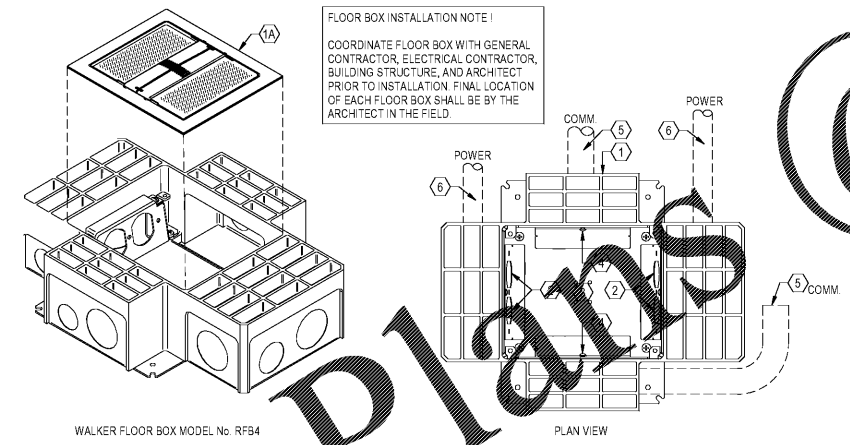
5 EXTERIOR WALL "WLL" CAMERA MOUNTING DETAIL
 NOT TO SCALE



6 TMGB/TGB DETAIL
 NOT TO SCALE

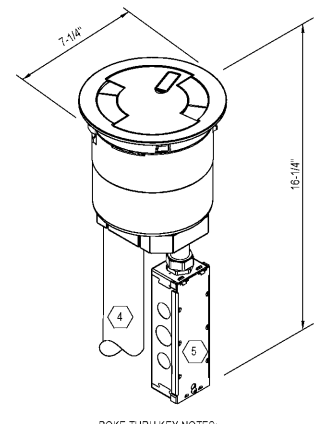


7 TELCOM GROUNDING SYSTEM RISER
 NOT TO SCALE



- FLOOR BOX KEY NOTES:**
1. BY ELECTRICAL CONTRACTOR: MULTI-SERVICE COMMUNICATION MEDIA FLOORBOX, WALKER IN FLOOR SYSTEMS RFB4 (4) COMPARTMENTS. ALLOW STAMPED STEEL COMMUNICATION BOX. INSTALL FLOOR BOX IN STRICT ACCORDANCE WITH THE MANUFACTURER'S PRINTED INSTRUCTIONS AND AS FOLLOWS: ASSEMBLE BOX SEAL SIDE AND IN THE BEAMS. BETWEEN BOX SECTIONS WITH DUCT TAPE CONCRETE TIGHT. SET BOX ON TOP OF VAPOR BARRIER AND LEVEL. SET BOX HEIGHT TO BE FLUSH WITH SLAB.
 2. BY ELECTRICAL CONTRACTOR: WALKER FLANGED ACTIVATION KIT S36CCTCAL WITH DIE-CAST ALUMINUM TRIM RINGS, DIE CAST WITH TEXTURED ALUMINUM COATED FINISH AND FLOORING INSERT AREAS FOR CARPET INSERTS.
 3. BY ELECTRICAL CONTRACTOR: STANDARD DUPLEX RECEPTACLE PLATE WITH (2) 120 VAC OUTLET RECEPTACLES. SEE ELECTRICAL PLANS FOR CIRCUITING REQUIREMENTS.
 4. BY ELECTRICAL CONTRACTOR: PROVIDE BLANK COVER PLATE FOR ALL UNUSED OPENINGS.
 5. BY STRUCTURED CABLING SYSTEM CONTRACTOR: PROVIDE COMMUNICATIONS OUTLET COUPLERS & JACKS AS REQUIRED. REFER TO FLOOR PLANS FOR COMMUNICATION OUTLET TYPES.
 6. BY ELECTRICAL CONTRACTOR: 1" COMMUNICATIONS AV SYSTEMS CONDUIT, RUN SCHEDULE 40 PVC (IN SLAB) TO NEAREST WALL, CONVERT TO EMT AT 4" ABOVE SLAB, AND EXTEND TO ABOVE ACCESSIBLE CEILING.
 7. BY ELECTRICAL CONTRACTOR: POWER CONDUIT WITH WATERTIGHT FITTINGS, SEE ELECTRICAL DRAWINGS AND SPECIFICATIONS.

8 TYPICAL MULTIMEDIA FLOOR BOX DETAIL
 NOT TO SCALE



- POKE THRU KEY NOTES:**
1. BY ELECTRICAL CONTRACTOR: POWER/DATA POKE THRU WITH RECESSED FITTINGS, PIN WIREMOLD EVOLUTION SERIES 6AT. PROVIDE FITTINGS AS REQUIRED AND INSTALL POKE THRU IN STRICT ACCORDANCE WITH THE MANUFACTURER'S PRINTED INSTRUCTIONS. FINISH SHALL BE BRUSHED NICKEL.
 2. BY ELECTRICAL CONTRACTOR: STANDARD DUPLEX RECEPTACLE PLATE WITH (1) 120 VAC OUTLET RECEPTACLE PROVIDED WITH POKE THRU. SEE ELECTRICAL PLANS FOR CIRCUITING REQUIREMENTS. PROVIDE (WIREMOLD PIN 682A) DEVICE MOUNTING PLATE ON THE OTHER SIDE. PROVIDE (WIREMOLD 6MAAP2A) DEVICE MOUNTING PLATE IN CENTER IF DATA REQUIREMENTS ARE TO EXCEED (2) RJ45 OUTLETS, OTHERWISE PROVIDE (WIREMOLD 68) BLANK-OFF PLATE.
 3. BY STRUCTURED CABLING SYSTEMS CONTRACTOR: INSTALL KEYSTONE DATA/VOICE JACKS INSIDE 682A DEVICE MOUNTING PLATE. INSTALL KEYSTONE/VOICE JACK INSIDE 6MAAP2A CENTER MOUNTING PLATE AND PROVIDE (EXTRON IN368T) BLANK MAAP PLATES AS NECESSARY. TERMINATE JACKS ON REQUIRED CABLING. REFER TO FLOOR PLANS FOR COMMUNICATION OUTLET TYPES.
 4. BY ELECTRICAL CONTRACTOR: PROVIDE BOTTOM HOUSING ASSEMBLY (PIN WIREMOLD 1520HA) WITH CONDUIT ADAPTER FOR (1) 1-1/2" CONDUIT. CONNECTION EXTEND CONDUIT FROM CONNECTION AND ROUTE UP NEAREST WALL TO ABOVE CEILING IN ROOM SERVED. DATA/VOICE AND AV CABLING TO BOTH BE RAN IN THIS CONDUIT. COORDINATE WITH STRUCTURED CABLING SYSTEM CONTRACTOR FOR CABLE ROUTING.
 5. BY ELECTRICAL CONTRACTOR: CONNECT POWER CONDUIT WITH FITTINGS, SEE ELECTRICAL DRAWINGS AND SPECIFICATIONS.
 6. BY AUDIO/VISUAL CONTRACTOR: PROVIDE CABLING FACEPLATE IN CENTER MOUNT WITH CABLING AS NECESSARY UNLESS OTHERWISE NOTED ON DRAWINGS. SEE SINGLE LINES FOR FURTHER SPECIFICATION.

9 TYPICAL MULTIMEDIA POKE THRU DETAIL
 NOT TO SCALE

ISSUE	DATE
ISSUE FOR BID	2018.05.25

SIMULATION LABORATORY
 BUILDING - USA JOB #16-07
 MOBILE, ALABAMA
 ABC #2017372
 GMC # AMOB160019



SYSTEMS DETAILS
E606
 Sheet of