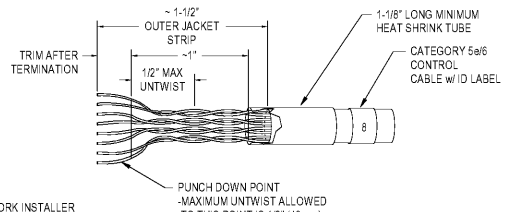


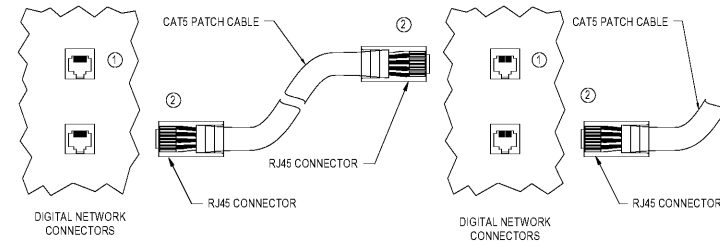
TIA/EIA-568-B CABLEING STANDARD TERMINATION			
FUNCTION	PAIR #	PIN OUT (T568B)	WIRE COLOR
(T1)	1	5	WHITE w/ BLUE BLUE
Tx + (T2)	2	1	WHITE w/ ORANGE ORANGE
Rx + (T3)	3	3	WHITE w/ GREEN GREEN
(T4)	4	7	WHITE w/ BROWN BROWN



TERMINATION & TESTING OF CAT5/6 CABLES MUST BE DONE BY A QUALIFIED NETWORK INSTALLER

CABLE TERMINATION REQUIREMENTS:

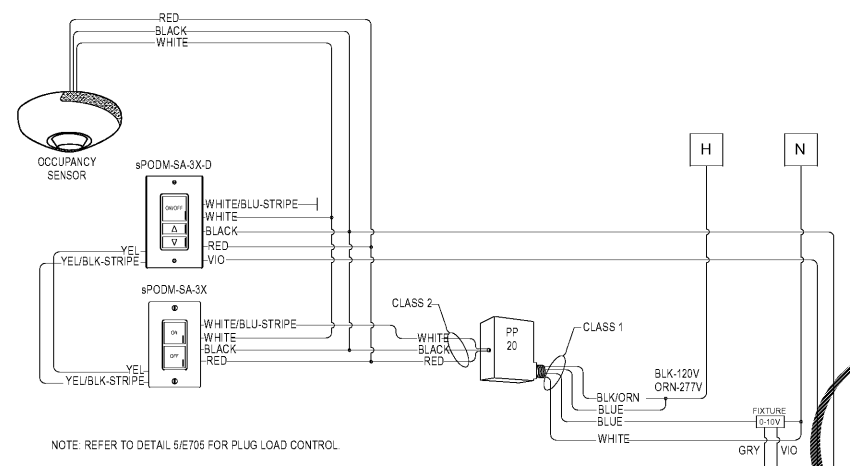
- STRIP OFF OUTER JACKET - APPROX 1-1/2"
- FIT A PIECE OF 1-1/8" LONG HEAT SHRINK TUBE OVER THE CABLE EXTENDING OUT 1/4" FROM OUTER JACKET
- TERMINATE APPROX 1/2" FROM END OF CONDUCTORS ON TYPE 110 PUNCH DOWN BLOCK OR CONNECTOR PER SCHEDULE (T568B) - MAXIMUM UNTWIST OF CONDUCTORS TO TERMINATIONS IS 1/2" - TRIM EXCESS LEADS
- SHRINK TUBING AND ADD APPROPRIATE ID LABEL TO THE CABLE AT THE END OF THE HEAT SHRINK TUBE. SEE SYSTEM SPECIFIC NOTES ON SHEET LC01 FOR MAXIMUM CABLE LENGTHS



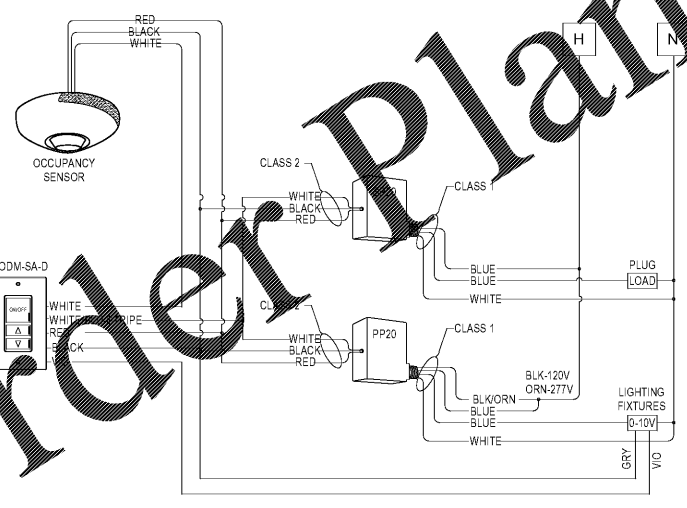
- RJ45 FEMALE CONNECTOR
- RJ45 MALE CONNECTORS. ALL CABLES SUPPLIED BY CONTRACTOR

NOTES:
DAISY-CHAIN CAT5/6 PATCH CABLE WITH RJ45 CONNECTORS FROM DIGITAL DEVICE TO DIGITAL DEVICE
REFER TO MANUFACTURERS INSTRUCTIONS FOR LONG DISTANCE RUNS BETWEEN DIGITAL DEVICES
CRIMP AND TEST EACH CABLE WITH A LAN CIRCUIT TESTER PRIOR TO INSTALLATION

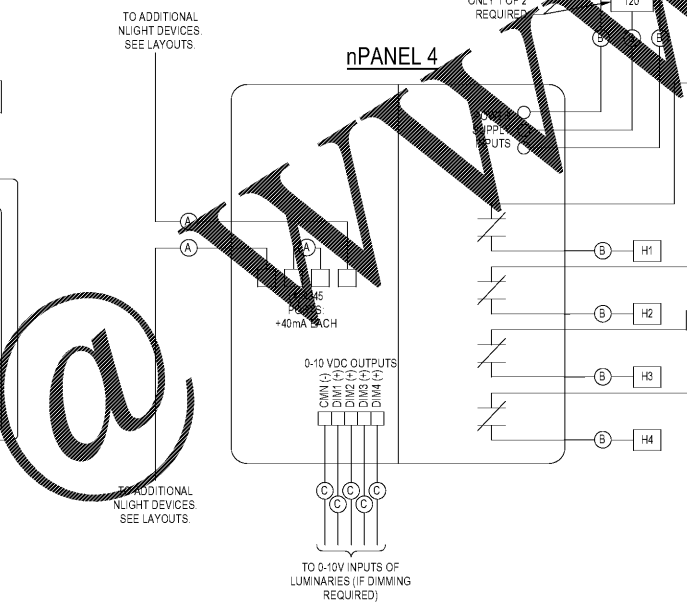
1 CAT5E/6 CABLE TERMINATION
NOT TO SCALE



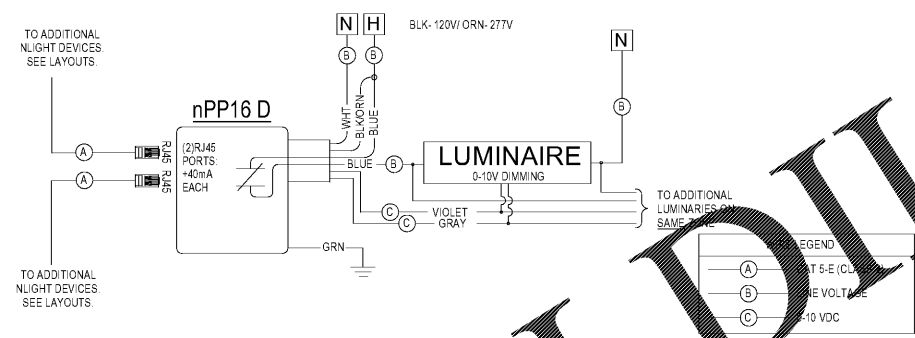
3 3-WAY DIMMING CONTROL
NOT TO SCALE



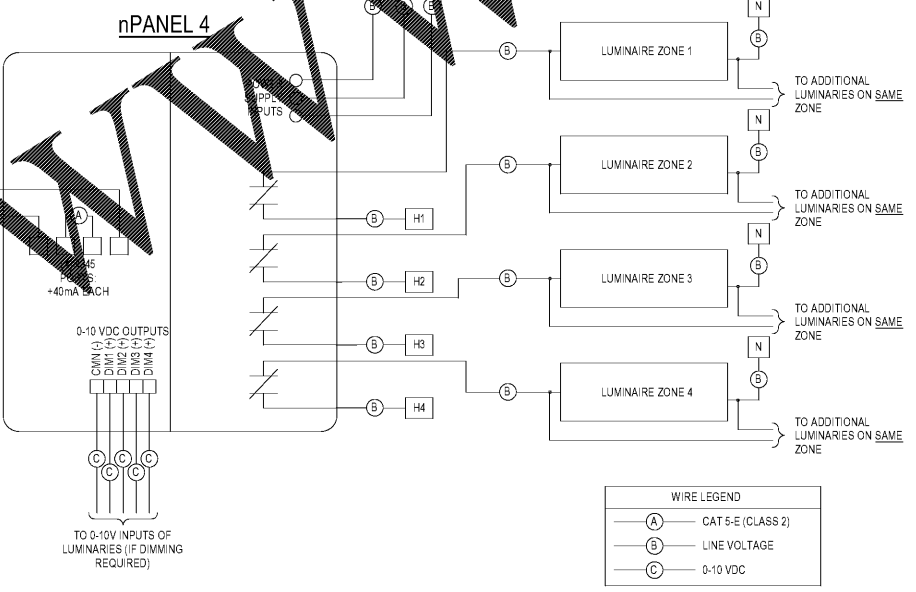
5 DIMMING OCCUPANCY SENSOR W/ PLUG LOAD
NOT TO SCALE



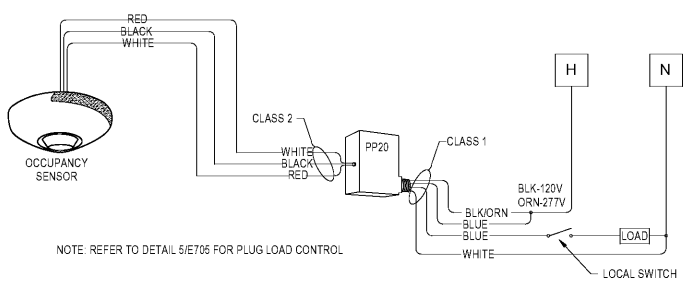
6 OCCUPANCY SENSOR W/O PLUG LOAD
NOT TO SCALE



2 TYPICAL nLIGHT RELAY WIRING DIAGRAM
NOT TO SCALE



4 nLIGHT nPANEL 4 DETAIL
NOT TO SCALE



7 PIR DIMMING CONTROL W/ PLUG LOAD
NOT TO SCALE



2701 1st Avenue S
Birmingham, AL 35233
T 205.879.4462
ONCNETWORK.COM

ISSUE DATE	ISSUE FOR BID
2018.05.25	

SIMULATION LABORATORY
BUILDING - USA JOB #16-07
MOBILE, ALABAMA
ABC #2017372
GMC # AMOB160019



ELECTRICAL LIGHTING CONTROL DETAILS
E602

5/23/2018 8:02:13 AM

Order Plans

www.LDLine.com