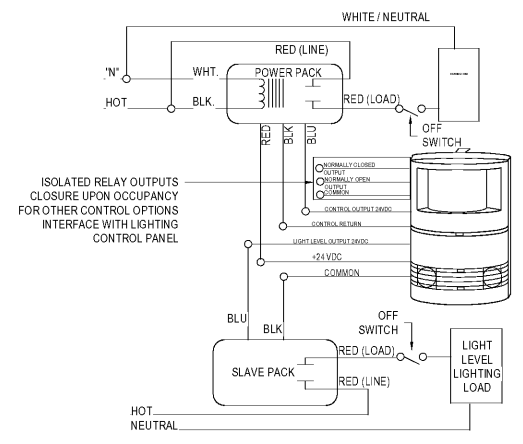
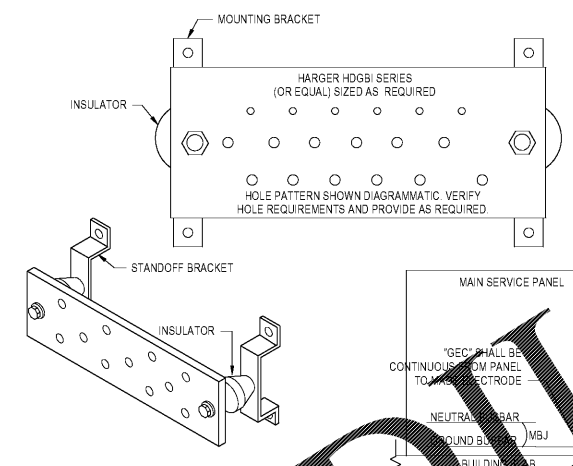


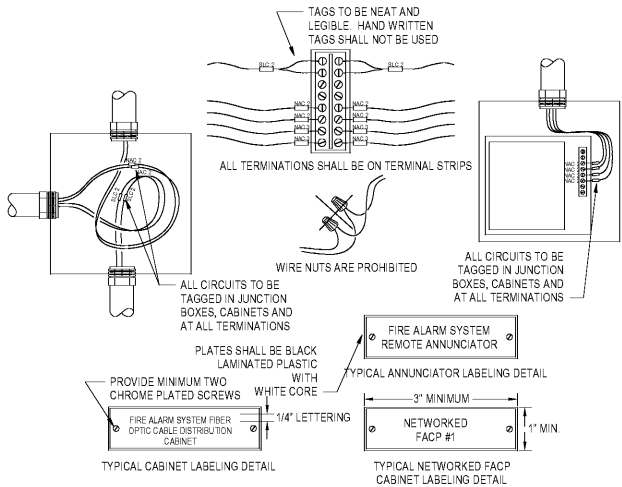
1 DUAL TECHNOLOGY MOUNTING
NOT TO SCALE



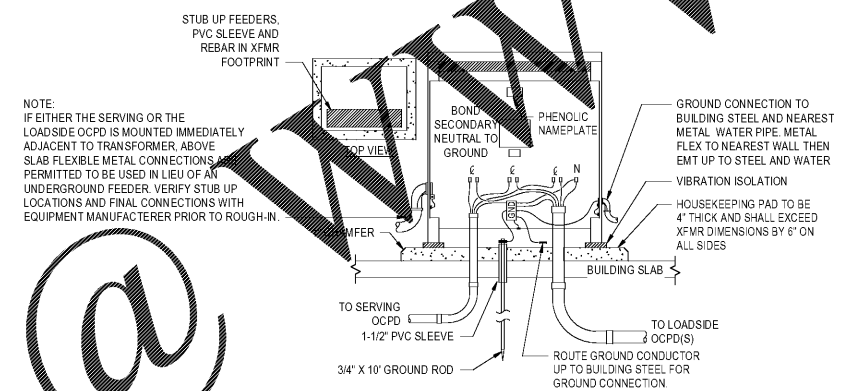
2 DUAL TECHNOLOGY SENSOR
NOT TO SCALE



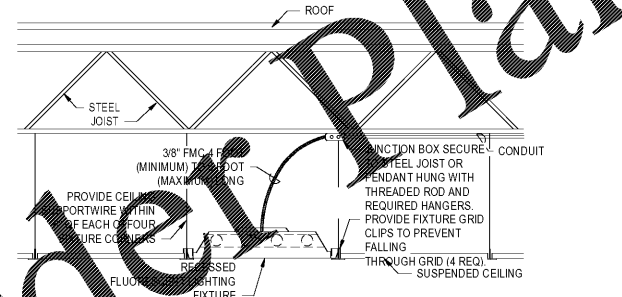
3 GROUNDING BUSBAR DETAIL
NOT TO SCALE



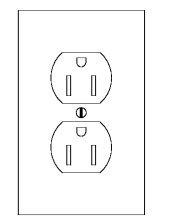
4 FIRE ALARM SYSTEM LABELING DETAIL
NOT TO SCALE



5 FLOOR MOUNTED TRANSFORMER DETAIL
NOT TO SCALE



6 TYPICAL FIXTURE INSTALLTION DETAIL
NOT TO SCALE



7 TYPICAL RECEPTACLE MOUNTING DETAIL
NOT TO SCALE

ISSUE DATE	ISSUE FOR BID
2016.05.25	

SIMULATION LABORATORY
BUILDING - USA JOB #16-07
MOBILE, ALABAMA
ABC #2017372
GMC # AMOB160019



ELECTRICAL DETAILS
E601
Sheet 1 of 1