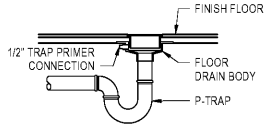
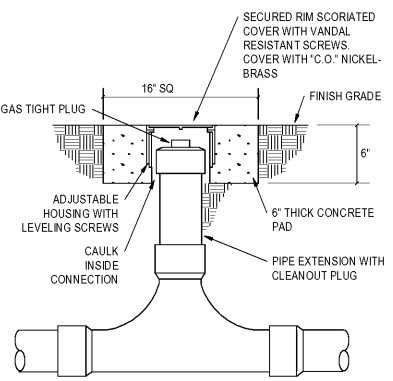


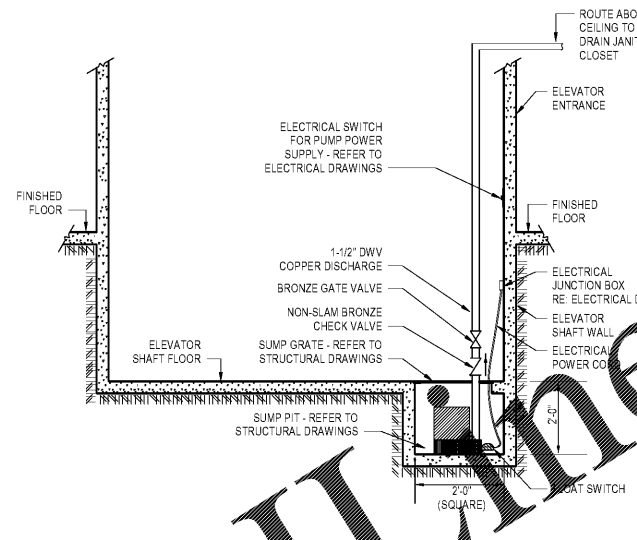
1 CLEANOUT TO FLOOR DETAIL
NOT TO SCALE



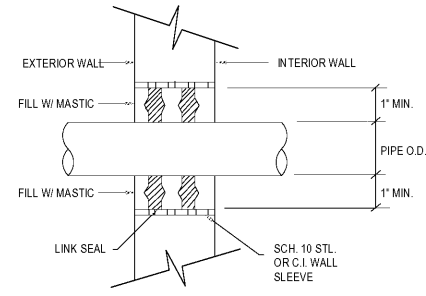
2 FLOOR DRAIN WITH TRAP PRIMER DETAIL
NOT TO SCALE



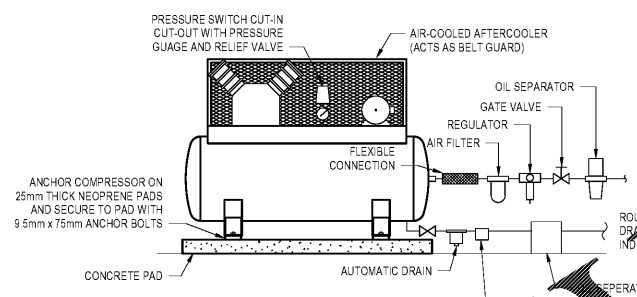
3 CLEANOUT TO GRADE
NOT TO SCALE



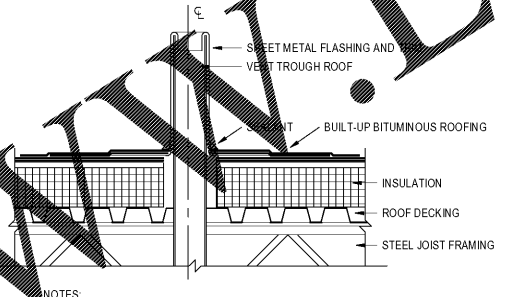
4 ELEVATOR SUMP PUMP DETAIL
NOT TO SCALE



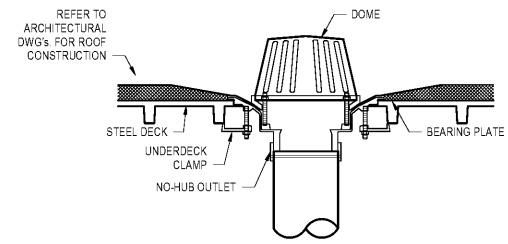
5 EXTERIOR WALL SLEEVE
NOT TO SCALE



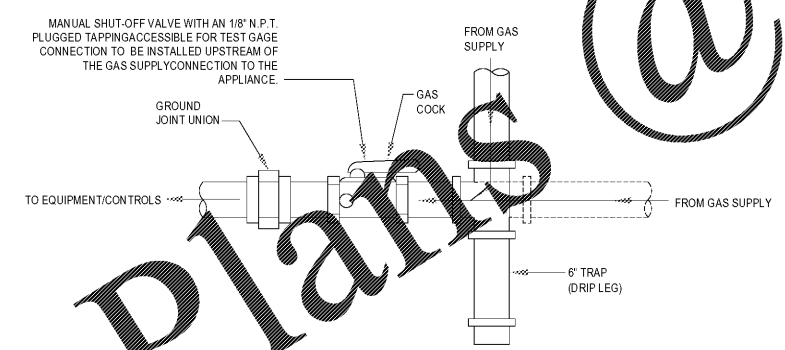
6 AIR COMPRESSOR W/AIR DRYER DETAIL
1/8\"/>



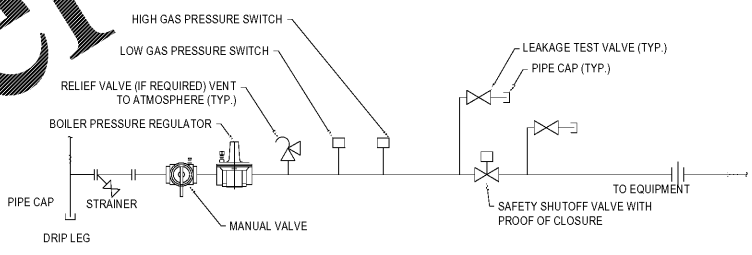
7 VENT THROUGH ROOF
NOT TO SCALE



8 ROOF DRAIN DETAIL
NOT TO SCALE



9 GAS CONNECTION TO EQUIPMENT
NOT TO SCALE



10 NATURAL GAS TRAIN ASME CSD-1 DIAGRAM
NOT TO SCALE

NATURAL GAS TRAIN CSD-1 DIAGRAM NOTES:
1. GAS SOLENOID SHUT-OFF VALVE - COORDINATE SHUTOFF VALVE POWER REQUIREMENT WITH ELECTRICAL
2. GAS TRAIN AND REGULATOR AS SHOWN IN THIS DIAGRAM, SHALL BE COORDINATED WITH GWH MFR.

SCHMIDT CONSULTING GROUP, INC.
MECHANICAL ELECTRICAL STRUCTURAL COMMUNICATIONS INDUSTRIAL
ALABAMA LICENSE NUMBER 25171
WILLIAM JOSEPH JONES P.E.
ALABAMA LICENSE NUMBER 25171
SCG PROJECT 2016-151

2701 1st Avenue S
Birmingham, AL 35233
T 205.879.4462
GMCNETWORK.COM

| ISSUE DATE | ISSUE FOR BID |
|------------|---------------|
| 2016.05.25 | |

SIMULATION LABORATORY
BUILDING - USA JOB #16-07
MOBILE, ALABAMA
ABC #2017372
GMC # AMOB160019



PLUMBING DETAILS

P5.01
sheet of