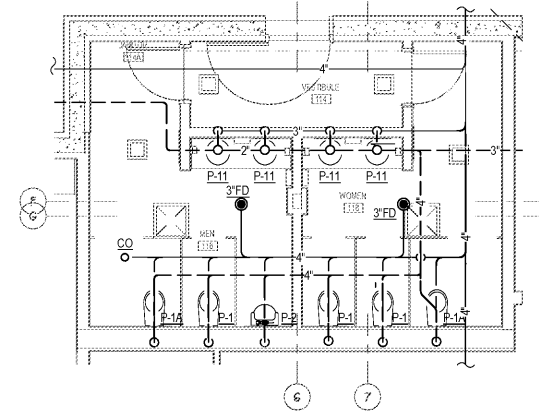
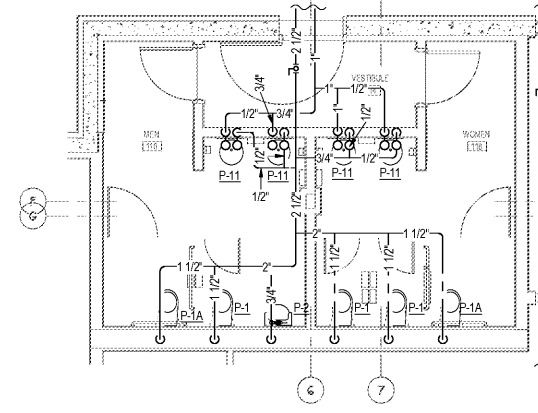


SHEET NOTES

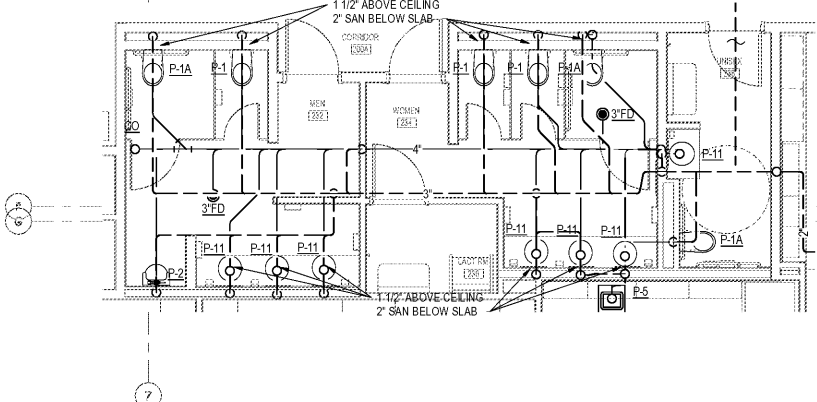
- 1 MECHANICAL EQUIPMENT SHOWN FOR COORDINATION ONLY.
- 2 PROVIDE AUTOMATIC GAS SHUTOFF VALVE IN THE VERTICAL PIPE PRIOR TO GOING UP TO THE SECOND FLOOR. ALL GAS SHUTOFF VALVE SHALL BE MOTION SENSIBLE AND SHALL ACTIVATE ON MOVEMENT IN THE UTILITY. THE MOVEMENT THRESHOLD FOR SHUTOFF VALVE SHALL BE ACCORDANCE WITH INTERNATIONAL BUILDING CODE.
- 3 ELECTRICAL PANELS SHOWN FOR COORDINATION.
- 4 CW, HW, G, VAC, AND CA PIPES PENETRATING STORM SHELTER WALL SHALL BE OPENED AND PROVIDED WITH METAL SHIELD TO PROTECT OPENING DURING A STORM EVENT. REFER TO DETAIL 7 ON SHEET P5.02. REFER TO P2.01 FOR LOCATION OF SHELTER EXTENTS.
- 5 PROVIDE QTY. 12, 5 GAL WATER BOTTLES TO BE STORED USED AS DOMESTIC WATER SUPPLY IN THE EVENT OF A STORM.
- 6 FLOOR DRAIN FOR SUMP PUMP. ROUTE DRAIN FROM FLOOR DRAIN TO OIL WATER SEPARATOR.



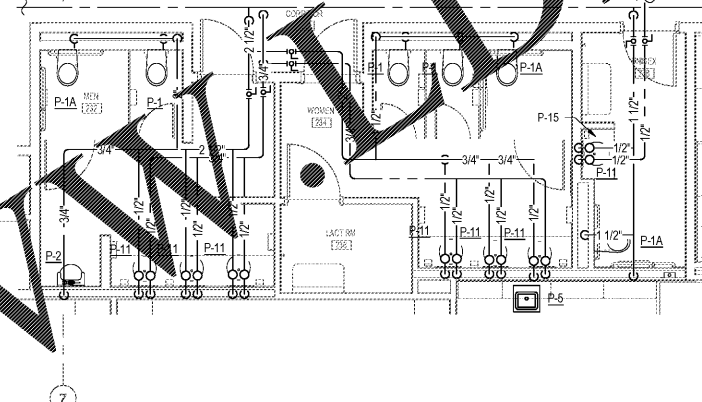
1 ENLARGED SANITARY AND VENT PLAN
1/4" = 1'-0"



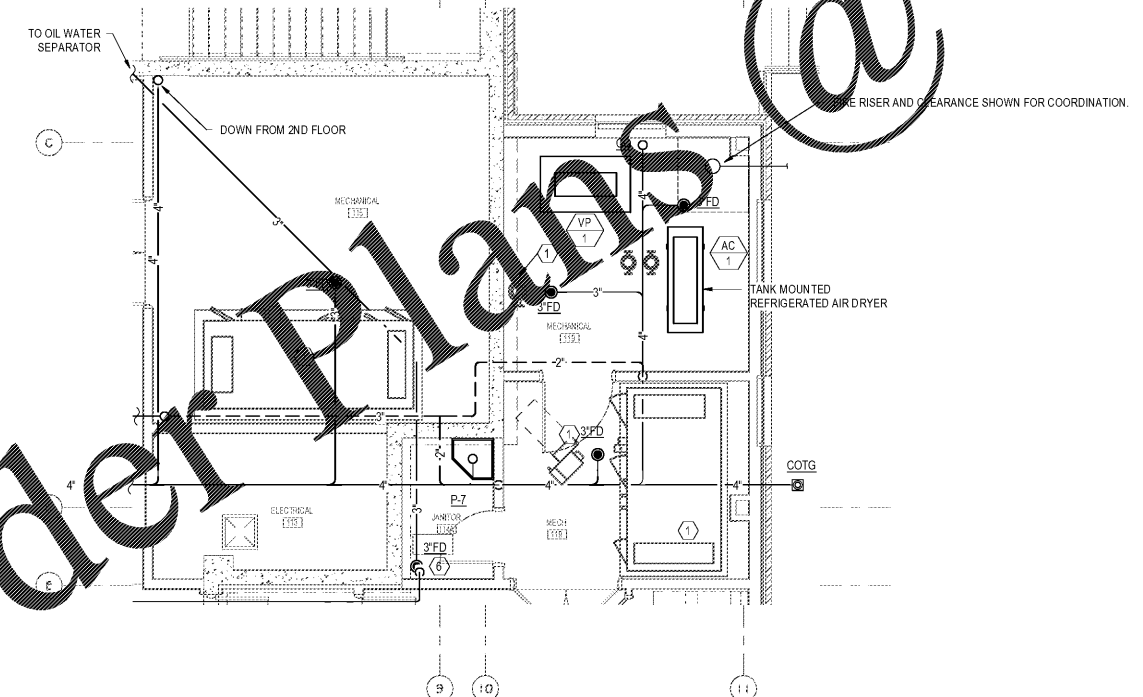
2 ENLARGED DOMESTIC WATER PLAN
1/4" = 1'-0"



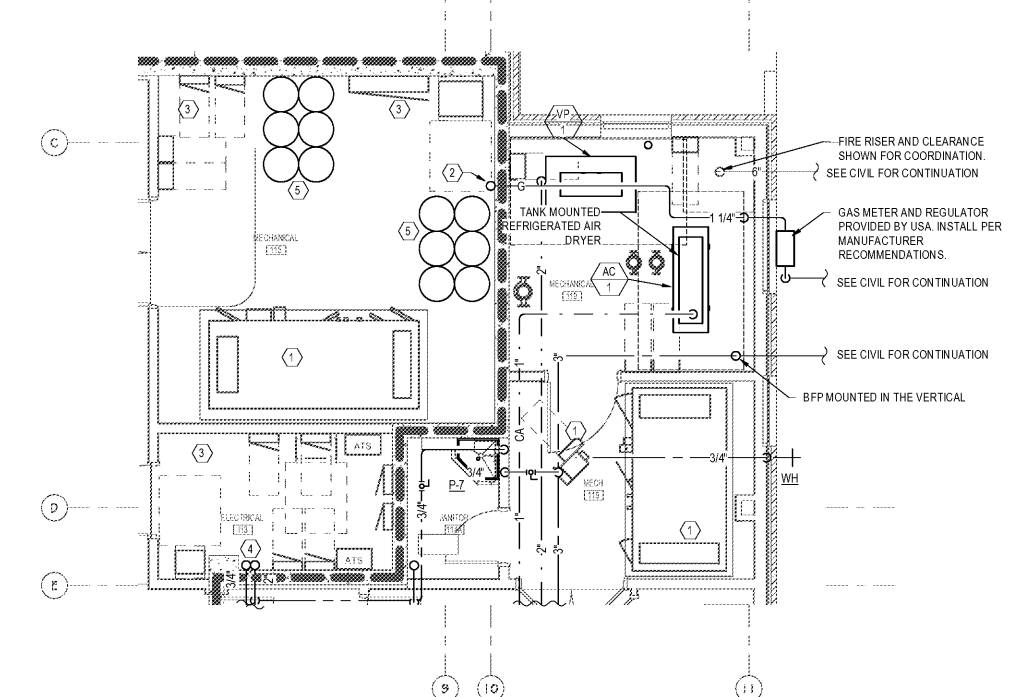
3 ENLARGED SANITARY AND VENT PLAN
1/4" = 1'-0"



4 ENLARGED DOMESTIC WATER PLAN
1/4" = 1'-0"



5 ENLARGED SANITARY AND VENT PLAN
1/4" = 1'-0"



6 ENLARGED CW, HW, G, VAC, AND CA PLAN
1/4" = 1'-0"

ISSUE DATE	ISSUE FOR
2018.05.25	BID

SIMULATION LABORATORY
BUILDING - USA JOB #16-07
MOBILE, ALABAMA
ABC #2017372
GMC # AMOB160019



ENLARGED PLUMBING PLAN
P3.01
Sheet of

Order Plans @ WWW.DIPLINE.COM