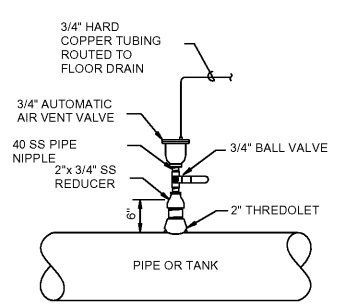
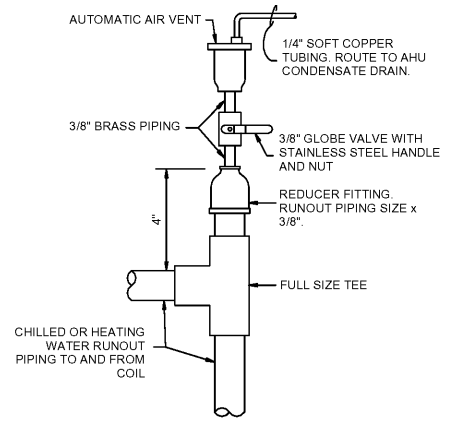


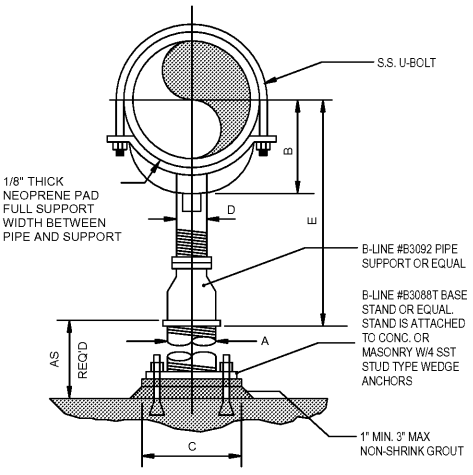
**1** TYPICAL VAV TERMINAL UNIT SUPPORT  
NOT TO SCALE



**2** AUTOMATIC AIR VENT DETAIL  
NOT TO SCALE



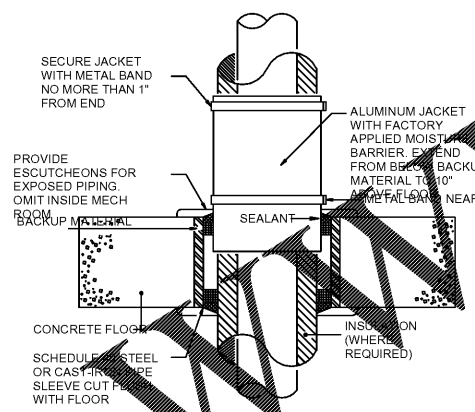
**3** HYDRONIC CHILLED AND HOT WATER PIPE EXTERIOR WALL PENETRATION DETAIL  
NOT TO SCALE



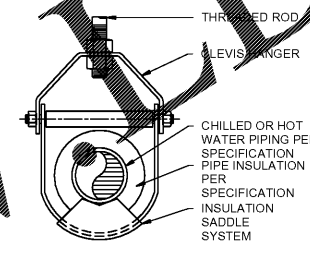
**4** FLOOR PIPE SUPPORT DETAIL  
NOT TO SCALE

PIPE SIZE	A	B	C	D	E	
					MIN.	MAX.
2 1/2	2 1/2	3 1/2	9	1 1/2	8	13
3	2 1/2	3 3/4	9	1 1/2	8 1/4	13 1/4
3 1/2	2 1/2	4	9	1 1/2	8 1/2	13 1/2
4	3	4 1/4	9	2 1/2	9 1/4	14
5	3	4 7/8	9	2 1/2	10	14 3/4
6	3	5 1/2	9	2 1/2	10 1/2	15 1/4
8	3	6 7/8	9	2 1/2	11 3/4	16 1/2
10	3	8 1/2	9	2 1/2	13 1/2	18 1/4

- KEYNOTES:**
- PROVIDE HALF ROUND RIGID INSULATION & INSULATION PROTECTION SHIELD, SIMILAR TO GRINNELL FIG. 167 OR ELCEN FIG. 219 WHEN PIPING IS INSULATED.
  - FOR BASE, HEIGHT, & FLANGE DIMENSIONS, SEE TABLE TO RIGHT. ALL DIMENSIONS IN INCHES.
  - ALL COMPONENTS OF PIPE SUPPORT SHALL BE STAINLESS STEEL.



**5** FLOOR PIPE PENETRATION DETAIL  
NOT TO SCALE

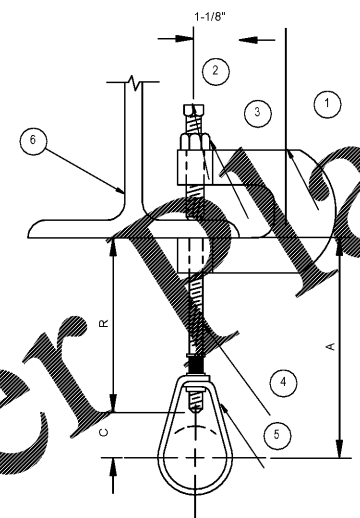


**6** OVERHEAD CHILLED/HOT WATER PIPING SUPPORT DETAIL  
NOT TO SCALE

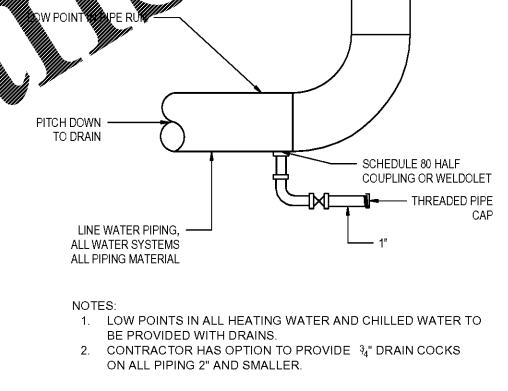
**DESIGN DATA FOR C-CLAMP HANGER**

NOMINAL PIPE SIZE	MINIMUM DIMENSION A	HANGER TAKEOUT	ROD DIAMETER
	INCHES	INCHES	INCHES
1/2	3 1/2	-1 1/4	3/8
3/4	3 1/2	-1 1/4	3/8
1	3 1/2	-1 1/4	3/8
1 1/4	3 3/4	-1 1/2	3/8
1 1/2	4	-1 1/2	3/8
2	4 1/4	-1 3/4	3/8
2 1/2	5	-2 1/4	3/8
3	5 1/2	-2 1/2	3/8
4	6	-3	3/8
5	6 3/4	-3 3/4	1/2
6	7 3/4	-4 1/2	1/2
8	9 1/4	-1/2	1/2

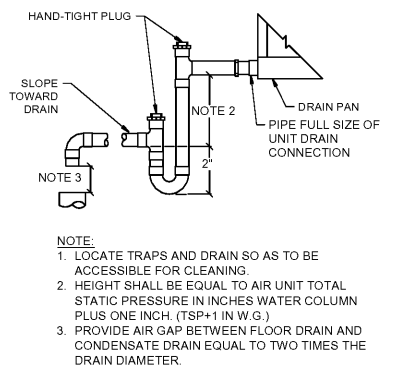
- COMPONENTS:**
- C-CLAMP
  - SET SCREW
  - LOCK NUT
  - HANGER ROD
  - ADJUSTABLE HANGER RING
  - STEEL BEARING BAR/POST



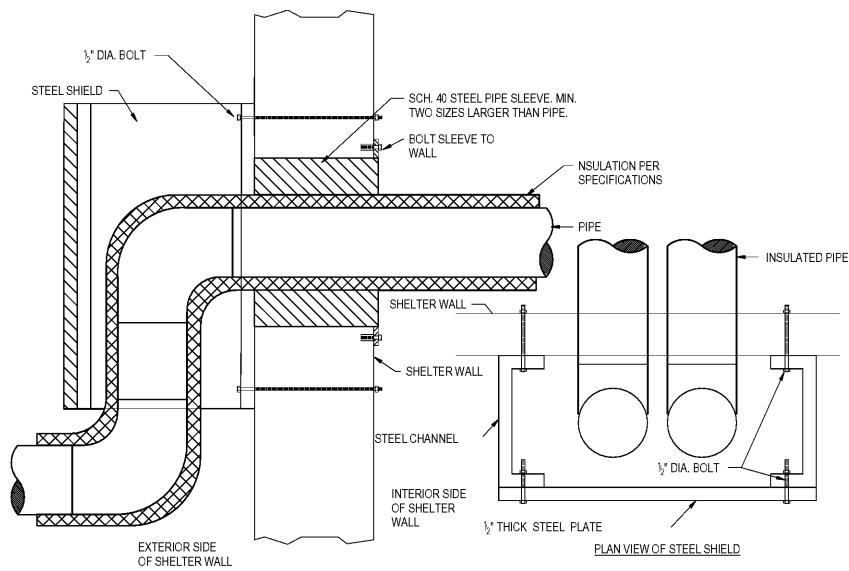
**7** STANDARD C-CLAMP PIPE HANGER DETAIL  
NOT TO SCALE



**8** PIPING DRAIN DETAIL  
NOT TO SCALE



**9** CONDENSATE DRAIN TRAP DETAIL  
NOT TO SCALE



**10** SHELTER WALL PIPE PENETRATION DETAIL  
NOT TO SCALE

