

ANGLE IRON SCHEDULE	
WIDTH	ANGLE SIZE
31" THRU 42"	1-1/2" x 1-1/2" x 1/8"
43" THRU 60"	1-1/2" x 1-1/2" x 1/8"
61" THRU 84"	2" x 2" x 1/4"
85" & OVER	2" x 2" x 1/4"

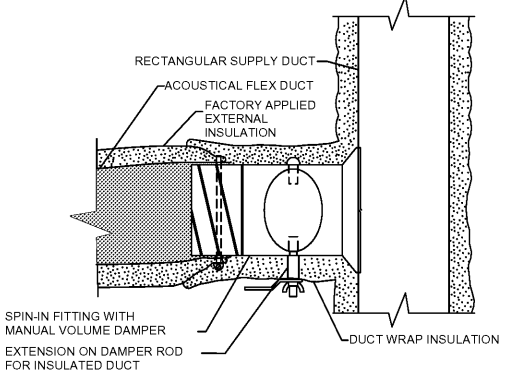
HANGER STRAPS OR RODS			
MAX. DUCT (IN)	QUANTITY/SIZE (IN)	MAX. LOAD (LBS)	MAX. SPACING (IN)
26	ONE 1 x 22 GA STRAP	260	120
36	ONE 1 x 18 GA STRAP	420	120
50	ONE 1 x 16 GA STRAP	700	120
60	TWO 3/8 DIA. RODS	1320	120
84	TWO 1/2 DIA. RODS	2500	120

NOTE: TABULATED DATA FROM SMACNA, ALLOWS FOR DUCT REINFORCING AND INSULATION, BUT NO EXTERNAL LOAD.

DUCT SCHEDULE				
1/2 DUCT PERIMETER (P/2)	GAUGE	HANGERS	MAXIMUM HANGER SPACING	JOINTS
30"	26	1"-22 GAUGE	10'-0" (TYPE 1)	FLAT "S" & DRIVE SLIP
72"	24	1/8 GAUGE	10'-0" (TYPE 1)	STANDING "S"
96"	20	1/8 GAUGE	10'-0" (TYPE 2)	STANDING "S"
120"	20	1/2" GAUGE OR 1/2" ROD	10'-0" (TYPE 2)	STANDING "SR"
168"	18	1/2" GAUGE OR 1/2" ROD	10'-0" (TYPE 2)	STANDING "SR"

NOTE: 1. WHERE SCHEDULE CONFLICTS WITH MORE STRINGENT SMACNA DUCT CONSTRUCTION STANDARD, SMACNA SHALL BE USED.
2. UTILIZE RECTANGULAR DUCT INSTALLATION INSTRUCTIONS FOR FLAT OVAL DUCTWORK.

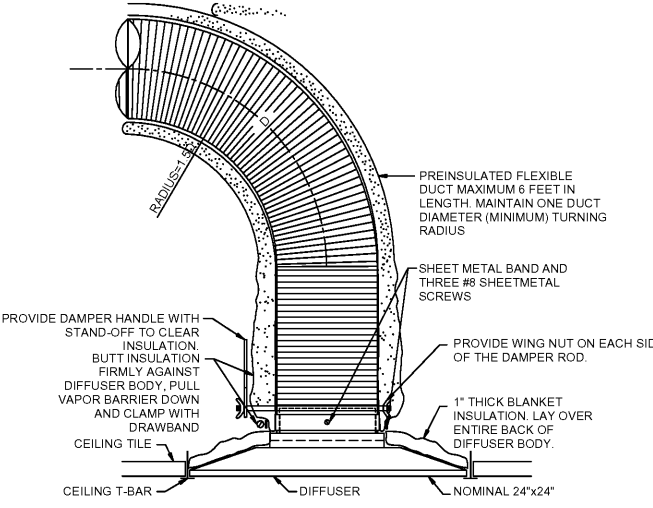
1 DUCT SUPPORT DETAILS
NOT TO SCALE



SPIN-IN FITTING WITH MANUAL VOLUME DAMPER EXTENSION ON DAMPER ROD FOR INSULATED DUCT

NOTES:
1. CONNECT FLEXIBLE DUCT TO FITTING WITH PANDIUT STRAP AND SEAL.
2. HARD DUCT RUNOUTS SHOULD START WITH SPIN-IN FITTINGS SIMILAR TO THIS DETAIL.

2 ROUND DUCT TAP-IN MOUNTING DETAIL
NOT TO SCALE

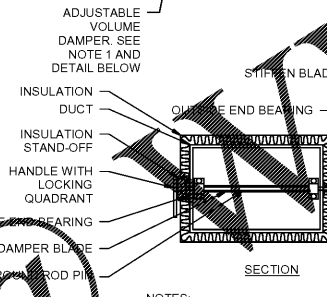
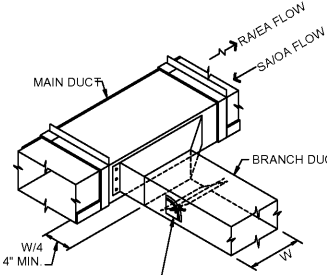


PROVIDE DAMPER HANDLE WITH STAND-OFF TO CLEAR INSULATION BUTT INSULATION FIRMLY AGAINST DIFFUSER BODY, PULL VAPOR BARRIER DOWN AND CLAMP WITH DRAWBAND

PROVIDE WING NUT ON EACH SIDE OF THE DAMPER ROD.

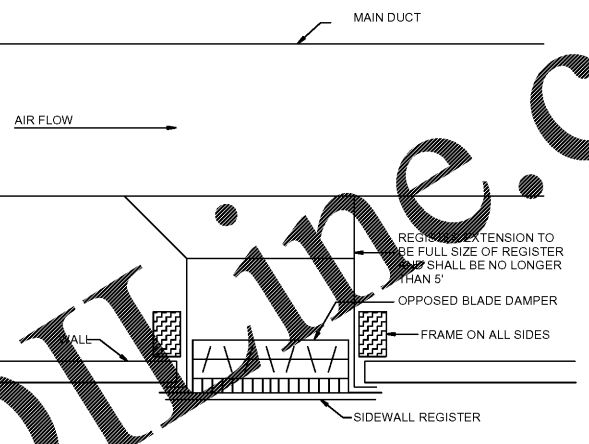
1" THICK BLANKET INSULATION, LAY OVER ENTIRE BACK OF DIFFUSER BODY.

3 CEILING DIFFUSER DETAIL
NOT TO SCALE

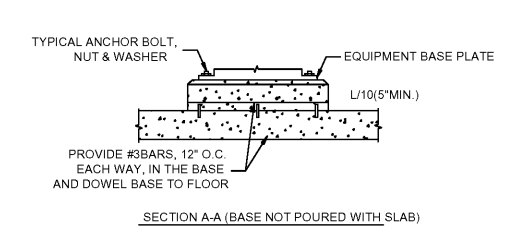
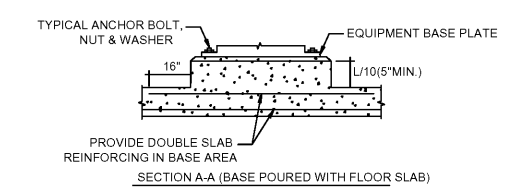
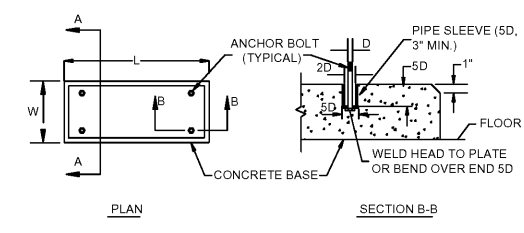


NOTES:
1. PROVIDE ADJUSTABLE VOLUME DAMPER WITH POSITIONING LEVER, EXTENSION SECTION (INSULATED DUCT ONLY) AND LOCKING WING NUT. VOLUME DAMPER SHALL BE SINGLE BLADE OR MULTI-BLADE DEPENDING ON DUCT SIZE.
2. DELETE INSULATION STAND-OFF ON DUCTWORK WITHOUT EXTERIOR INSULATION.
3. DETAIL SHOWS SINGLE BLADE DAMPER. DAMPER INSTALLATION SHALL BE SIMILAR FOR MULTI-BLADE DAMPERS & ROUND DAMPERS.

5 BRANCH DUCT TAKEOFF AND VOLUME DAMPER DETAIL
NOT TO SCALE

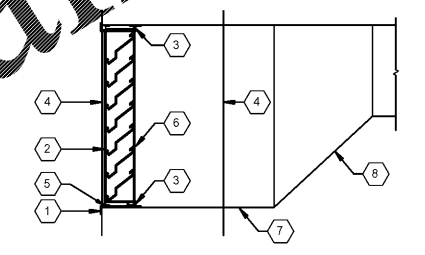


4 SIDEWALL REGISTER DETAIL
NOT TO SCALE



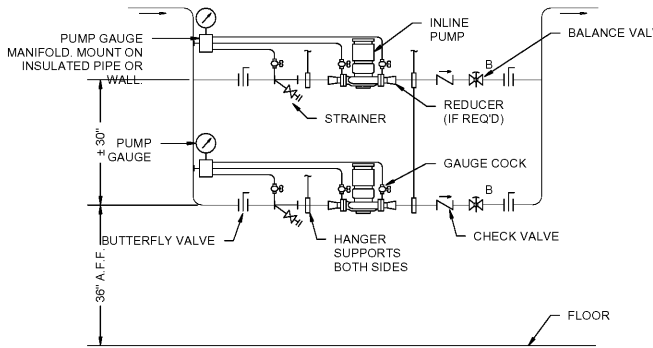
NOTE: 1. L AND W DIMENSIONS SHALL BE 12 INCHES GREATER THAN THE EQUIPMENT BASE PLATE.

8 HOUSEKEEPING PAD CONCRETE SLAB DETAIL
NOT TO SCALE



KEYNOTES:
1. FLANGE.
2. LOUVER SIZE AS INDICATED ON PLANS AND SCHEDULES.
3. SECURE TO STRUCTURE PER MANUFACTURER.
4. FACE OF WALL.
5. SEAL WEATHER PROOF
6. BIRD SCREEN
7. PLENUM FOR TRANSITION TO DUCT, OR SLEEVE FOR TRANSITION TO UNIT. EXTERNALLY INSULATE.
8. PROVIDE SLOPE TRANSITION FROM DUCTWORK CONNECTION TO BOTTOM OF LOUVER FOR DRAINING OF ANY WATER INTRUSION.

6 TYPICAL LOUVER MOUNTING DETAIL
NOT TO SCALE



7 INLINE CLOSE COUPLED PUMP CONNECTION
NOT TO SCALE

Order Plans

ISSUE DATE	DATE
ISSUE FOR BID	2016.05.25

SIMULATION LABORATORY
BUILDING - USA JOB #16-07
MOBILE, ALABAMA
ABC #2017372
GMC # AMOB160019



MECHANICAL DETAILS
M5.01
Sheet of