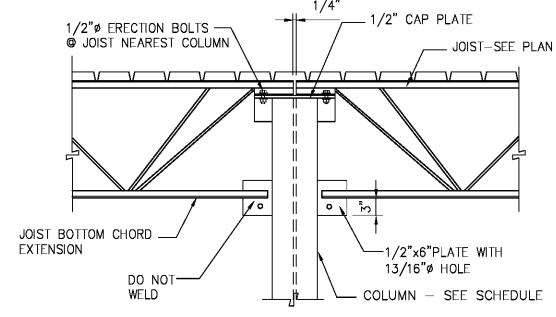
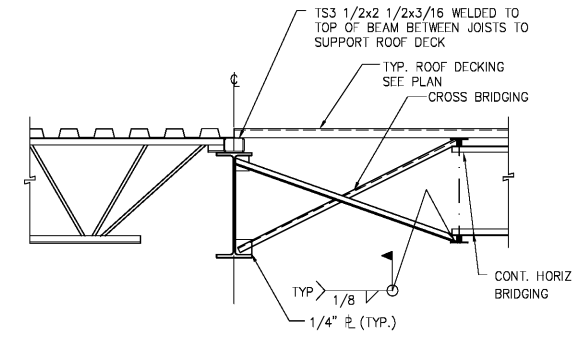


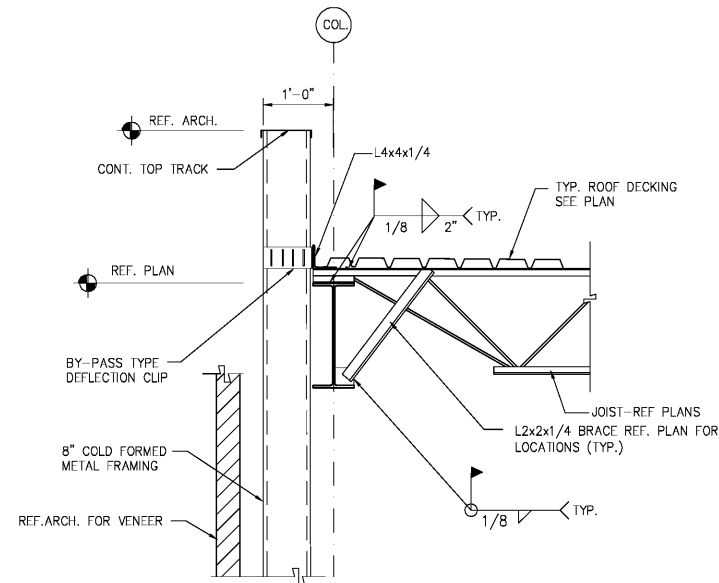
**TYPICAL INTERIOR ROOF BEAM**  
**SECTION 1**  
NOT TO SCALE S5.2



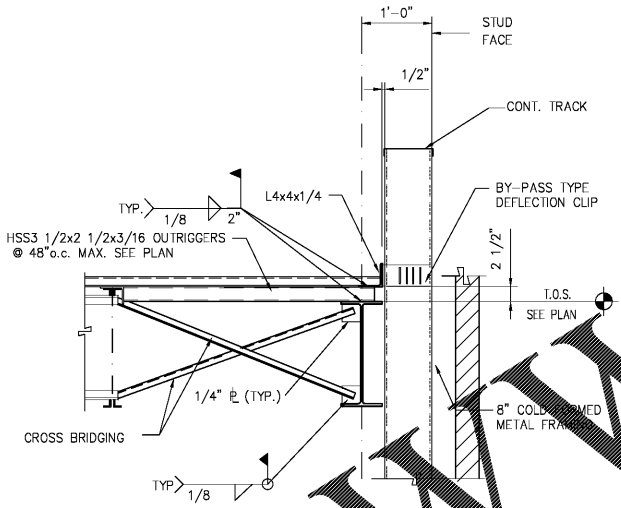
**TYPICAL JOIST BOTTOM CHORD EXTENSION**  
**SECTION 2**  
NOT TO SCALE S5.2



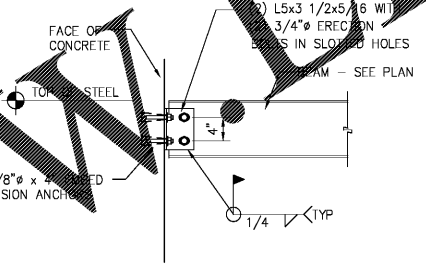
**TYPICAL CHANGE OF ROOF DECK DIRECTION**  
**SECTION 3**  
NOT TO SCALE S5.2



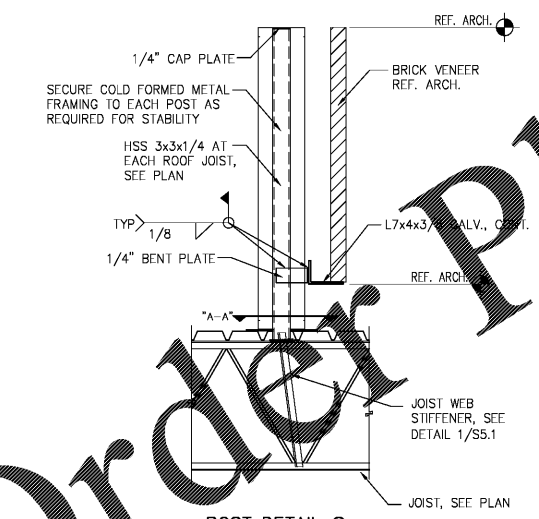
**TYPICAL ROOF EDGE SECTION**  
**SECTION 4**  
NOT TO SCALE S5.2



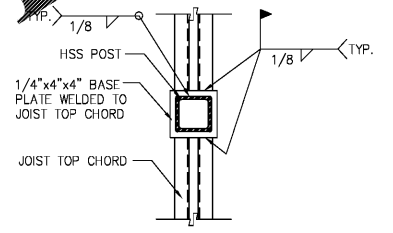
**TYPICAL EXTERIOR ROOF EDGE**  
**SECTION 5**  
NOT TO SCALE S5.2



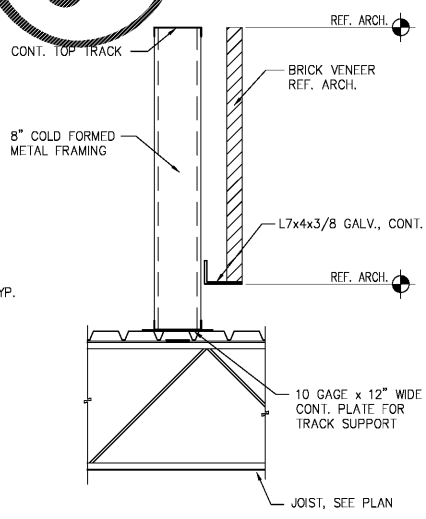
**TYPICAL FIELD-BOLTED CONNECTION TO CONCRETE OR MASONRY WALL**  
**SECTION 7**  
SCALE: 1"=1'-0" S5.2



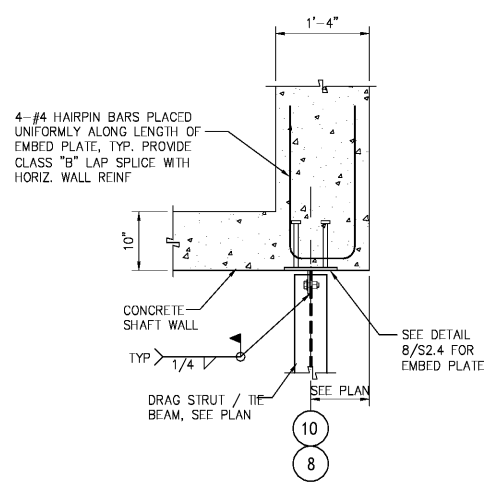
**POST DETAIL @ FREESTANDING PARAPET**  
**SECTION 8**  
SCALE: 1"=1'-0" S5.2



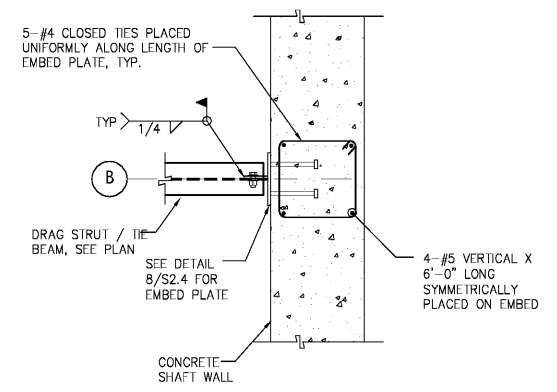
**DETAIL "A-A"**  
NOT TO SCALE



**SECTION 9**  
SCALE: 1"=1'-0" S5.2



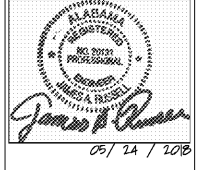
**TYPICAL HAIRPIN REINFORCEMENT AT AXIAL TIE BEAM**  
**DETAIL 10**  
SCALE: 1"=1'-0" S5.2



**TYPICAL HAIRPIN REINFORCEMENT AT AXIAL TIE BEAM**  
**DETAIL 11**  
SCALE: 1"=1'-0" S5.2

**BARTELL & ASSOCIATES, INC.**  
Structural Engineers  
1614 GOVERNMENT ST.  
MOBILE, AL 36604-1102  
PH. 251-473-8354  
FAX 251-473-8356  
© Copyright 2017, Bartell & Associates, Inc.

2701 1st Avenue S  
Birmingham, AL 35233  
T 205.879.4462  
GMCNETWORK.COM



ISSUE	DATE
100% FOR BID	2018.04.18
Issue for Bid	2018.05.25

DRAWN BY: ISGM  
CHECKED BY: IJAR

USA SIMULATION LAB  
MOBILE, ALABAMA  
ABC # 2017372  
GMC # AMOB160019

ROOF SECTIONS AND DETAILS  
**S5.2**  
Sheet of

Order Plans @ WWW.DILine.com