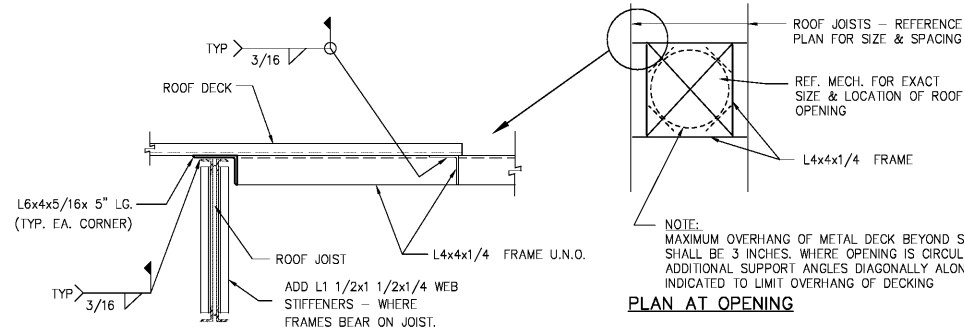


NOTE: INSTALL L1 1/2x1 1/2x1/4 WEB STIFFENERS ON EACH SIDE OF JOIST WEB WHERE CONCENTRATED LOADS OCCUR. INSTALL FROM POINT OF LOAD TO CLOSEST PANEL POINT ON OPPOSITE CHORD.

TYPICAL JOIST REINFORCEMENT AT CONCENTRATED LOADS

DETAIL 1
NOT TO SCALE (SS.1)



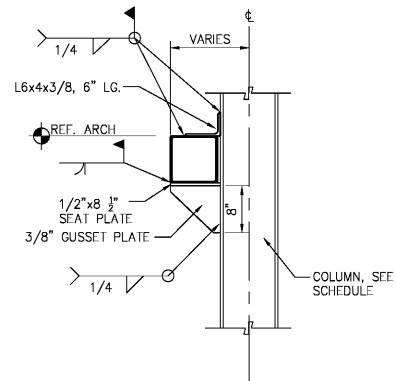
NOTE: MAXIMUM OVERHANG OF METAL DECK BEYOND SUPPORT ANGLE SHALL BE 3 INCHES. WHERE OPENING IS CIRCULAR PROVIDE ADDITIONAL SUPPORT ANGLES DIAGONALLY ALONG EDGES AS INDICATED TO LIMIT OVERHANG OF DECKING

TYPICAL ROOF OPENING DETAIL

NOTES:
1. PROVIDE ANGLE FRAME AROUND ALL OPENINGS IN ROOF DECK GREATER THAN 6" IN EITHER DIRECTION.
2. CONTRACTOR TO COORDINATE ALL NECESSARY DIMENSIONS OF ROUGH OPENING WITH EQUIPMENT MANUFACTURER AND MECHANICAL.
3. INSTALL ANGLE FRAME PRIOR TO INSTALLATION OF ROOF DECK.

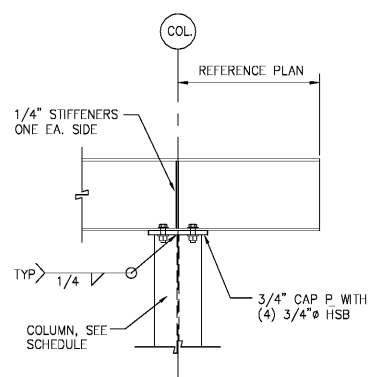
TYPICAL ROOF OPENING DETAIL

DETAIL 2
NOT TO SCALE (SS.1)



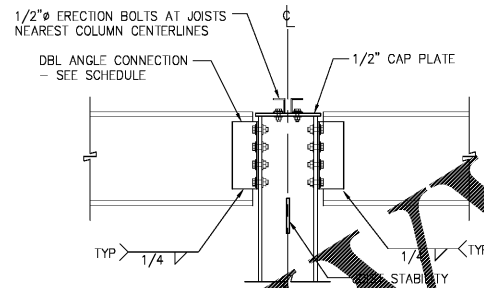
TYPICAL HSS SUPPORT AT COLUMN

SECTION 4
SCALE: 1"=1'-0" (SS.1)



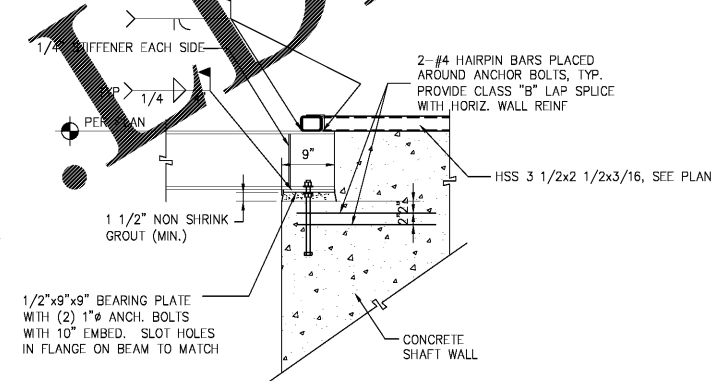
TYPICAL CANTILEVERED ROOF BEAM

SECTION 5
SCALE: 1"=1'-0" (SS.1)



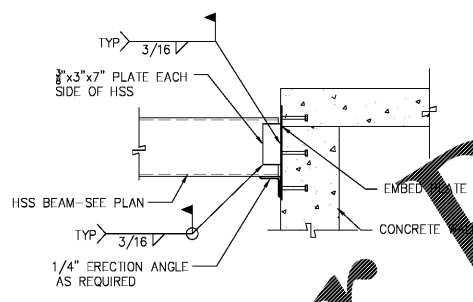
TYPICAL INTERIOR COLUMN AT EDGE

SECTION 5.1
NOT TO SCALE (SS.1)



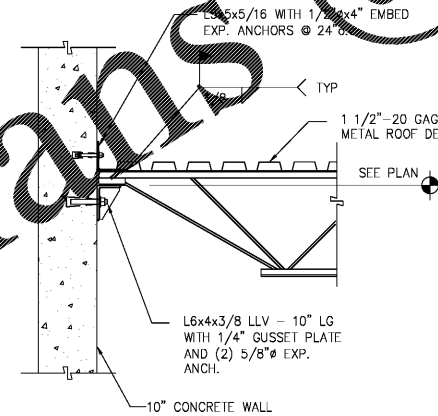
TYPICAL BEAM POCKET AT TOP OF ELEVATOR WALL

SECTION 7
SCALE: 1"=1'-0" (SS.1)



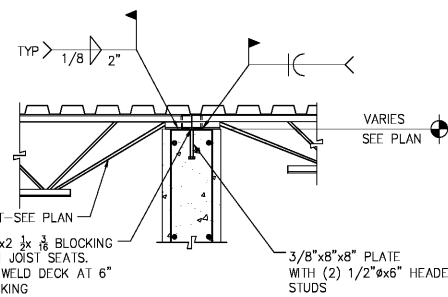
TYPICAL HSS BEAM CONNECTION TO CONCRETE WALL

SECTION 8
SCALE: 1"=1'-0" (SS.1)



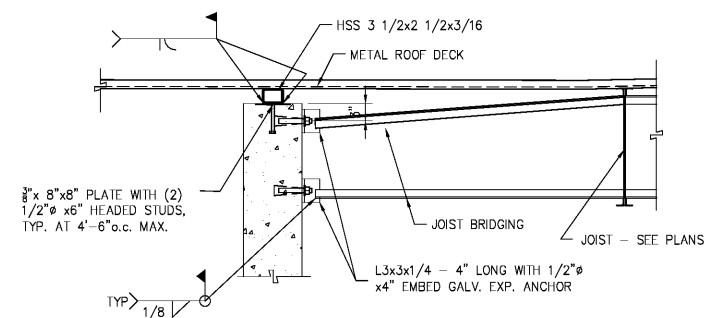
TYPICAL ROOF SECTION AT CONC. WALL PERPENDICULAR TO JOIST

SECTION 9
SCALE: 1"=1'-0" (SS.1)



TYPICAL SECTION AT JOIST BEARING ON CONCRETE WALL

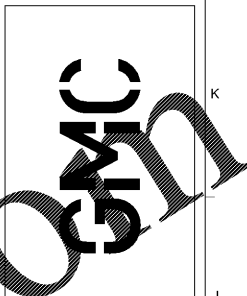
SECTION 10
SCALE: 1"=1'-0" (SS.1)



TYPICAL ROOF SECTION AT CONC. WALL PARALLEL TO JOIST

SECTION 11
SCALE: 1"=1'-0" (SS.1)

BARTER & ASSOCIATES, INC.
Structural Engineers
1614 GOVERNMENT ST.
MOBILE, AL 36604-1102
PH. 251-473-8354
FAX 251-473-8356
© Copyright 2017, Barter & Associates, Inc.



2701 1st Avenue S
Birmingham, AL 35233
T 205.879.4462
GMCNETWORK.COM



ISSUE	DATE
100% Issue for Bid	2018.04.18
Issue for Bid	2018.05.25

DRAWN BY: ISCM
CHECKED BY: JAR

TYPICAL SECTIONS AND DETAILS -
ROOF
USA SIMULATION LAB
MOBILE, ALABAMA
ABC # 2017372
GMC # AMOB160019

Sheet of
S5.1

Order Plans @ www.IDIline.com