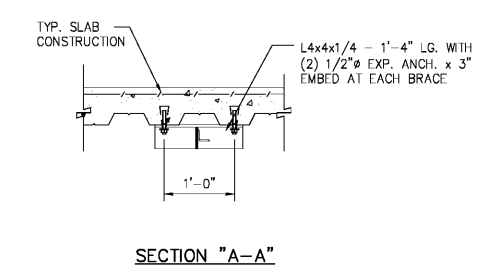
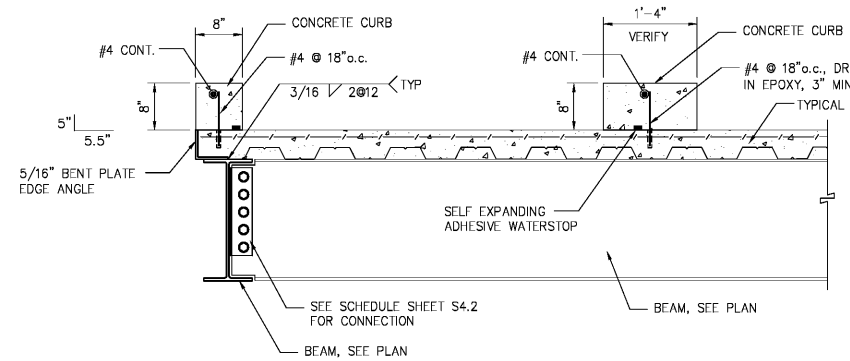


BEAM BRACING @ SKYFOLD PARTITION

SECTION 1 NOT TO SCALE S4.3

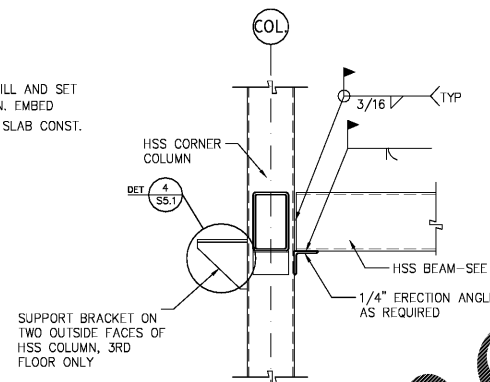


SECTION "A-A"



THIRD FLOOR LOW ROOF SECTION

SECTION 2 SCALE: 1"=1'-0" S4.3

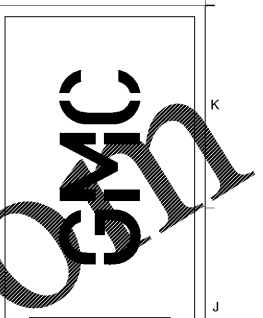


TYPICAL HSS BEAM CONNECTION AT HSS CORNER COLUMN

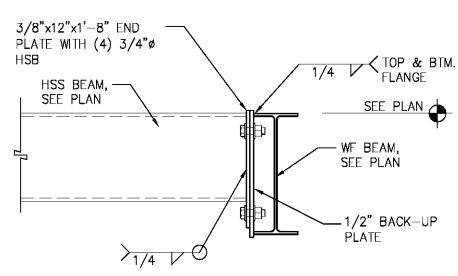
SECTION 3 SCALE: 1"=1'-0" S4.3

BARTELL & ASSOCIATES, INC.
Structural Engineers
1614 GOVERNMENT ST.
MOBILE, AL 36604-1102
PH. 251-473-8354
FAX 251-473-8356

©Copyright 2017, Bartell & Associates, Inc.

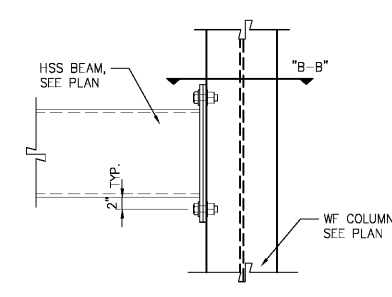


2701 1st Avenue S
Birmingham, AL 35233
T 205.879.4462
GMCNETWORK.COM



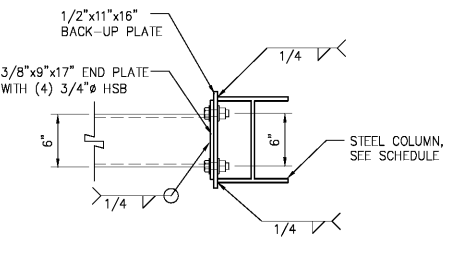
TYPICAL HSS BEAM CONNECTION @ BEAM

SECTION 4 NOT TO SCALE S4.3

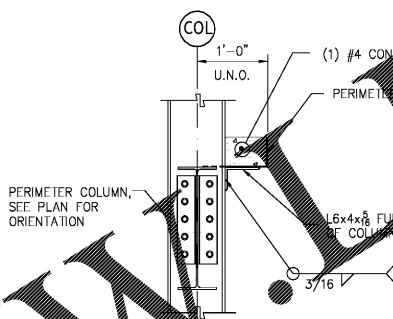


TYPICAL HSS BEAM CONNECTION @ COLUMN

SECTION 5 NOT TO SCALE S4.3

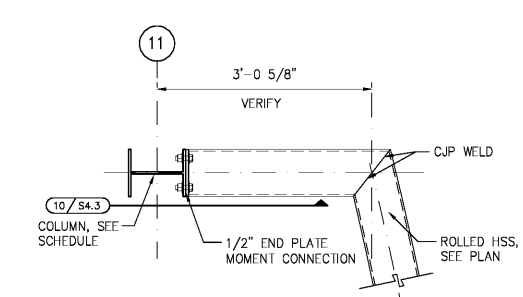


SECTION "B-B"



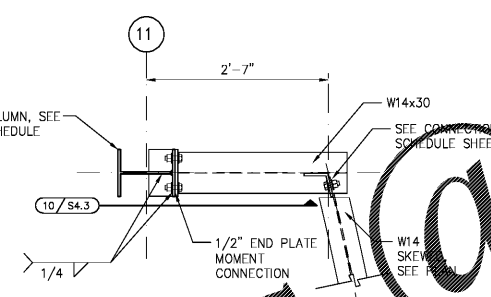
TYPICAL PERIMETER EDGE ANGLE SUPPORT

SECTION 15 SCALE: 1"=1'-0" S4.3



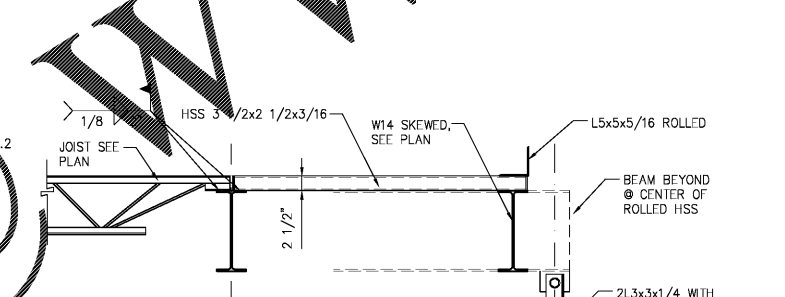
ENLARGED PLAN AT NORTH OVERHANG FRAMING

DETAIL 6 SCALE: 1"=1'-0" S4.3



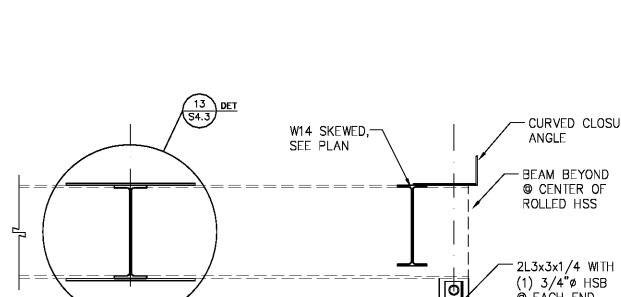
ENLARGED PLAN AT NORTH OVERHANG FRAMING

DETAIL 7 SCALE: 1"=1'-0" S4.3



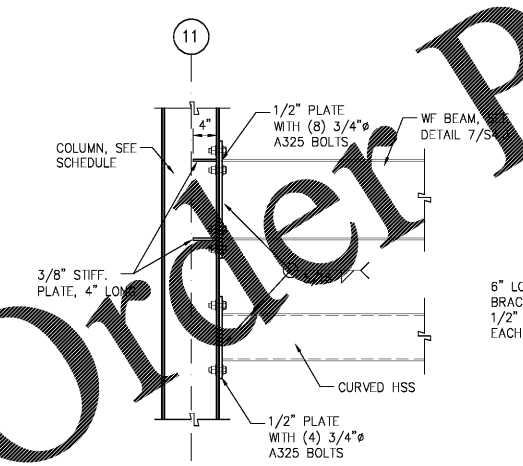
CURVED HSS BEAM SUPPORT @ ROOF

SECTION 8 SCALE: 1"=1'-0" S4.3

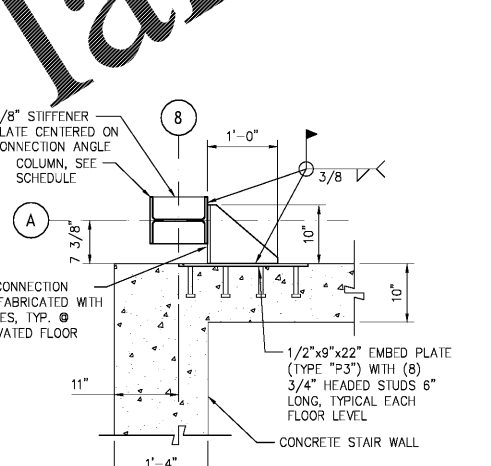


CURVED HSS BEAM SUPPORT @ 2ND FLOOR

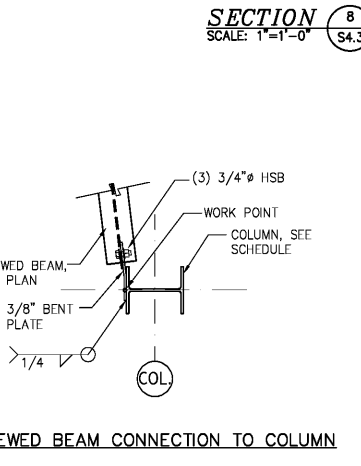
SECTION 9 SCALE: 1"=1'-0" S4.3



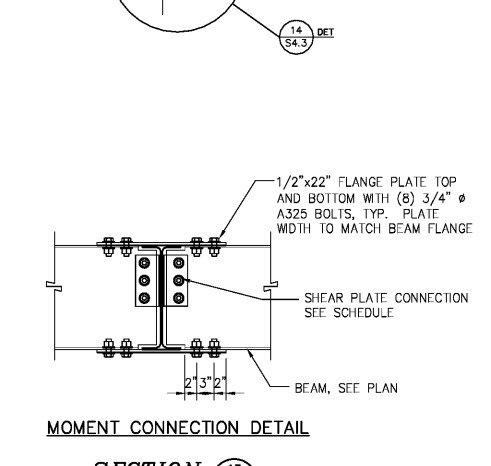
SECTION 10 SCALE: 1"=1'-0" S4.3



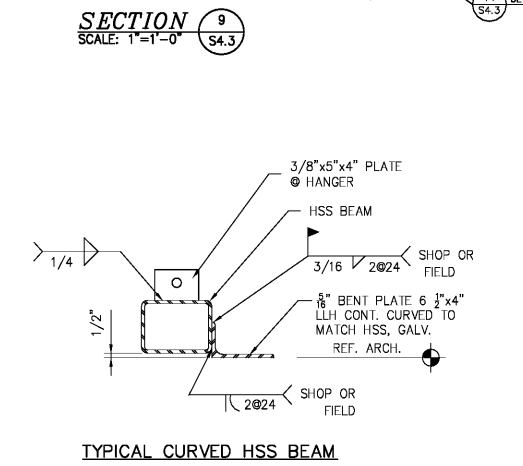
DETAIL 11 SCALE: 1"=1'-0" S4.3



DETAIL 12 SCALE: 1"=1'-0" S4.3



SECTION 13 SCALE: 1"=1'-0" S4.3



DETAIL 14 NOT TO SCALE S4.3

ISSUE	DATE
100%	2018.04.18
Issue for Bid	2018.05.25

USA SIMULATION LAB
MOBILE, ALABAMA
ABC # 2017372
GMC # AMOB160019

FRAMING SECTIONS AND DETAILS
S4.3
Sheet of

Order Plans