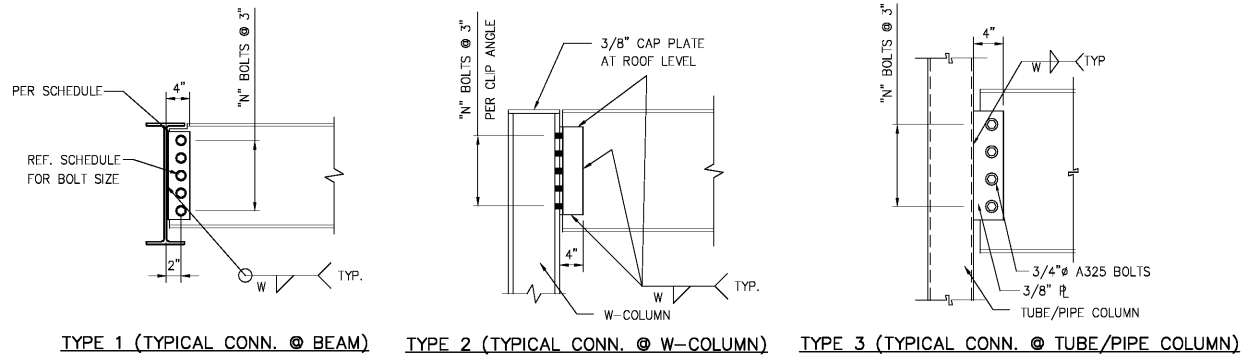


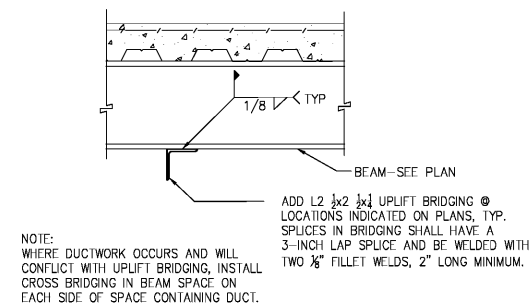
MEMBER	TYPE	CONNECTION CLIPS - TYPE 1 & 2 SHEAR PLATE - TYPE 3	WELD SIZE (W)	NO. OF BOLTS (N) 3/4" DIA. A325-N
W8,W10	1	L4x3x3/8 x6" LG.	1/4	2
W12,W14	1	L4x3x3/8 x9" LG.	1/4	3
W16	1	L4x3x3/8 x12" LG.	1/4	4
W18, W21	1	L4x3x3/8 x15" LG.	1/4	5
W24	1	L4x3x3/8 x18" LG.	1/4	6
W12,W14	2	(2) L4x3x3/8 x 9" LG.	1/4	3
W16	2	(2) L4x3x3/8 x 12" LG.	1/4	4
W18,W21	2	(2) L4x3x3/8 x 15" LG.	1/4	5
W24	2	(2) L4x3x3/8 x 18" LG.	1/4	6
W8, W10	3	3/8 x 6" PL	1/4	2
W12, W14	3	3/8 x 9" PL	1/4	3
W16	3	3/8 x 12" PL	1/4	4
W18,W21	3	3/8 x 15" PL	1/4	5

TYPICAL BEAM CONNECTION SCHEDULE

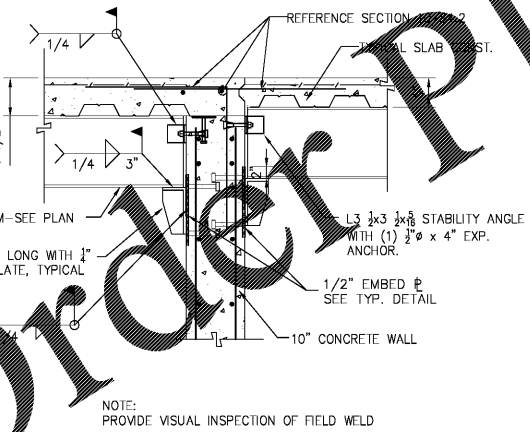
NOTE:  
WHERE BEAMS FRAME INTO WEB OF W-COLUMN FROM TWO DIRECTIONS, MAKE ONE ANGLE LONGER THAN SPECIFIED AND ADD AN EXTRA BOLT. OFFSET THE LONG ANGLE ON OPPOSITE SIDES OF THE WEB SO EITHER BEAM CAN BE INSTALLED FIRST. AN ERECTION SEAT WELDED TO THE COLUMN WEB OR ACROSS THE COLUMN FLANGES MAY ALSO BE USED IN LIEU OF USING LONGER ANGLES.



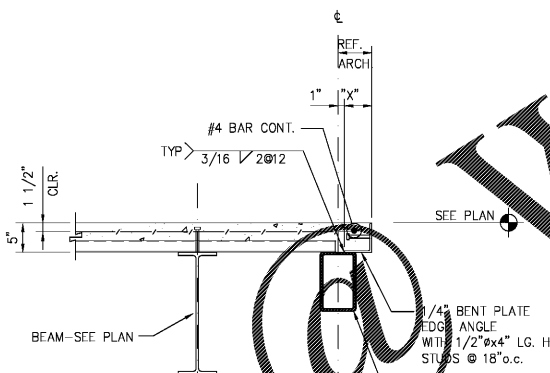
DETAIL 1 NOT TO SCALE S4.2



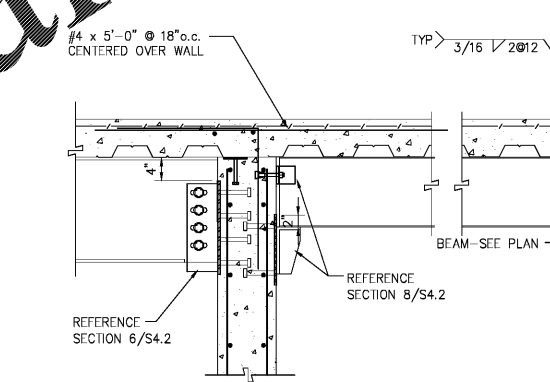
SECTION 4 NOT TO SCALE S4.2



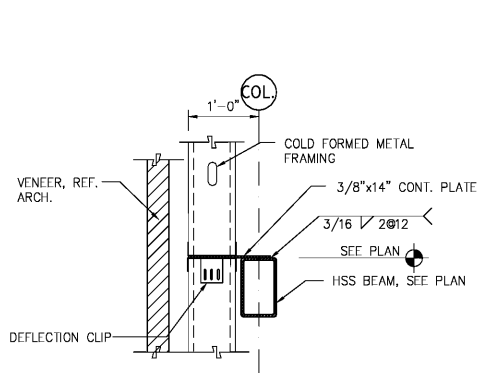
SECTION 8 SCALE: 1"=1'-0" S4.2



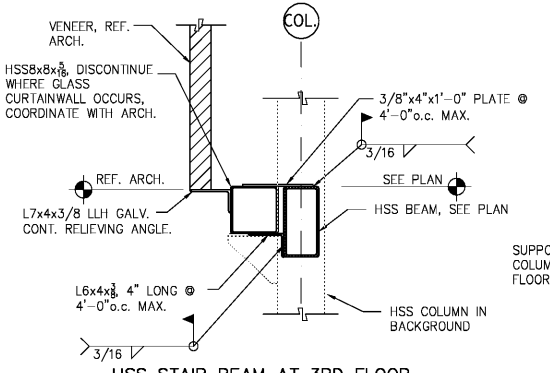
SECTION 5 SCALE: 1"=1'-0" S4.2



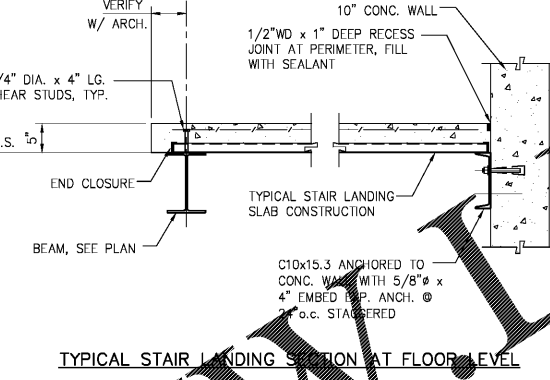
SECTION 9 SCALE: 1"=1'-0" S4.2



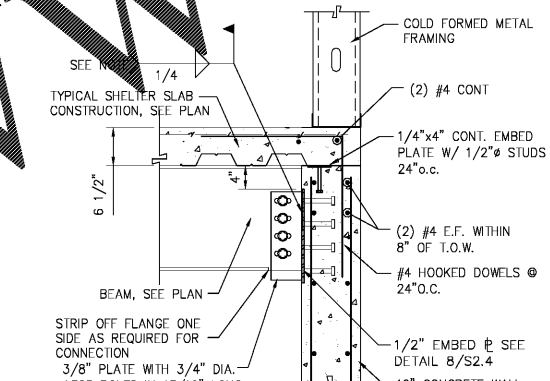
SECTION 11 SCALE: 1"=1'-0" S4.2



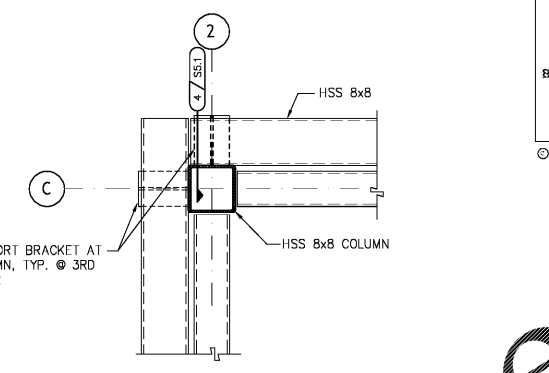
SECTION 12 SCALE: 1"=1'-0" S4.2



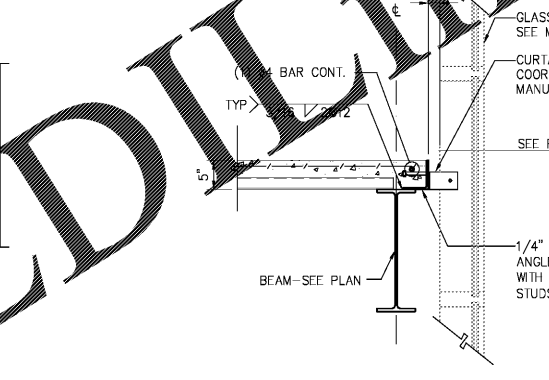
SECTION 2 SCALE: 1"=1'-0" S4.2



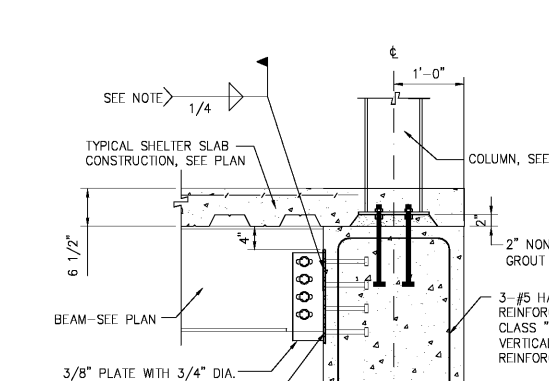
SECTION 6 SCALE: 1"=1'-0" S4.2



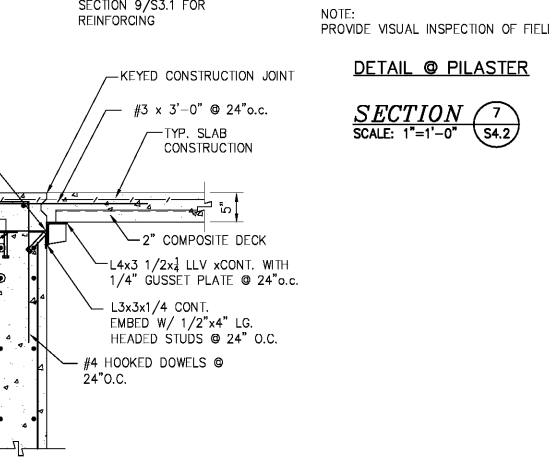
DETAIL 13 SCALE: 1"=1'-0" S4.2



SECTION 3 SCALE: 1"=1'-0" S4.2



DETAIL @ PLASTER



SECTION 10 SCALE: 1"=1'-0" S4.2

**BARTER & ASSOCIATES, INC.**  
Structural Engineers  
1614 GOVERNMENT ST.  
MOBILE, AL 36604-1102  
PH. 251-473-8354  
FAX 251-473-8356  
©Copyright 2017, Barter & Associates, Inc.

2701 1st Avenue S  
Birmingham, AL 35233  
T 205 879 4462  
GMCNETWORK.COM



ISSUE	DATE
100%	2018.04.18
Issue for Bid	2018.05.25

USA SIMULATION LAB  
MOBILE, ALABAMA  
ABC # 2017372  
GMC # AMOB160019

FRAMING SECTIONS AND DETAILS  
S4.2  
SHEET OF

Order Plans @ WWW.WALDLINE.COM