

BARTER & ASSOCIATES, INC.
 Structural Engineers
 1614 GOVERNMENT ST.
 MOBILE, AL 36604-1102
 PH. 251-473-8354
 FAX 251-473-8356
 © Copyright 2017, Barter & Associates, Inc.

GMC

2701 1st Avenue S
 Birmingham, AL 35233
 T 205 879 4462
 GMCNETWORK.COM

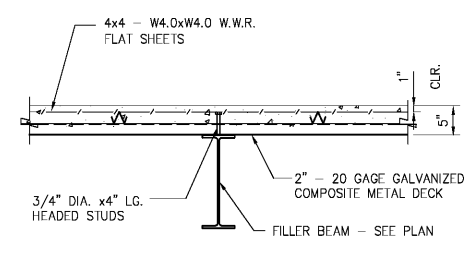
ALABAMA REGISTERED PROFESSIONAL ENGINEER
 No. 20734
 JAMES P. BARBER
 05/24/2018

ISSUE	DATE
100%	2018.04.18
Issue for Bid	2018.05.25

SCHEDULES AND TYPICAL DETAILS
 - ELEVATED FLOOR

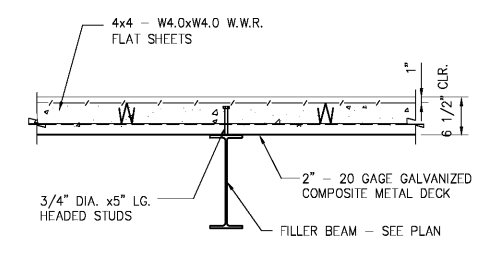
USA SIMULATION LAB
 MOBILE, ALABAMA
 ABC # 2017372
 GMC # AMOB160019

S4.1
 Sheet of



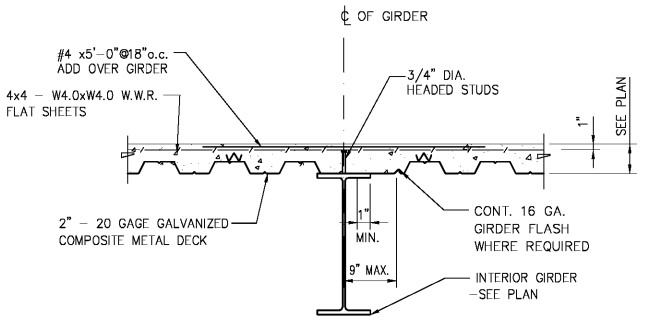
TYPICAL SLAB SECTION
 DECK SPANS PERPENDICULAR TO BEAM

SECTION 1
 NOT TO SCALE S4.1



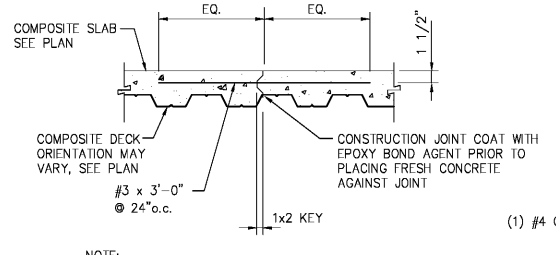
TYPICAL SLAB SECTION
 DECK SPANS PERPENDICULAR TO BEAM (SHELTER)

SECTION 2
 NOT TO SCALE S4.1



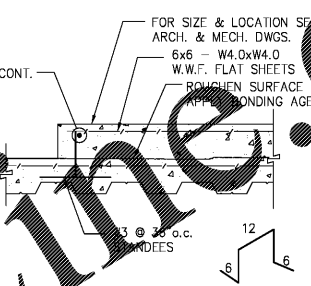
TYPICAL SLAB SECTION
 DECK SPANS PARALLEL TO GIRDER

SECTION 3
 NOT TO SCALE S4.1



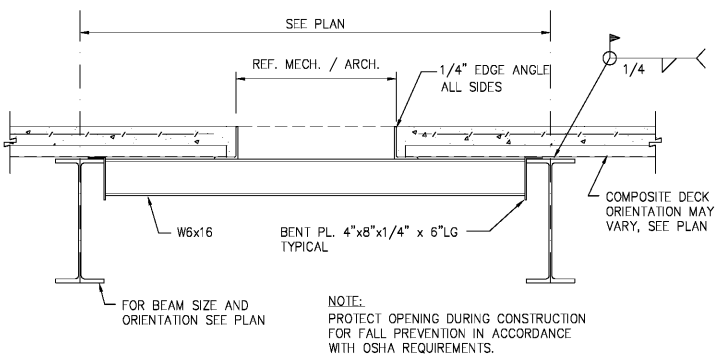
TYPICAL COMPOSITE SLAB
 CONSTRUCTION JOINT DETAIL

SECTION 4
 NOT TO SCALE S4.1



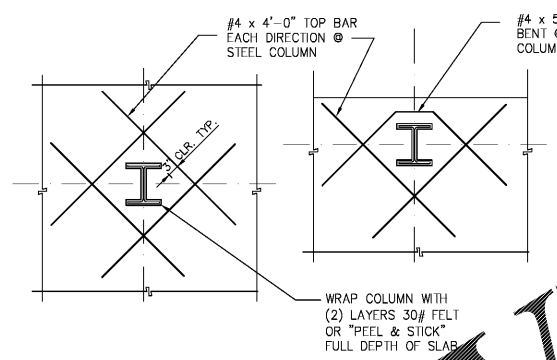
MECHANICAL EQUIPMENT PAD

SECTION 5
 NOT TO SCALE S4.1



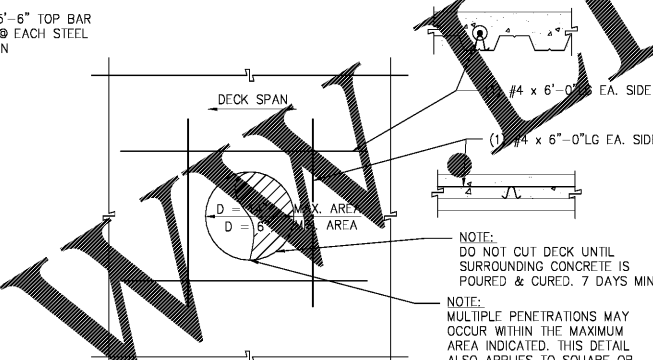
TYPICAL FLOOR OPENING DETAIL

SECTION 6
 NOT TO SCALE S4.1



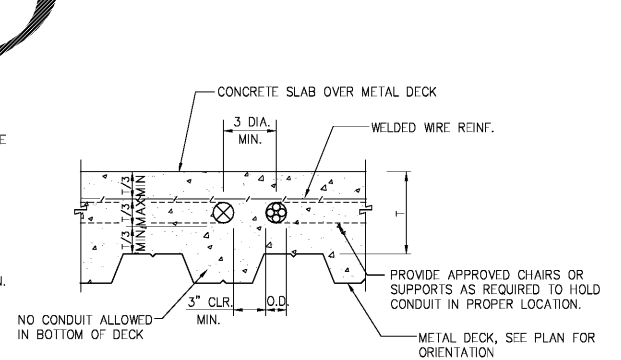
PLAN- INTERIOR COLUMN
 PLAN- EXTERIOR COLUMN

DETAIL 7
 NOT TO SCALE S4.1



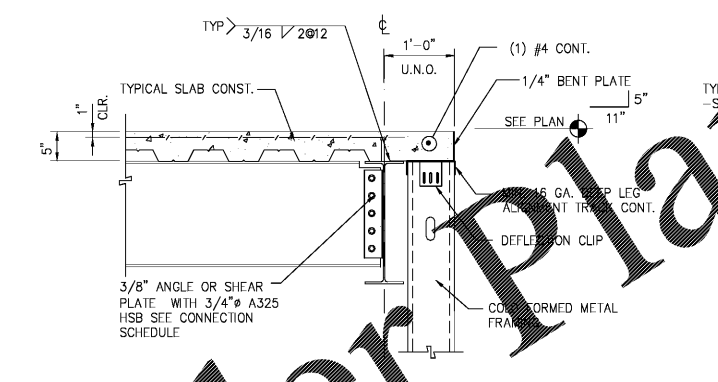
TYPICAL SLEEVE OPENING IN SLAB

DETAIL 8
 NOT TO SCALE S4.1



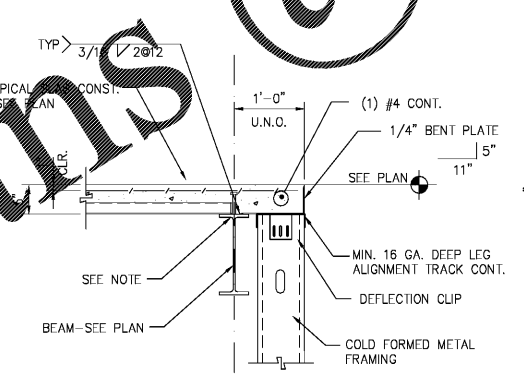
EMBEDDED PIPE AND CONDUIT DETAIL

DETAIL 9
 NOT TO SCALE S4.1



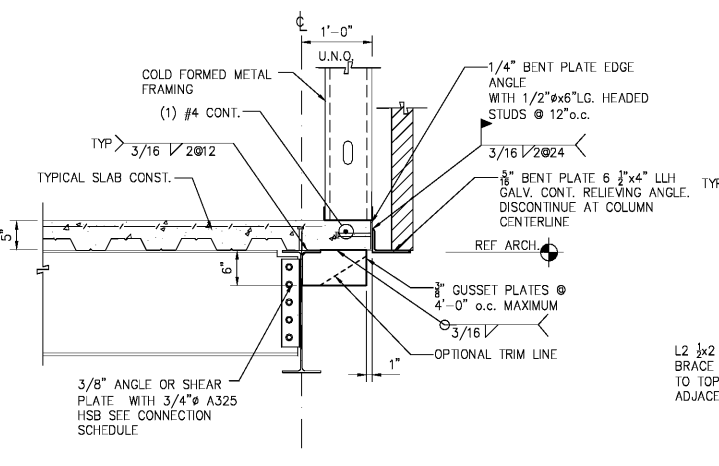
TYPICAL SLAB EDGE AT GIRDER
 2ND FLOOR

SECTION 10
 SCALE: 1\"/>



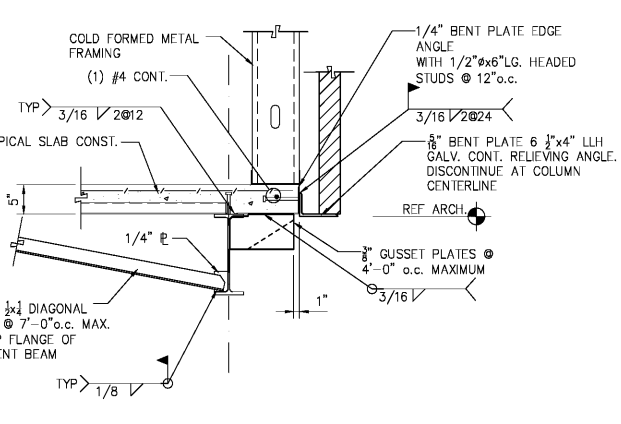
TYPICAL SLAB EDGE AT BEAM
 2ND FLOOR

SECTION 11
 SCALE: 1\"/>



TYPICAL SLAB EDGE AT GIRDER
 3RD FLOOR

SECTION 12
 SCALE: 1\"/>



TYPICAL SLAB EDGE AT BEAM
 3RD FLOOR

SECTION 13
 SCALE: 1\"/>

NOTE:
 A POSSIBLE CONFLICT MAY OCCUR BETWEEN THE SHEAR STUDS AND THE STANDARD END CLOSURE TYPICALLY UTILIZED AT THE END OF THE COMPOSITE METAL DECKING. THE CONTRACTOR SHALL COORDINATE THE INSTALLATION SEQUENCE OF THE VARIOUS COMPONENTS AS WELL AS THE PLACEMENT TOLERANCE FOR THE SHEAR STUDS. SHEAR STUDS SHALL BE LOCATED WITHIN 1 INCH OF BEAM CENTERLINE. THIS REQUIREMENT MAY REQUIRE MODIFICATION TO THE STANDARD DECK END CLOSURE AND/OR DELAYED INSTALLATION OF THE CLOSURE FOLLOWING INSTALLATION OF SHEAR STUDS.

Order Plans @

WWW.DLINE.COM