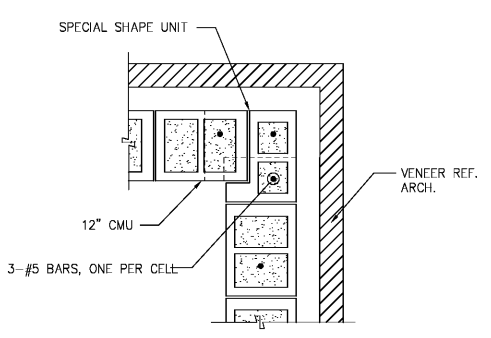


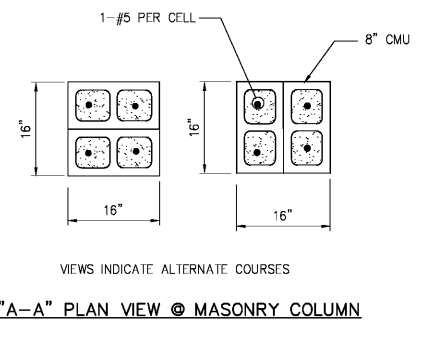
TYPICAL EXTERIOR PLAZA WALL SECTION

SECTION 1
SCALE: 1"=1'-0" S3.4



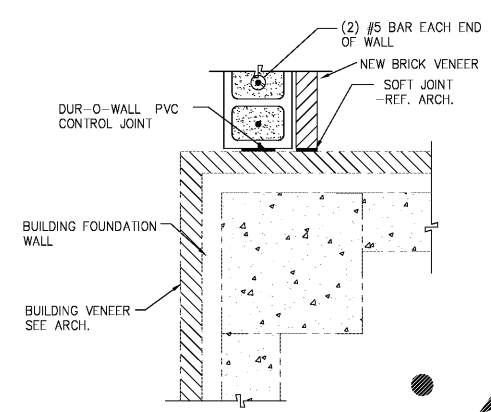
TYPICAL 12" CMU CORNER REINF.

DETAIL 2
NOT TO SCALE S3.4



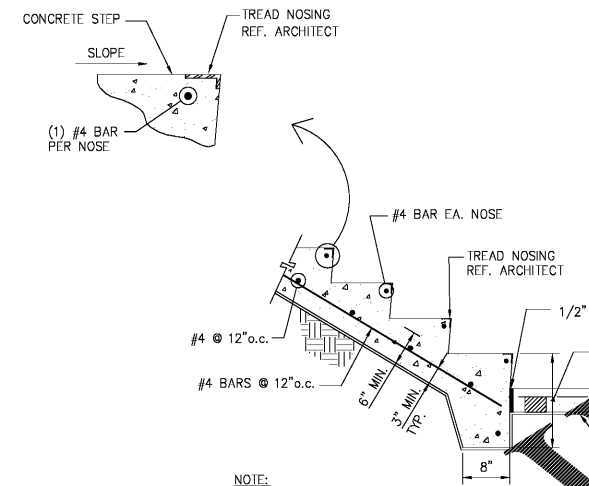
"A-A" PLAN VIEW @ MASONRY COLUMN

SECTION 3
SCALE: 1"=1'-0" S3.4



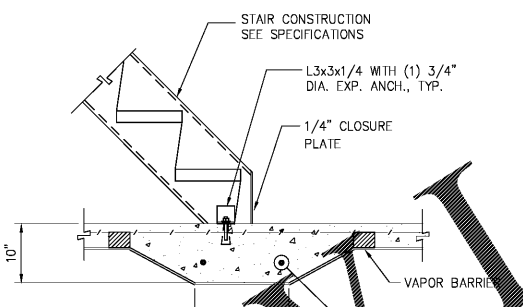
TYPICAL ISOLATION AT BUILDING WALL

DETAIL 4
NOT TO SCALE S3.4



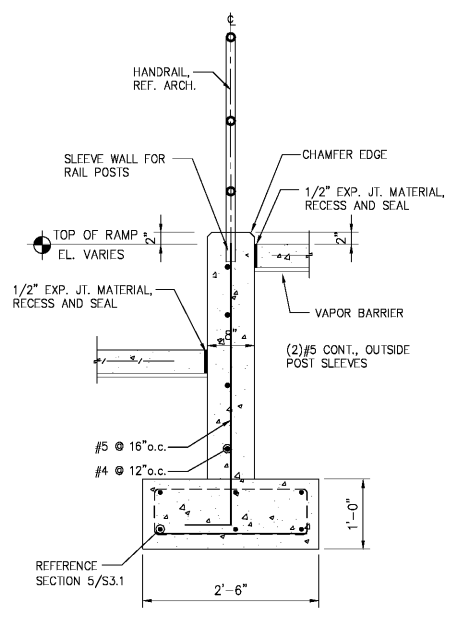
TYPICAL CONCRETE STEP ON FILL SOIL

SECTION 6
SCALE: 1"=1'-0" S3.4



TYPICAL STAIR SPRING SUPPORT

SECTION 7
NOT TO SCALE S3.4



TYPICAL RAMP WALL SECTION

SECTION 5
SCALE: 1"=1'-0" S3.4

BARTER & ASSOCIATES, INC.
Structural Engineers
1614 GOVERNMENT ST.
MOBILE, AL 36604-1102
PH. 251-473-8354
FAX 251-473-8356
© Copyright 2017, Barter & Associates, Inc.

2701 1st Avenue S
Birmingham, AL 35233
T 205 879 4462
GMCNETWORK.COM

ALABAMA REGISTERED PROFESSIONAL ENGINEER
JAMES P. BARTER
06/24/2018

ISSUE	DATE
100% Issue for Bid	2018.04.18
	2018.05.25

DRAWN BY: ISJM
CHECKED BY: JAR

USA SIMULATION LAB
MOBILE, ALABAMA
ABC # 2017372
GMC # AMOB160019

FOUNDATION SECTIONS AND DETAILS
S3.4
Sheet of

Order Plans

WWW.LDITLINE.COM