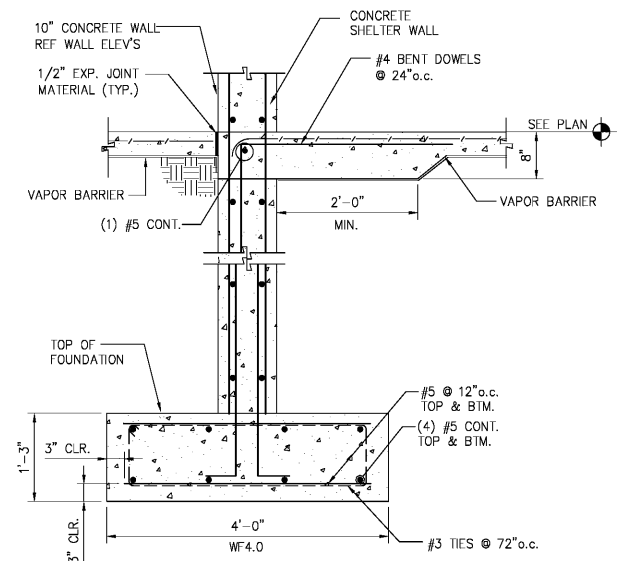
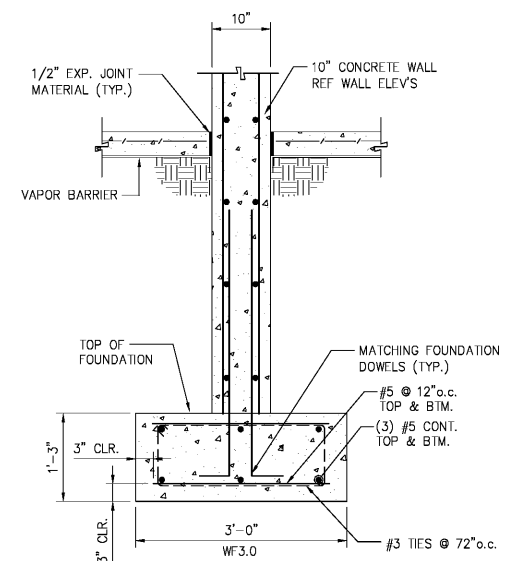


BARTELL & ASSOCIATES, INC.
 Structural Engineers
 1614 GOVERNMENT ST.
 MOBILE, AL 36604-1102
 PH. 251-473-8354
 FAX 251-473-8356
 © Copyright 2017, Bartell & Associates, Inc.



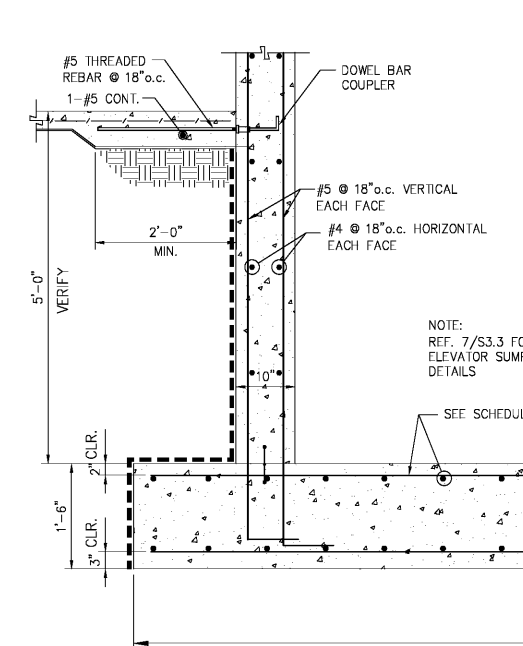
TYPICAL INTERIOR CONCRETE WALL SECTION AT STORM SHELTER WITH SLAB TIED

SECTION 1
 NOT TO SCALE



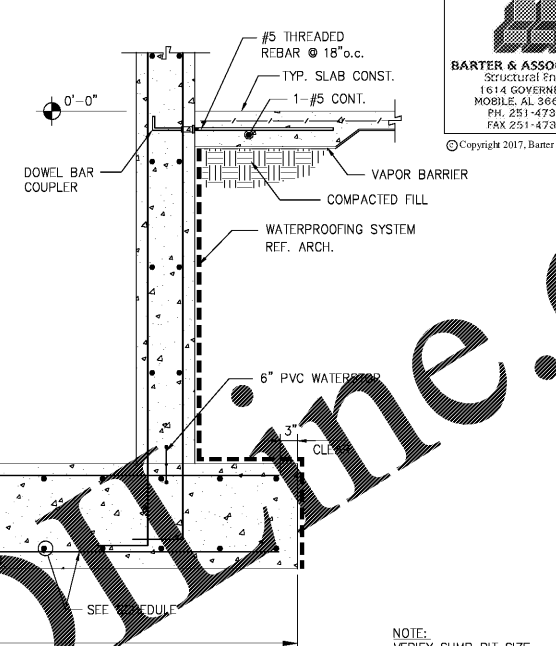
TYPICAL INTERIOR CONCRETE WALL SECTION AT STORM SHELTER WITH SLAB ISOLATED

SECTION 2
 NOT TO SCALE



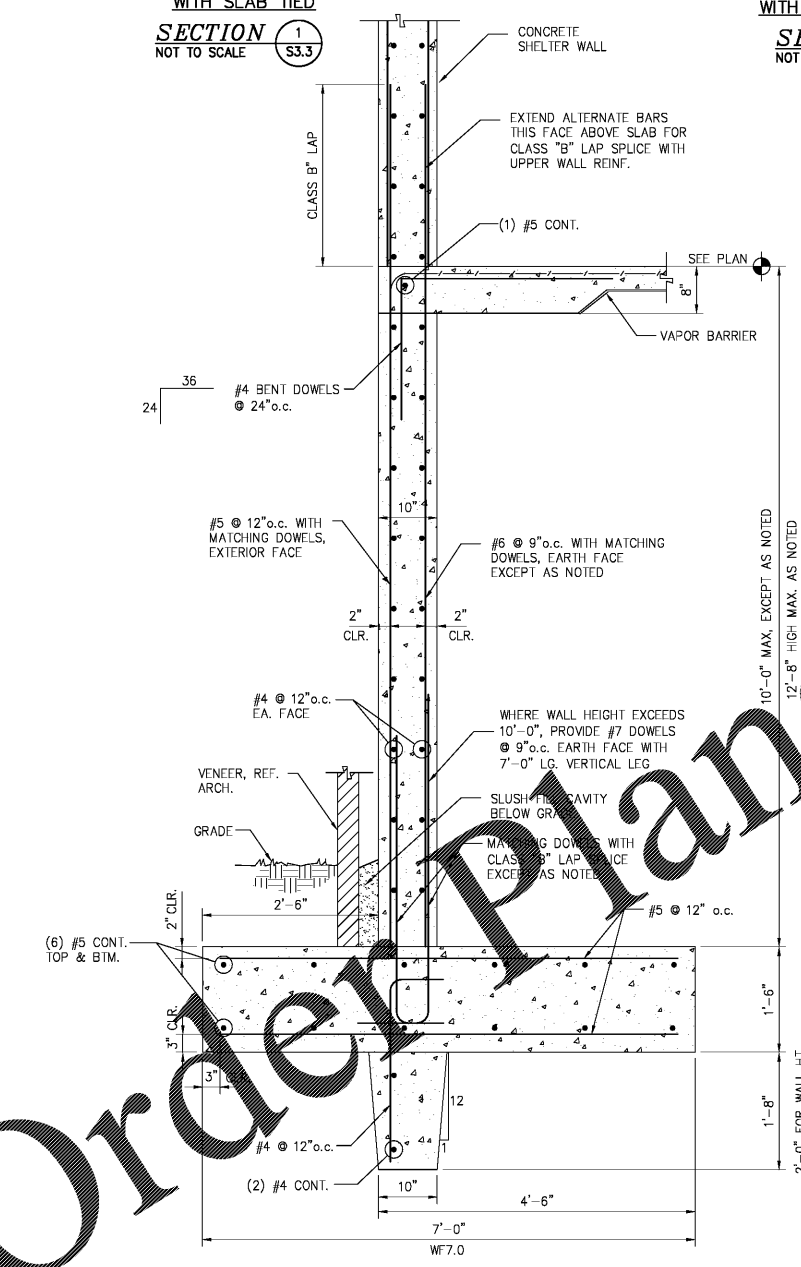
TYPICAL ELEVATOR SECTION

SECTION 3
 SCALE: 1"=1'-0"



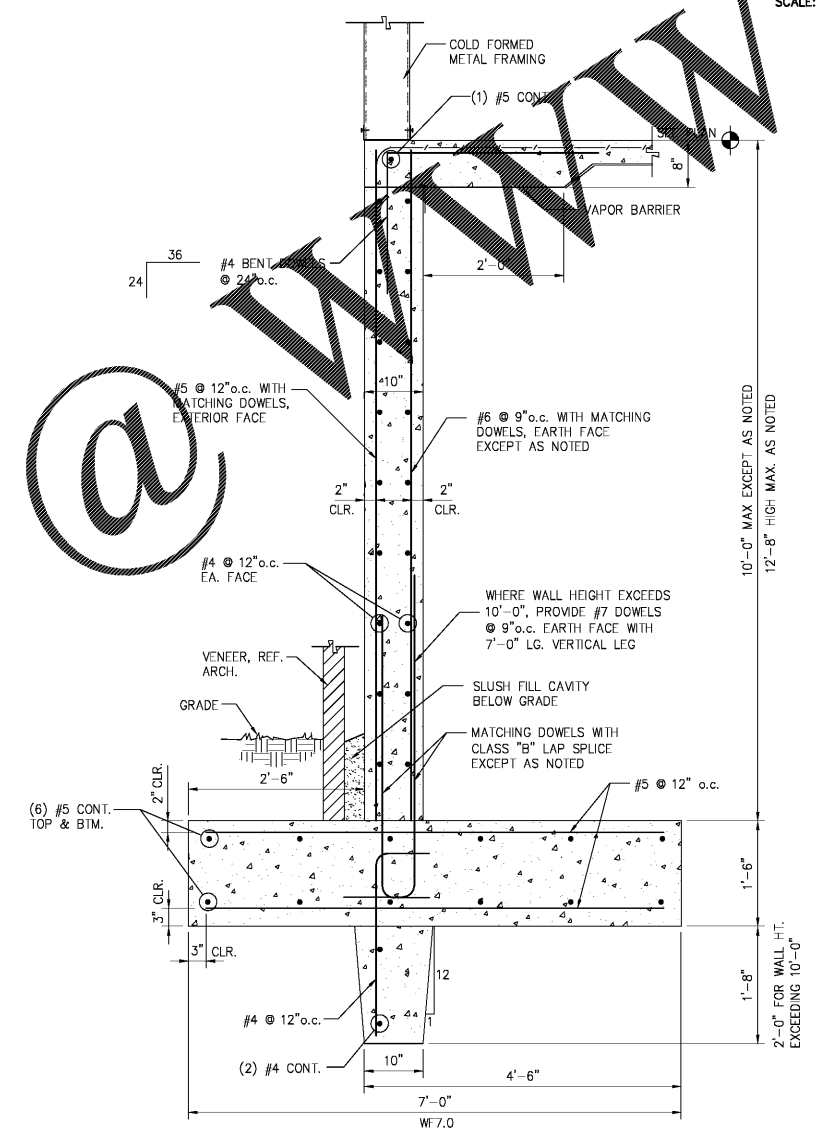
ELEVATOR SUMP PUMP PIT DETAIL

SECTION 7
 NOT TO SCALE



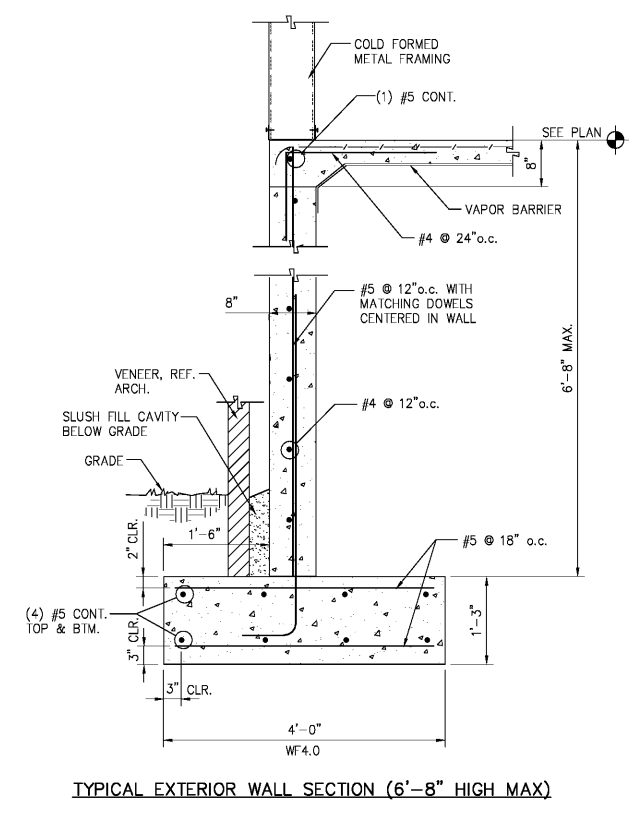
RETAINING WALL SECTION @ SHELTER (10 FT HIGH MAX) 12'-8" HIGH MAX AS NOTED

SECTION 4
 SCALE: 1"=1'-0"



TYPICAL RETAINING WALL SECTION (10 FT HIGH MAX) 12'-8" HIGH MAX AS NOTED

SECTION 5
 SCALE: 1"=1'-0"



TYPICAL EXTERIOR WALL SECTION (6'-8" HIGH MAX)

SECTION 6
 SCALE: 1"=1'-0"

GMC

2701 1st Avenue S
 Birmingham, AL 35233
 T 205.879.4462
 GMCNETWORK.COM

ALABAMA REGISTERED PROFESSIONAL ENGINEER
 JAMES P. BARNES
 06/24/2018

ISSUE	DATE
100%	2018.04.18
Issue for Bid	2018.05.25

USA SIMULATION LAB
 MOBILE, ALABAMA
 ABC # 2017372
 GMC # AMOB160019

FOUNDATION SECTIONS AND DETAILS
S3.3
 SHEET OF

Order Plans @