

**BARTER & ASSOCIATES, INC.**  
 Structural Engineers  
 1614 GOVERNMENT ST.  
 MOBILE, AL 36604-1102  
 PH. 251-473-8354  
 FAX 251-473-8356  
 © Copyright 2017, Barter & Associates, Inc.

**GMC**

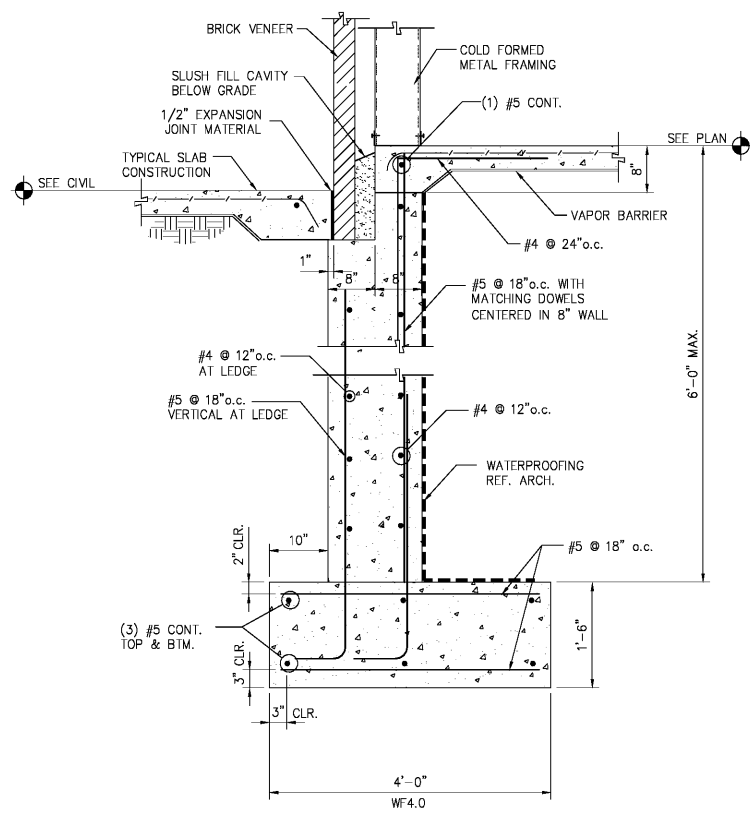
2701 1st Avenue S  
 Birmingham, AL 35233  
 T 205 879 4462  
 GMCNETWORK.COM

ALABAMA REGISTERED PROFESSIONAL ENGINEER  
 JAMES P. BARBER  
 06/24/2018

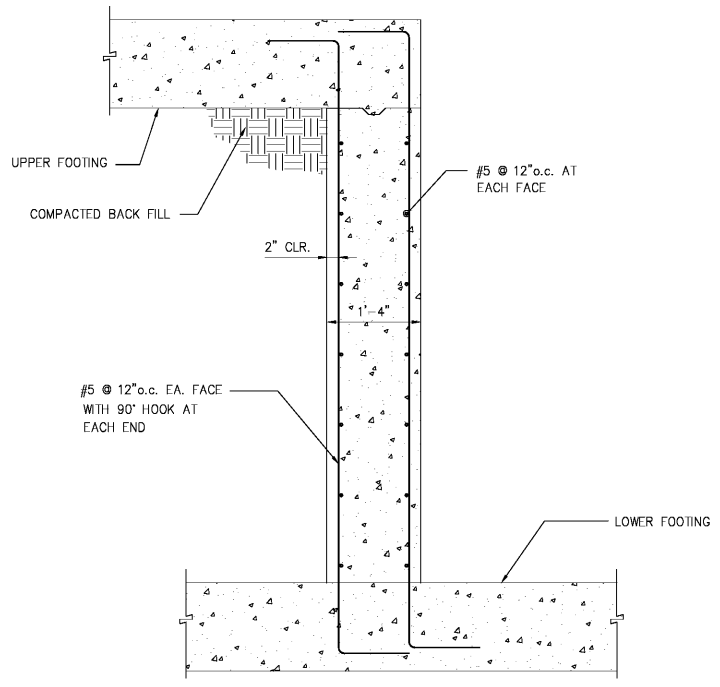
ISSUE	DATE
100%	2018.04.18
Issue for Bid	2018.05.25

USA SIMULATION LAB  
 MOBILE, ALABAMA  
 ABC # 2017372  
 GMC # AMOB160019

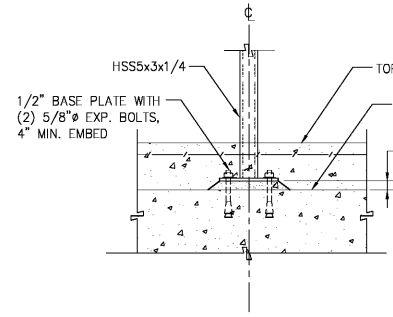
FOUNDATION SECTIONS AND DETAILS  
**S3.2**  
 Sheet of



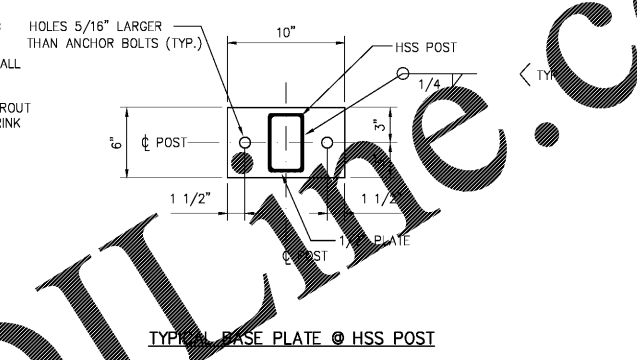
**SECTION 1**  
 SCALE: 1"=1'-0"



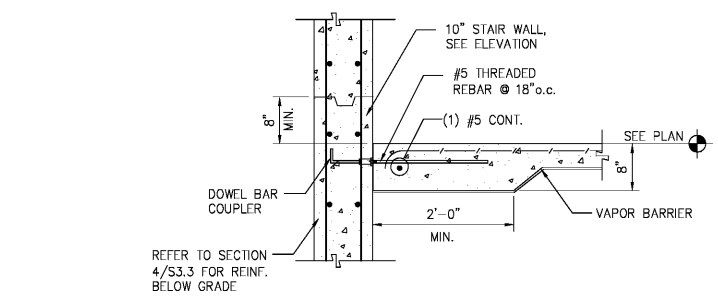
**SECTION 2**  
 SCALE: 1"=1'-0"



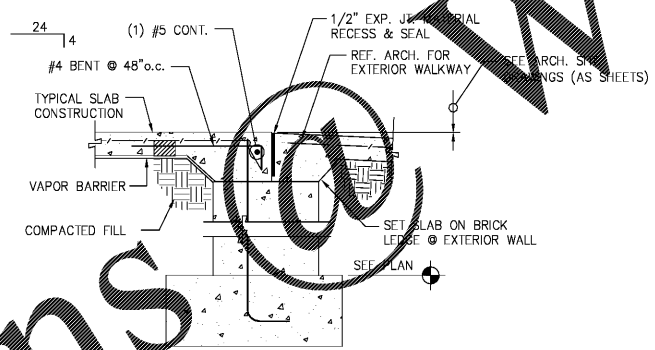
**SECTION 3**  
 SCALE: 1"=1'-0"



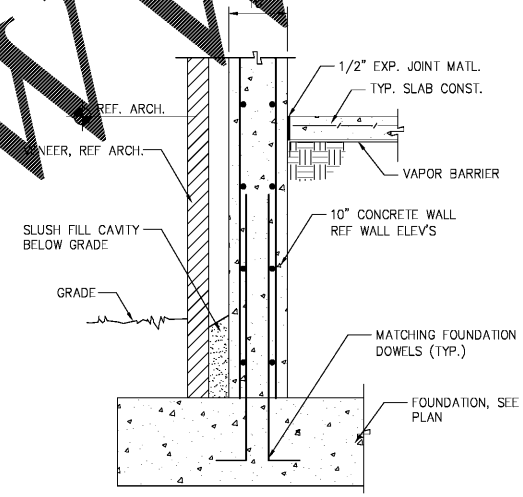
**SECTION 4**  
 SCALE: 1"=1'-0"



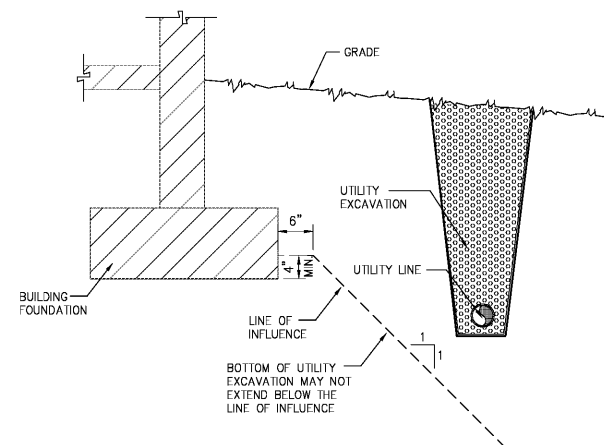
**SECTION 4**  
 SCALE: 1"=1'-0"



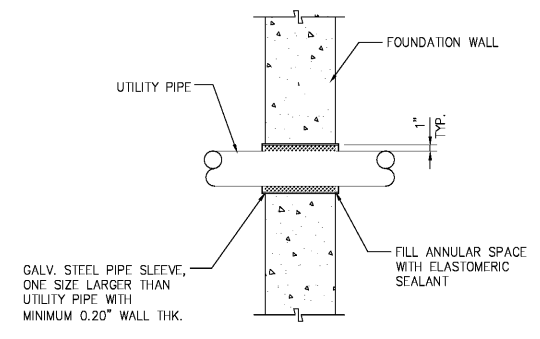
**SECTION 5**  
 SCALE: 1"=1'-0"



**SECTION 6**  
 SCALE: 1"=1'-0"



**SECTION 7**  
 NOT TO SCALE



**SECTION 8**  
 NOT TO SCALE

Order Plans @ WWW.LDLINE.COM