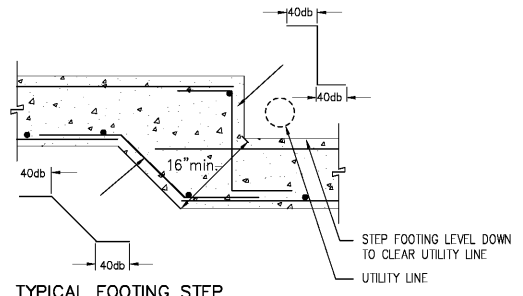
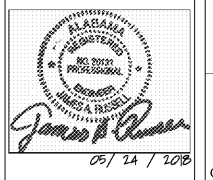


BARTER & ASSOCIATES, INC.
 Structural Engineers
 1614 GOVERNMENT ST.
 MOBILE, AL 36604-1102
 PH. 251-473-8354
 FAX 251-473-8356
 © Copyright 2017, Barter & Associates, Inc.

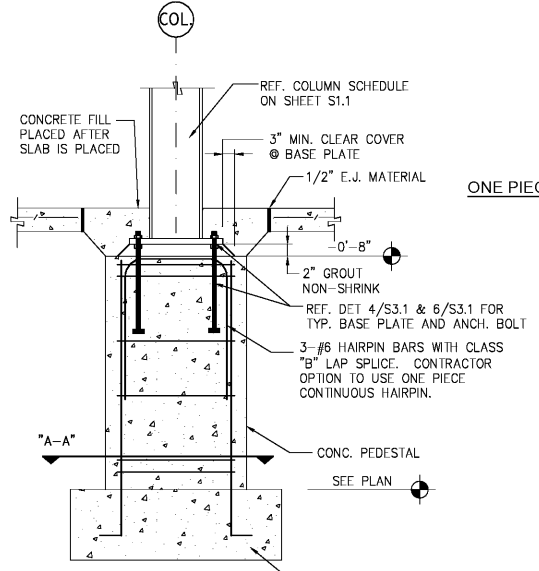
GMC

2701 1st Avenue S
 Birmingham, AL 35233
 T 205 879 4462
 GMCNETWORK.COM

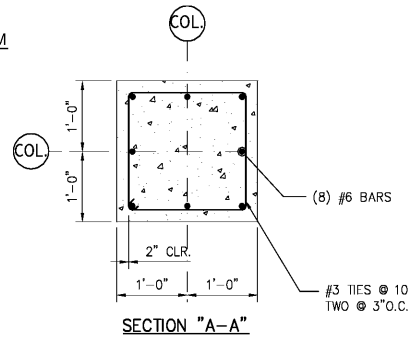


TYPICAL FOOTING STEP
SECTION 1
 NOT TO SCALE (S3.1)

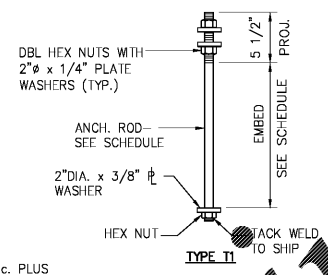
FOOTING STEP NOTES:
 1. USE WHERE INDICATED AND AT LOCATIONS WHERE UTILITIES WOULD OTHERWISE INTERFERE WITH FOOTING
 2. WHERE UTILITY LINE OR CLUSTER OF LINES EXCEEDS 8" IN ANY DIRECTION, PROVIDE 1-#5 ON ALL FOUR SIDES OF PENETRATION AND EXTEND REINF. 16" MIN. IN EACH DIRECTION BEYOND PENETRATION.



TYPICAL INTERIOR COLUMN
SECTION 2
 SCALE: 1"=1'-0" (S3.1)

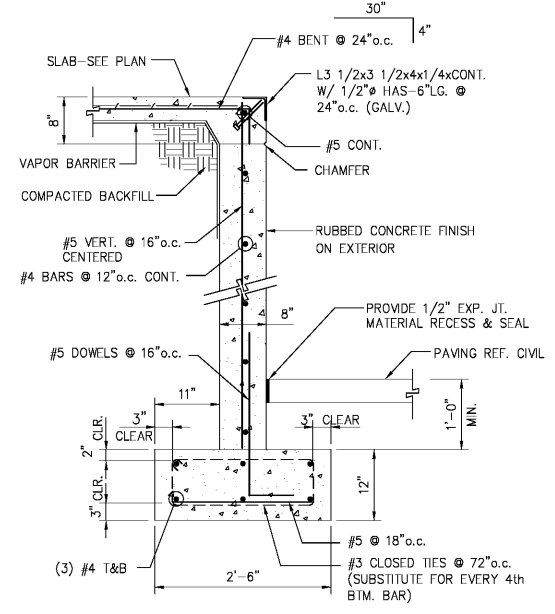


TYPICAL INTERIOR COLUMN PEDESTALS
DETAIL 3
 NOT TO SCALE (S3.1)

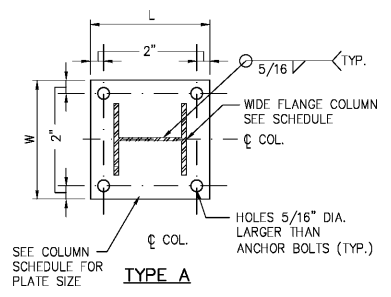


TYPICAL COLUMN ANCHOR BOLTS
DETAIL 4
 NOT TO SCALE (S3.1)

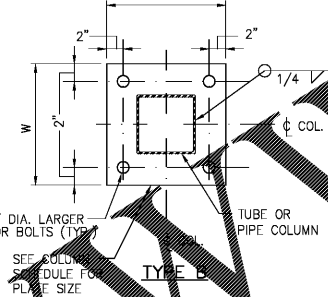
NOTES:
 1. ANCHOR RODS TO MEET MIN FT55 GRADE
 2. WASH IS PLAIN, UNCOATED EXCEPT FOR
 3. COLUMN IS GALVANIZED, USE GALVANIZED ANCHOR RODS



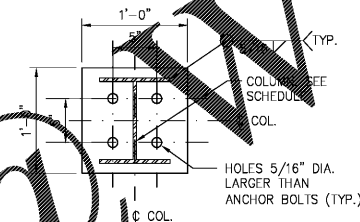
TYPICAL LOADING DOCK STEM WALL
SECTION 5
 SCALE: 1"=1'-0" (S3.1)



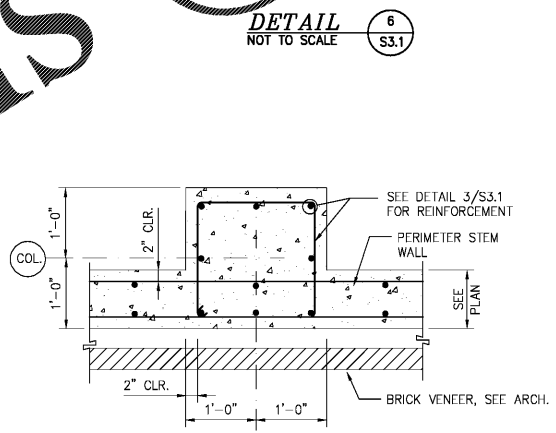
TYPICAL COLUMN BASE PLATES
TYPE A



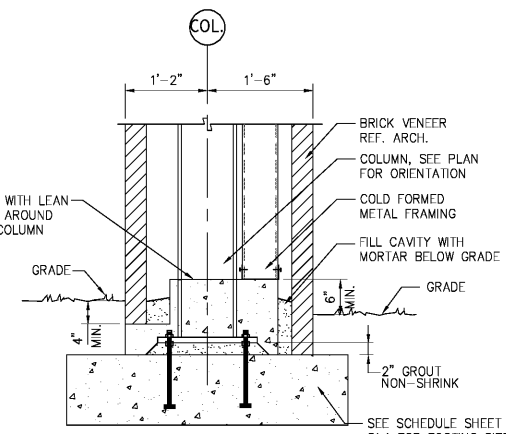
TYPICAL COLUMN BASE PLATES
TYPE B



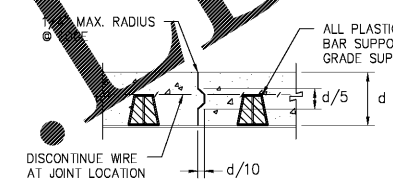
TYPICAL COLUMN BASE PLATES
TYPE C



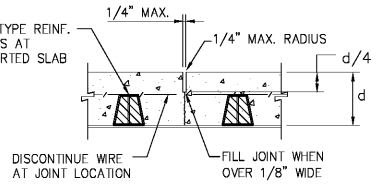
TYPICAL EXTERIOR COLUMN PEDESTALS
SECTION 'B-B'
DETAIL 9
 SCALE: 1"=1'-0" (S3.1)



TYPICAL EXTERIOR BUILDING COLUMN
SECTION 10
 SCALE: 1"=1'-0" (S3.1)

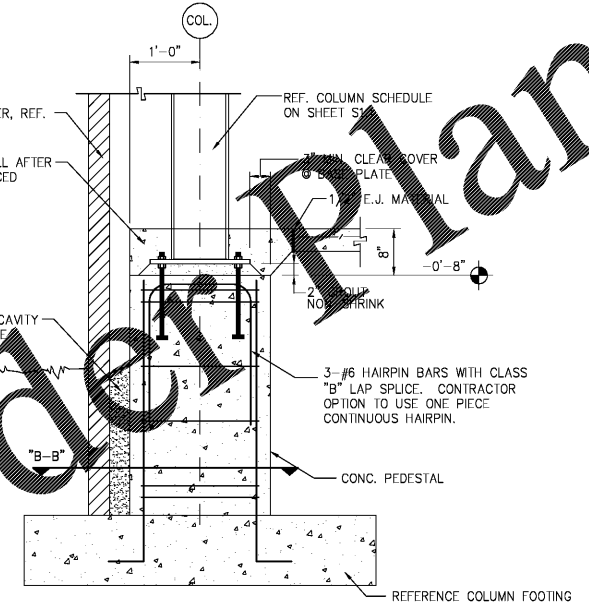


PREFORMED METAL KEYWAY CONSTRUCTION JOINT



SAWED JOINT
NOTE:
 SAWCUTTING SHALL BE PERFORMED 4-12 HOURS AFTER PLACING CONCRETE.

TYPICAL SLAB-ON-GRADE JOINTS
SECTION 7
 NOT TO SCALE (S3.1)



TYPICAL PERIMETER COLUMN
SECTION 8
 SCALE: 1"=1'-0" (S3.1)

Order Plans @ WWW.LDLINE.COM

USA SIMULATION LAB
 MOBILE, ALABAMA
 ABC # 2017372
 GMC # AMOB160019

TYPICAL SECTIONS AND DETAILS - FOUNDATION
S3.1
 SHEET OF

ISSUE	DATE
100%	2018.04.18
Issue for Bid	2018.05.25

DRAWN BY: ISCM
 CHECKED BY: JAR