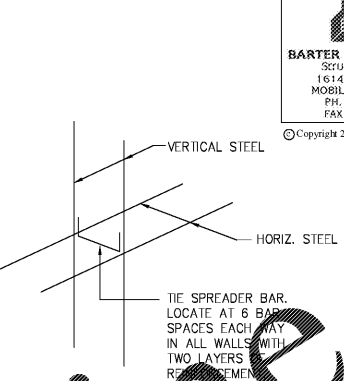
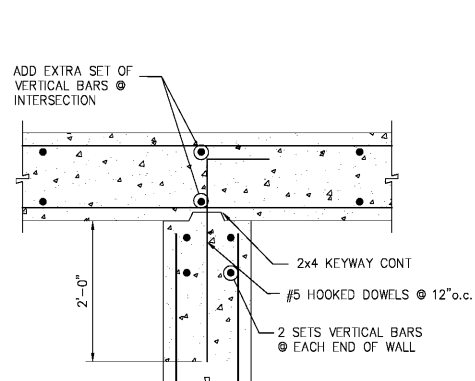
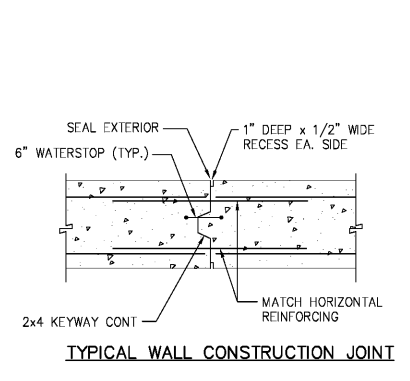
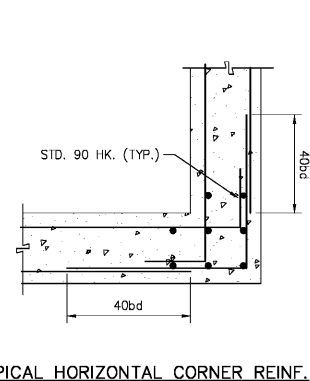
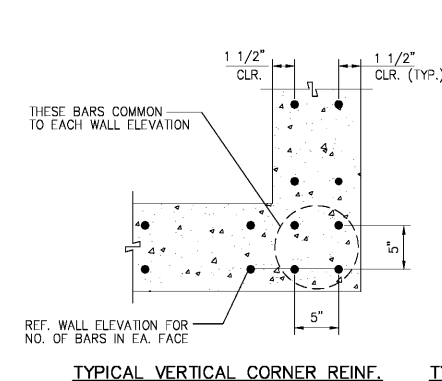
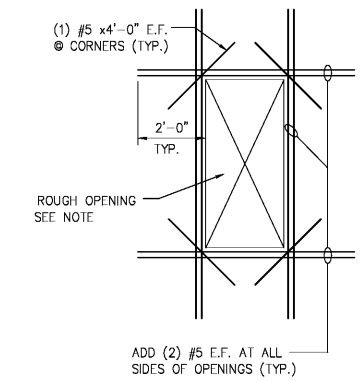


BARTER & ASSOCIATES, INC.
 Structural Engineers
 1614 GOVERNMENT ST.
 MOBILE, AL 36604-1102
 PH. 251-473-8354
 FAX 251-473-8356
 ©Copyright 2017, Barter & Associates, Inc.



NOTE:
 1. VERIFY EXACT SIZE AND LOCATION OF OPENINGS WITH ARCHITECTURAL DRAWINGS.
TYPICAL WALL REINF. @ OPENING

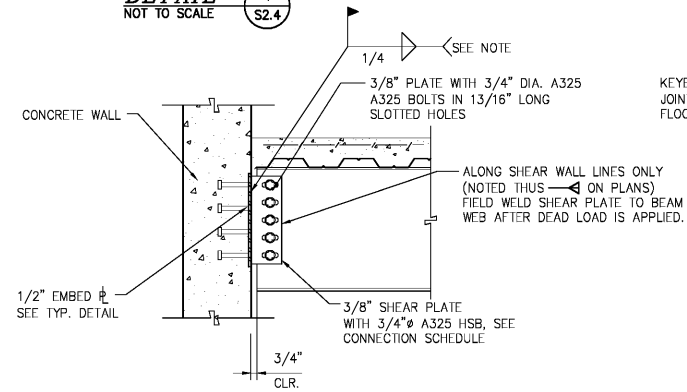
DETAIL 1
 NOT TO SCALE S2.4

DETAIL 2
 NOT TO SCALE S2.4

DETAIL 3
 NOT TO SCALE S2.4

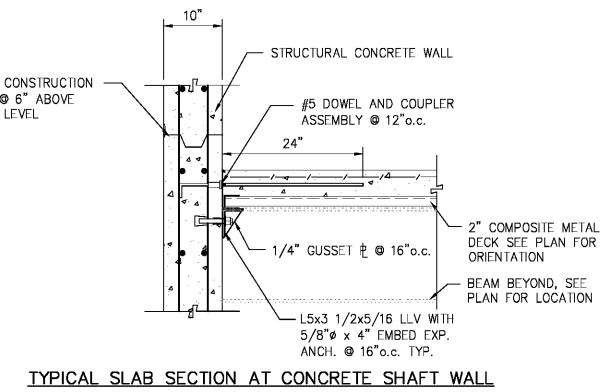
DETAIL 4
 NOT TO SCALE S2.4

DETAIL 5
 NOT TO SCALE S2.4



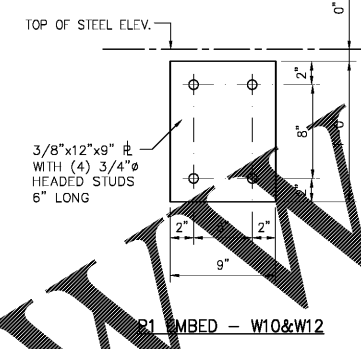
NOTE:
 PROVIDE VISUAL INSPECTION OF FIELD WELD
TYPICAL STEEL BEAM CONNECTION AT CONCRETE WALL

SECTION 6
 NOT TO SCALE S2.4



TYPICAL SLAB SECTION AT CONCRETE SHAFT WALL

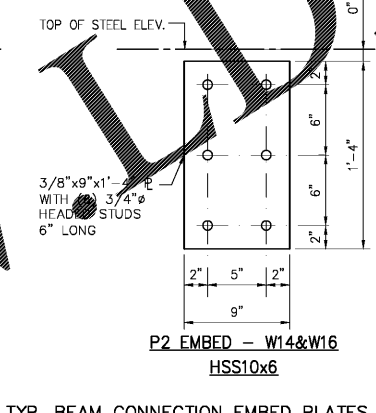
SECTION 7
 SCALE: 1"=1'-0" S2.4



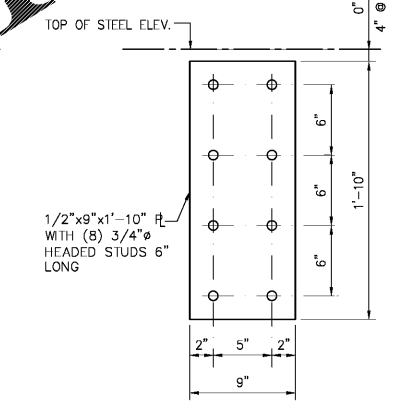
P1 EMBED - W10&W12

TYP. BEAM CONNECTION EMBED PLATES

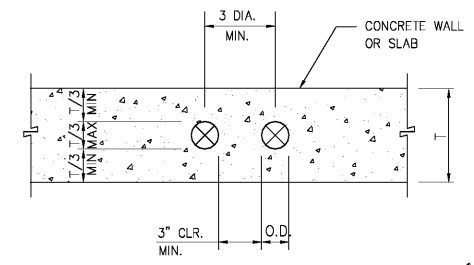
DETAIL 8
 NOT TO SCALE S2.4



P2 EMBED - W14&W16 HSS10x6

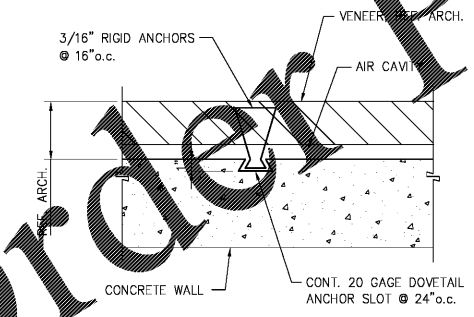


P3 EMBED - W18&W21



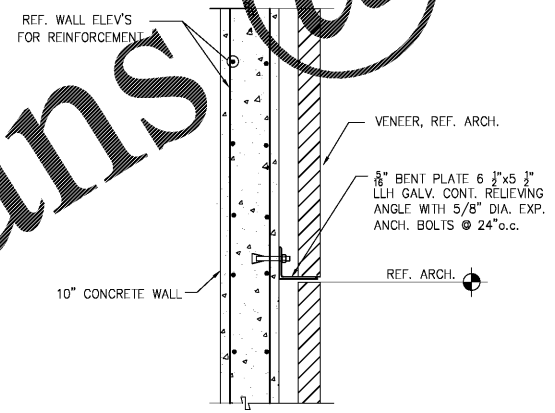
TYPICAL EMBEDDED PIPE AND CONDUIT DETAIL

DETAIL 9
 NOT TO SCALE S2.4



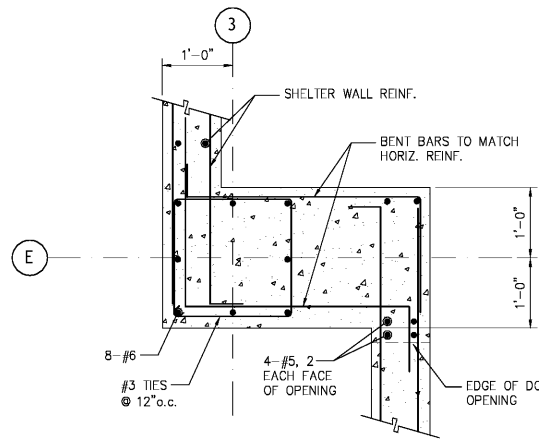
TYPICAL ANCHORAGE FOR VENEER TO CONCRETE WALL BACK-UP

DETAIL 10
 NOT TO SCALE S2.4

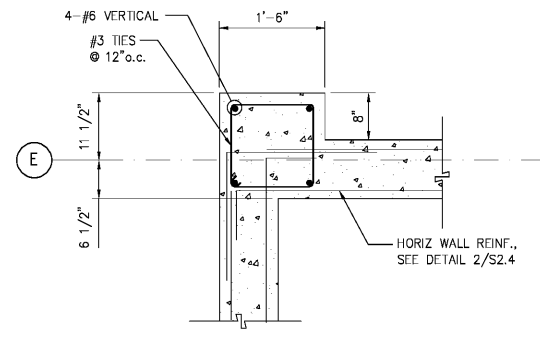


TYPICAL BRICK RELIEVING ANGLE AT CONCRETE WALL

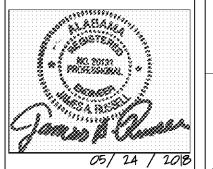
SECTION 11
 SCALE: 1"=1'-0" S2.4



DETAIL 12
 SCALE: 1"=1'-0" S2.4



DETAIL 13
 SCALE: 1"=1'-0" S2.4



2701 1st Avenue S
 Birmingham, AL 35233
 T 205.879.4462
 GMCNETWORK.COM

ISSUE	DATE
100%	2018.04.18
Issue for Bid	2018.05.25

DRAWN BY: JSCM
 CHECKED BY: JAR

USA SIMULATION LAB
 MOBILE, ALABAMA
 ABC # 2017372
 GMC # AMOB160019

TYPICAL SECTIONS AND DETAILS
 - CONCRETE WALLS
S2.4
 Sheet of

Order Plans @ WWW.LDOnline.com