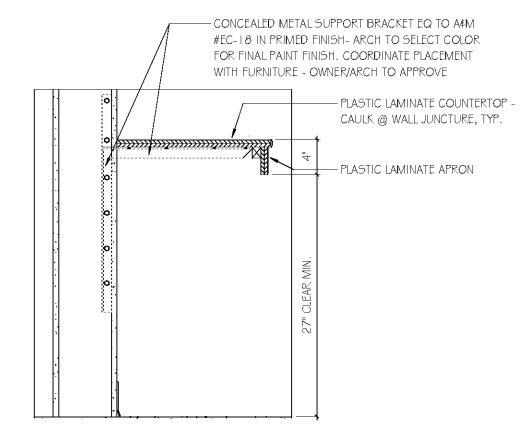
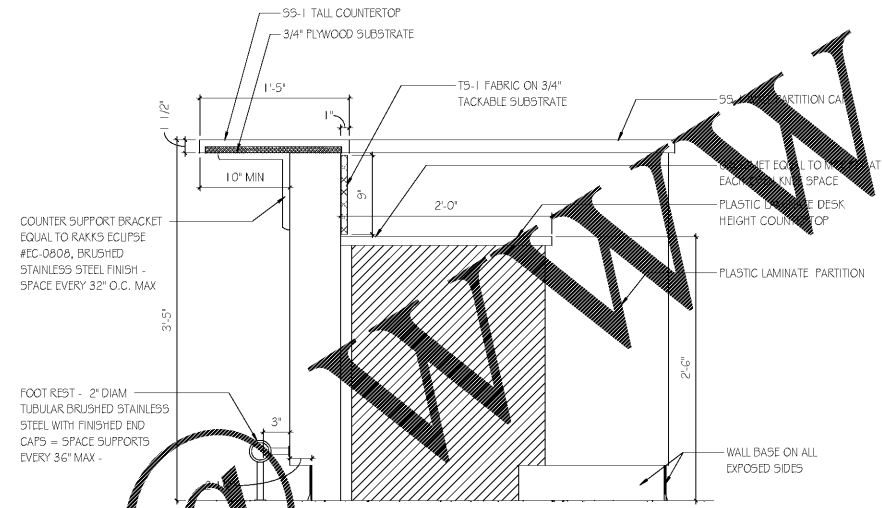


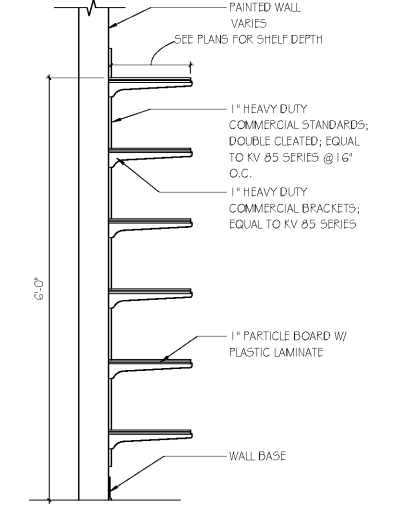
5/25/2019 4:14:45 PM



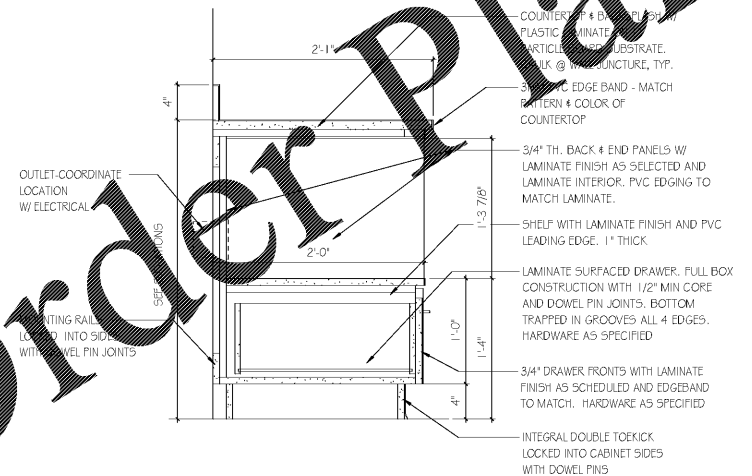
D1 ADA WRITING DESK SECTION
SCALE: 1 1/2" = 1'-0"



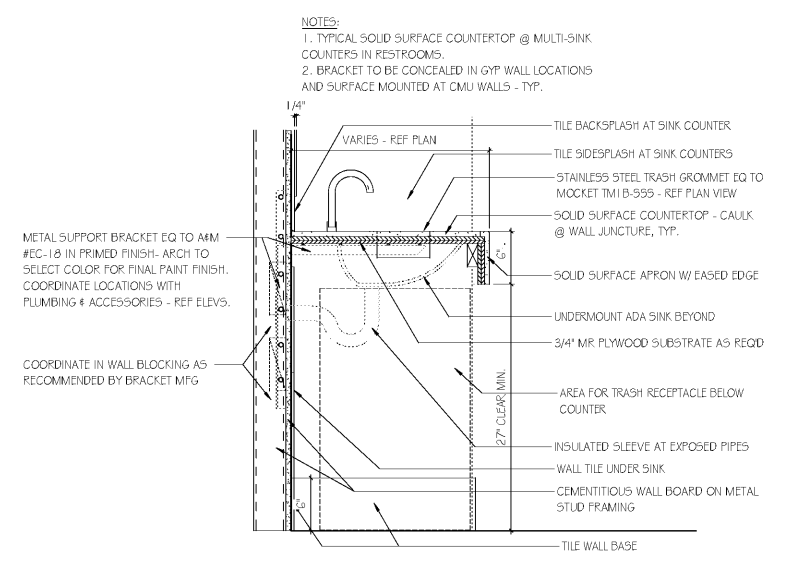
D5 SECTION - NURSE STATION
SCALE: 1 1/2" = 1'-0"



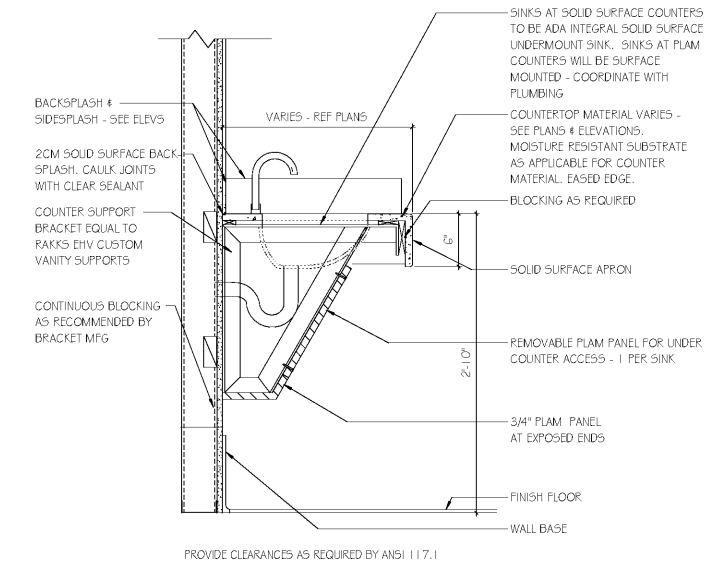
D10 TYPICAL STORAGE CLOSET SHELVING
SCALE: 1" = 1'-0"



A1 TYP. BASE MICROWAVE CABINET
SCALE: 1 1/2" = 1'-0"



A5 COUNTERTOP W/CONCEALED BRACKET
SCALE: 1 1/2" = 1'-0"



A9 ADA SINK BASE SECTION
SCALE: 1 1/2" = 1'-0"

Order Plans

WWW.LDILine.COM GMC

ISSUE DATE	ISSUE FOR BID
	2019.05.25

SIMULATION LABORATORY
 BUILDING - USA JOB #16-07
 MOBILE, ALABAMA
 ABC #2017372
 GMC # AMOB160019



MILLWORK DETAILS
A7.11
 sheet of

2701 1st Avenue S
 Birmingham, AL 35233
 T 205.879.4462
 GMCNETWORK.COM