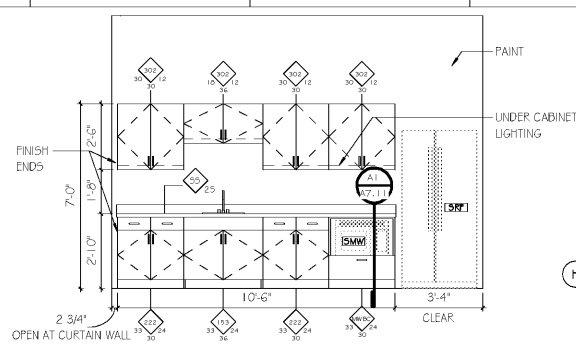
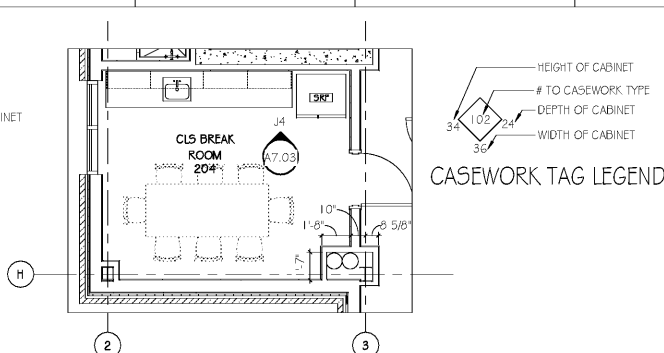


J1 FACULTY BREAKROOM
SCALE: 3/8" = 1'-0"

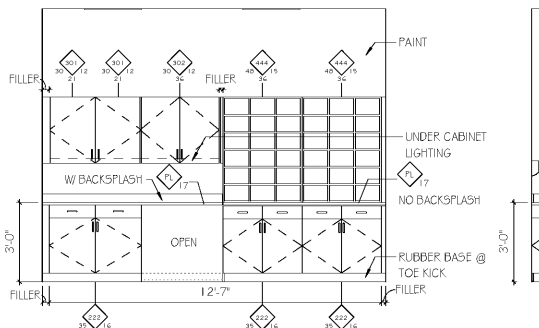
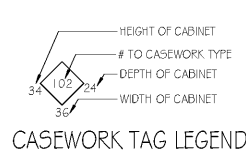


J4 CLS BREAKRM 204
SCALE: 3/8" = 1'-0"

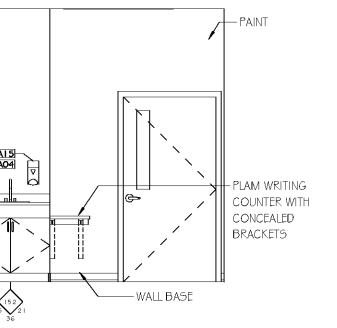


J7 CLS BREAKRM 204
SCALE: 1/4" = 1'-0"

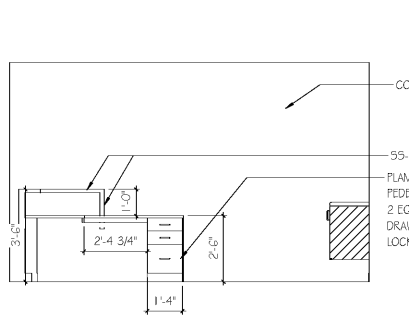
CASEWORK SCHEDULE		
*NOTE: PLASTIC LAMINATE CASEWORK - REF ELEVATIONS FOR SIZES		
CDS #	CASEWORK TYPE	DESCRIPTION
100	BASE CAB	OPEN W/ ONE ADJUSTABLE SHELF
102	BASE CAB	DOUBLE DOORS, NO DRAWERS - ONE ADJUSTABLE SHELF
102M	BASE CAB	"FLOATING" WALL HUNG CABINET W/ DBL DOORS, MAGNETIC PUSH TO OPEN AND CONCEALED HINGES - PROVIDE ONE SHELF IN EACH
152	BASE CAB	SINK BASE W/FALSE DRWR FRONT
153	BASE CAB	SINK BASE W/FALSE DRWR / REMOVABLE TOE FOR ADA
222	BASE CAB	DBL DOORS / DBL DRWRS
222	BASE CAB	DBL DOORS / DBL DRWRS - ONE ADJUSTABLE SHELF
301	WALL CAB	SGL DOOR - ONE ADJUSTABLE SHELF IN CABINETS OVER 18-24" H, 2 SHELVES @ 25"
302	WALL CAB	DBL DOORS - ONE ADJUSTABLE SHELF IN CABINETS OVER 18-24" H, 2 SHELVES @ 25"
424	TALL STG CAB	4 DOORS - 1 FIXED SHELF & 4 ADJUSTABLE SHELVES - LOCKING
444	TALL STG	MAIL CABINET HUTCH - 3 COLUMNS WITH 5 SHELVES EACH TO ACCOMMODATE 18 EQUIP SIZED MAIL SLOTS
ADA	BASE CAB	ADA SINK VANITY W/ SLOPED FRONT
MWBC	BASE CAB	MICROWAVE CABINET WITH DRAWER



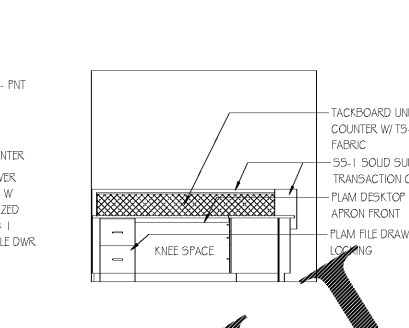
G1 COPY ROOM 240
SCALE: 3/8" = 1'-0"



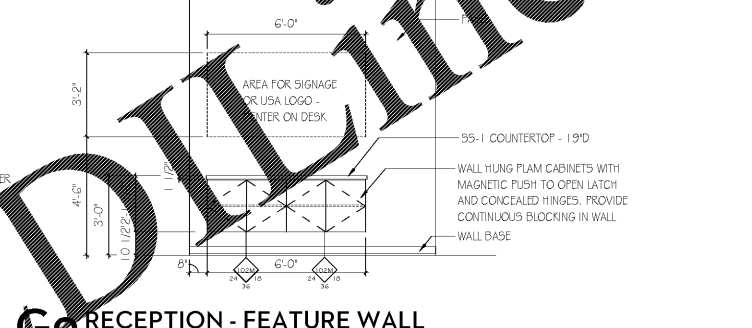
G3 CS-PATIENT RM -TYP 2
SCALE: 3/8" = 1'-0"



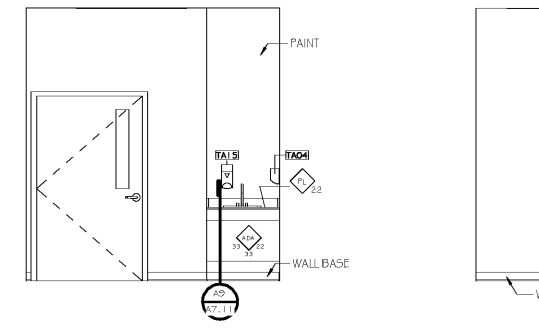
G5 RECEPTION DESK - INSIDE-2
SCALE: 3/8" = 1'-0"



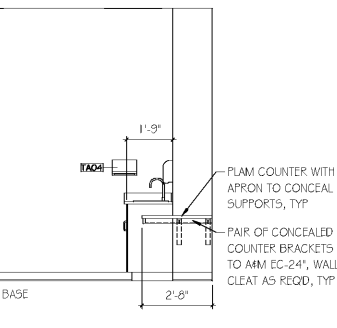
G7 RECEPTION DESK - INSIDE-1
SCALE: 1/2" = 1'-0"



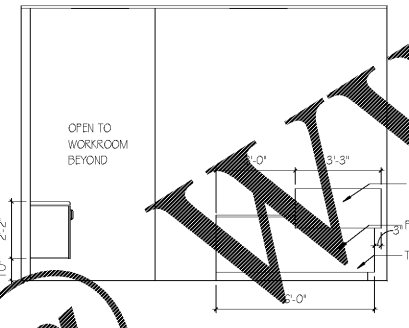
G9 RECEPTION - FEATURE WALL
SCALE: 3/8" = 1'-0"



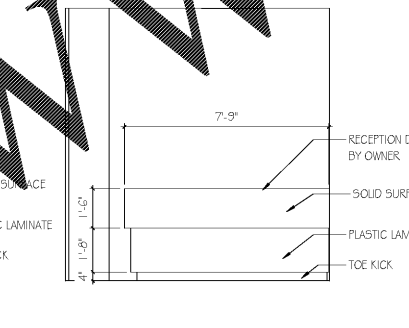
D1 CLS PATIENT ADA-TYP
SCALE: 3/8" = 1'-0"



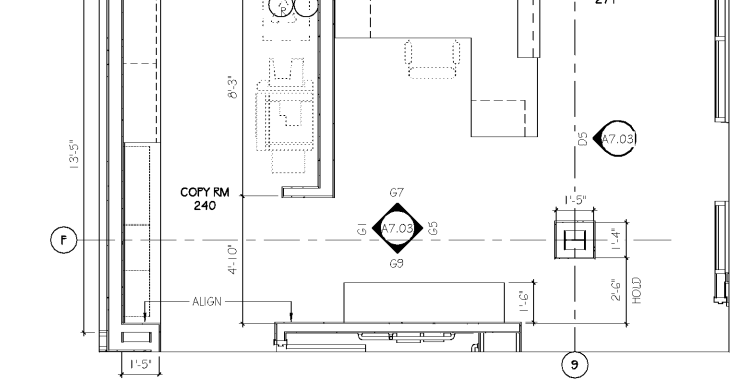
D3 CS PATIENT RM TYP 1
SCALE: 3/8" = 1'-0"



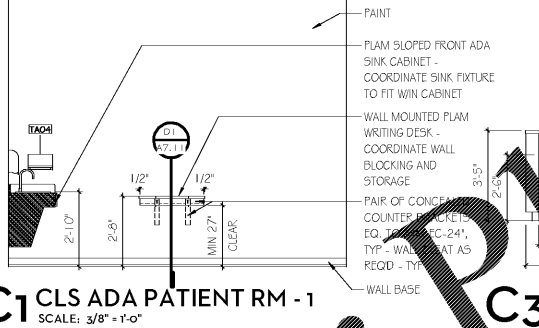
D5 RECEPTION DESK - FRONT-2
SCALE: 3/8" = 1'-0"



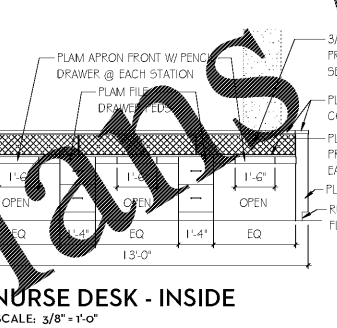
D7 RECEPTION DESK - FRONT-1
SCALE: 3/8" = 1'-0"



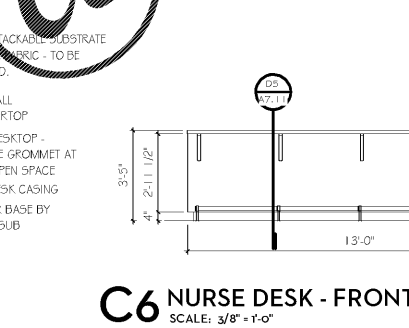
D9 ENLARGED PLAN - FACULTY RECEPTION
SCALE: 3/8" = 1'-0"



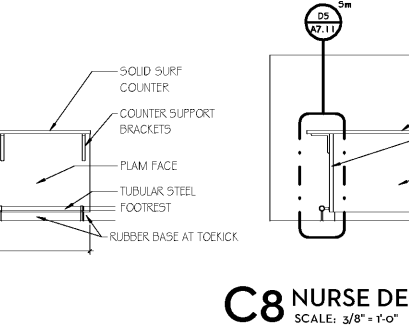
C1 CLS ADA PATIENT RM - 1
SCALE: 3/8" = 1'-0"



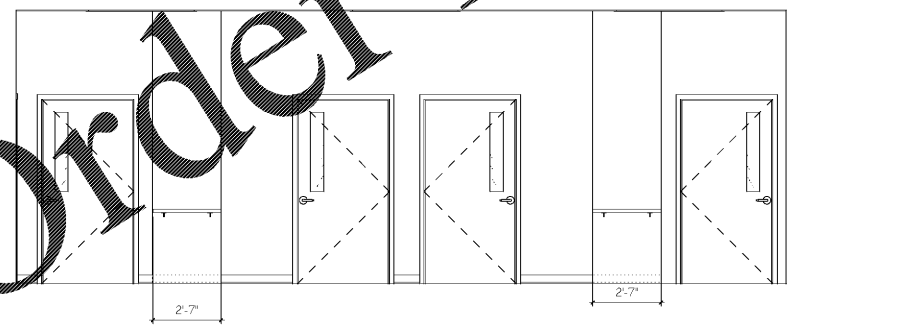
C3 NURSE DESK - INSIDE
SCALE: 3/8" = 1'-0"



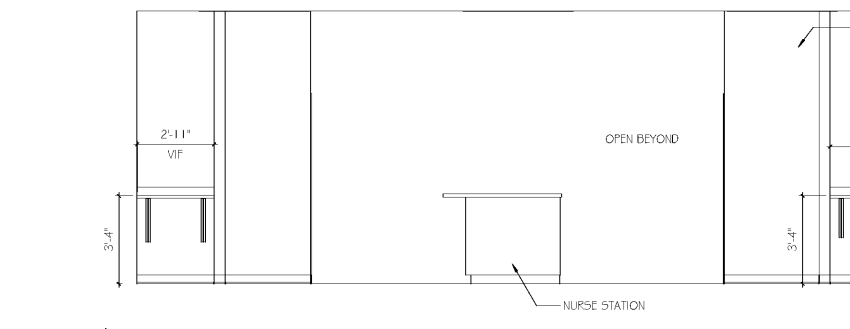
C6 NURSE DESK - FRONT
SCALE: 3/8" = 1'-0"



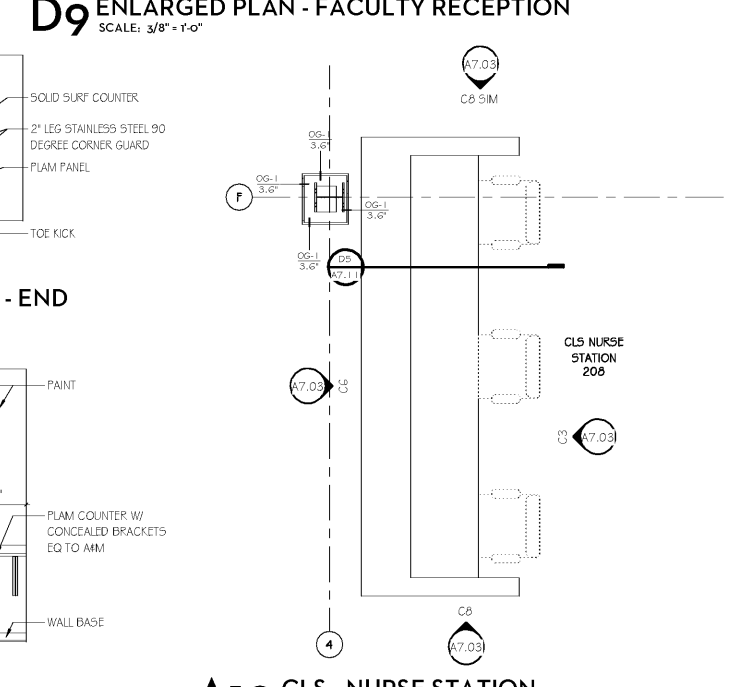
C8 NURSE DESK - END
SCALE: 3/8" = 1'-0"



A1 CLINICAL-SIM - E
SCALE: 3/8" = 1'-0"



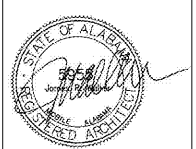
A6 CLINICAL-SIM - W
SCALE: 3/8" = 1'-0"



A10 CLS - NURSE STATION
SCALE: 1/2" = 1'-0"

ISSUE	DATE
ISSUE FOR BID	2019.05.25

SIMULATION LABORATORY
BUILDING - USA JOB #16-07
MOBILE, ALABAMA
ABC #2017372
GMC # AMOB160019



ENLARGED PLANS
AND ELEVATIONS
A7.03
Sheet of

2701 1st Avenue S
Birmingham, AL 35233
T 205.879.4462
GMCNETWORK.COM