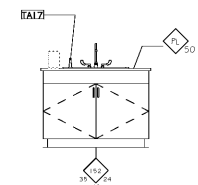


J1 SKILLS LAB - ISLAND SIDE TYP
SCALE: 3/8" = 1'-0"



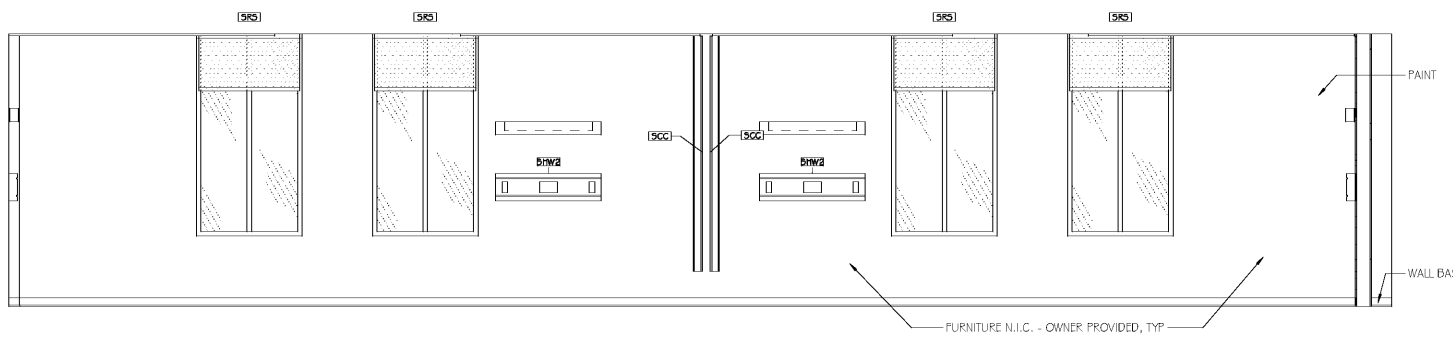
J4 SKILLS LAB - ISLAND END TYP
SCALE: 3/8" = 1'-0"

COUNTERTOP TAG LEGEND:
XX MATERIAL ABBREVIATION
DEPTH #

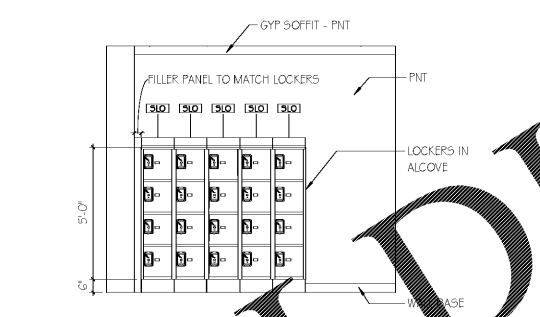
CASEWORK TAG LEGEND:
CDS#
HEIGHT # DEPTH #
WIDTH #

CASEWORK SCHEDULE		
*NOTE: PLASTIC LAMINATE CASEWORK - REF ELEVATIONS FOR SIZES		
CDS #	CASEWORK TYPE	DESCRIPTION
100	BASE CAB	OPEN W/ ONE ADJUSTABLE SHELF
102	BASE CAB	DOUBLE DOORS, NO DRAWERS - ONE ADJUSTABLE SHELF
102M	BASE CAB	"FLOATING" WALL HUNG CABINET W/ DBL DOORS, MAGNETIC PUSH TO OPEN AND CONCEALED HINGES - PROVIDE ONE SHELF IN EACH
152	BASE CAB	SINK BASE W/FALSE DRWR FRONT
153	BASE CAB	SINK BASE W/FALSE DRWR / REMOVABLE TOE FOR ADA
222	BASE CAB	DBL DOORS / DBL DRWR
222	BASE CAB	DBL DOORS / DBL DRWR - ONE ADJUSTABLE SHELF
301	WALL CAB	5GL DOOR - ONE ADJUSTABLE SHELF IN CABINETS OVER 18-24" H, 2 SHELVES @ 15"-36"
302	WALL CAB	DBL DOORS - ONE ADJUSTABLE SHELF IN CABINETS OVER 18-24" H, 2 SHELVES @ 15"-36"
424	TALL STG CAB	4 DOORS - 1 FIXED SHELF & 4 ADJUSTABLE SHELVES - LOCKING
444	TALL STG	MAIL CABINET HUTCH - 3 COLUMNS WITH 5 SHELVES EACH TO ACCOMMODATE 8 EQUAL SIZED MAIL SLOTS
ADA	BASE CAB	ADA SINK VANITY W/ SLOPED FRONT
MWBC	BASE CAB	MICROWAVE CABINET WITH DRAWER

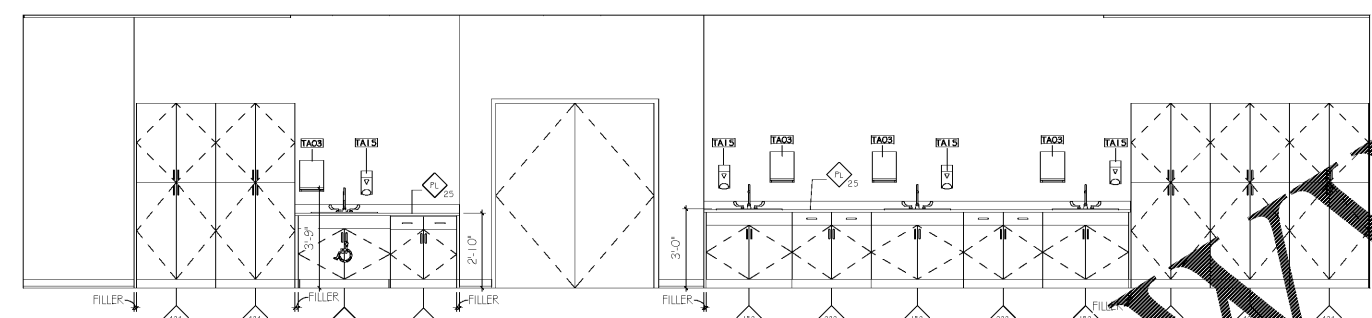
SPECIALTY EQUIPMENT SCHEDULE		
FEC	FIRE EXTINGUISHER CABINET	INSTALL BY CONTRACTOR
SCC	CUBICLE CURTAIN ON CEILING TRACK - REF FINISH LEGEND	INSTALL BY CONTRACTOR
5D	APPLIANCE - COMMERCIAL W/ FURNISH #	INSTALL BY CONTRACTOR - COORDINATE MEPL ELEC
5H	HEADWALL SIMULATOR - OWNER PROVIDED - OFCI	INSTALL BY CONTRACTOR
5HW	HEADWALL SIMULATOR - NEW - COORDINATE WITH MEP	INSTALL BY CONTRACTOR
5IM	ICE MACHINE - OFCI - COORDINATE WITH MEP	INSTALL BY CONTRACTOR
5LO	LOCKER - 4 TIER - 15"W X 15"H X 12"D WITH 6" BASE & SLOPED TOP	INSTALL BY CONTRACTOR
5MS	SINK - CORNER MODEL - 30" X 30" - REF PLUMBING	INSTALL BY CONTRACTOR
5W	MICROWAVE - OFCI - COORDINATE LOCATION OF ELEC OUTLET	INSTALL BY CONTRACTOR
5R	REFRIGERATOR/FREEZER - SIDE BY SIDE - 36" MAX WIDTH, COORDINATE PLUMBING & ELEC. FURNISH #	INSTALL BY CONTRACTOR
5R	REFRIGERATOR - FREEZER ON TOP - FURNISH #	INSTALL BY CONTRACTOR
5RS	MANUALLY OPERATED ROLLER SHADE - REFERENCE RCP'S	INSTALL BY CONTRACTOR
5V	VENDING MACHINE - OWNER FURNISHED - COORDINATE ELECTRICAL	INSTALL BY CONTRACTOR
5W	APPLIANCE - COMMERCIAL WASHING MACHINE - FURNISH #	INSTALL BY CONTRACTOR - COORDINATE MEP



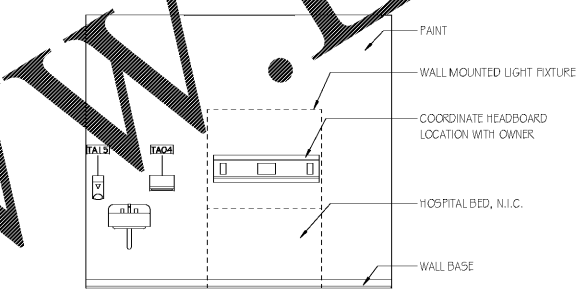
G1 SKILLS LAB 111 - N
SCALE: 3/8" = 1'-0"



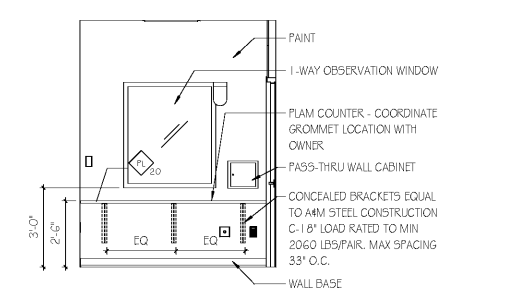
G8 CORR 200B - LOCKERS
SCALE: 3/8" = 1'-0"



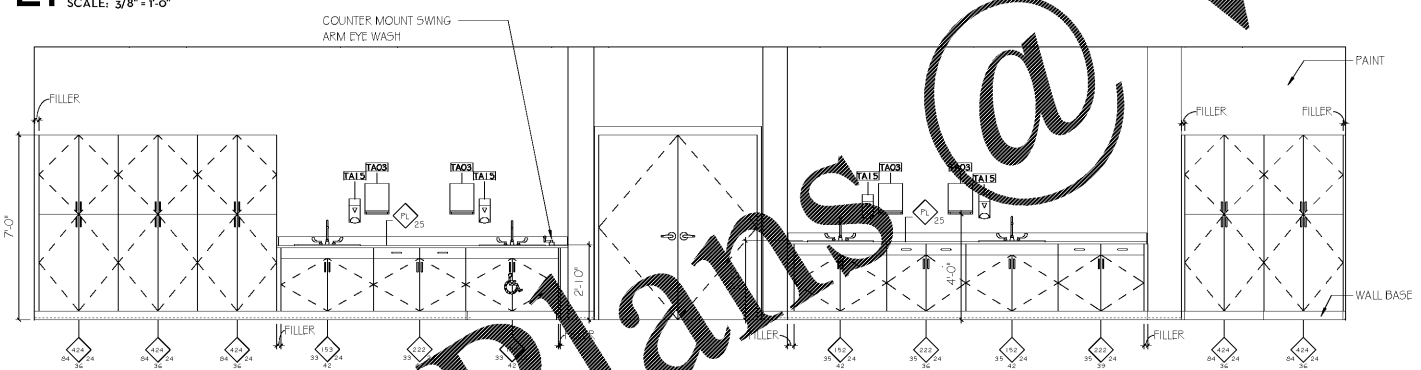
E1 SKILLS LAB 111 - S
SCALE: 3/8" = 1'-0"



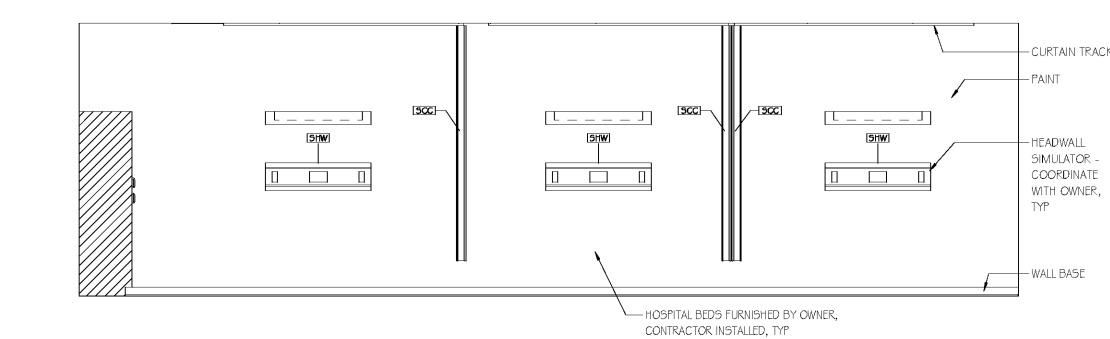
E8 SIM LAB 124 - TYP
SCALE: 3/8" = 1'-0"



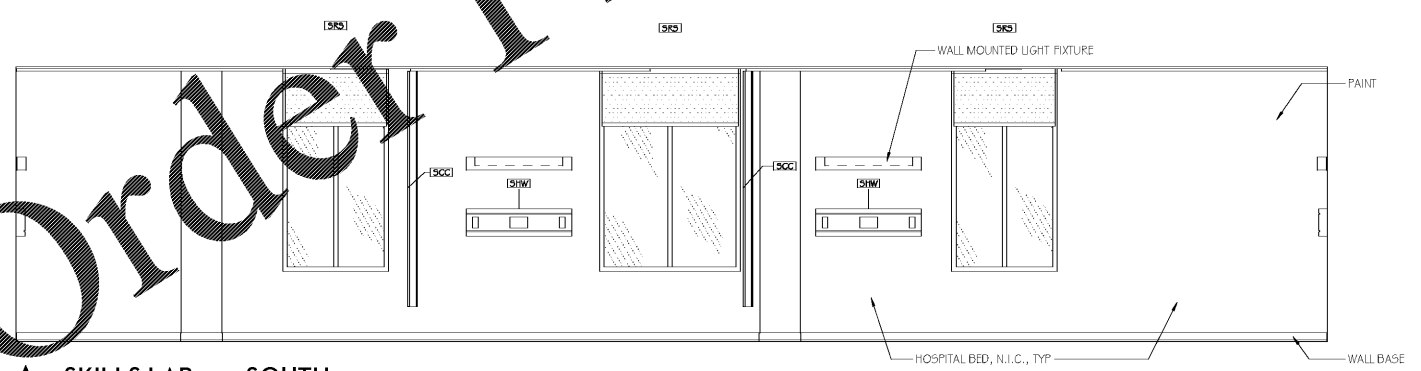
E10 OBS ROOM - TYP
SCALE: 3/8" = 1'-0"



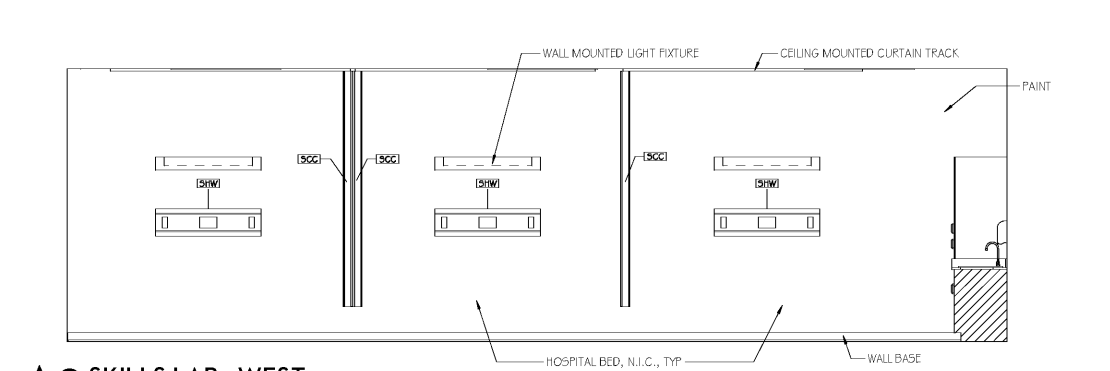
C1 SKILLS LAB 112 - NORTH
SCALE: 3/8" = 1'-0"



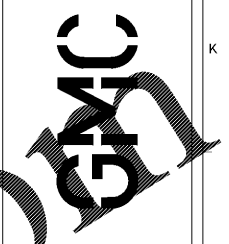
C8 SKILLS LAB - EAST
SCALE: 3/8" = 1'-0"



A1 SKILLS LAB 112 - SOUTH
SCALE: 3/8" = 1'-0"



A8 SKILLS LAB - WEST
SCALE: 3/8" = 1'-0"



2701 1st Avenue S
Birmingham, AL 35233
T 205.879.4462
GMCNETWORK.COM

ISSUE	DATE
ISSUE FOR BID	2019.05.25

SIMULATION LABORATORY
BUILDING - USA JOB #16-07
MOBILE, ALABAMA
ABC #2017372
GMC # AMOB160019



INTERIOR
ELEVATIONS - LABS

A7.02
Sheet of

Order Plans @

WWW.LDLINE.COM