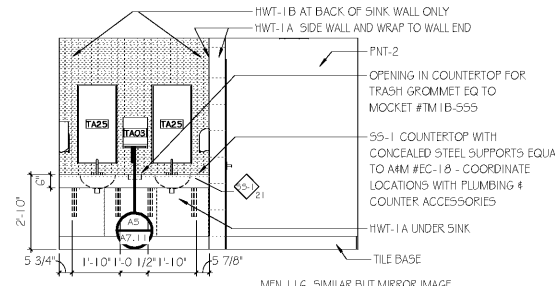
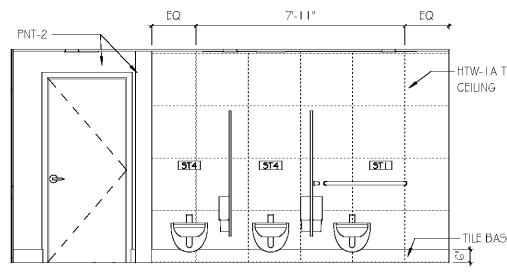


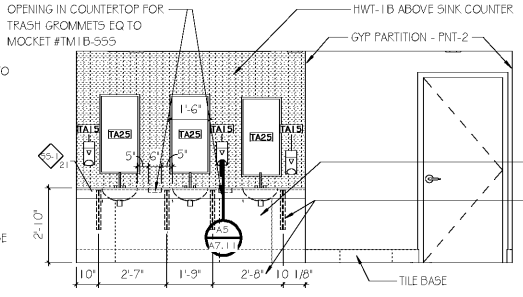
**J1 WOMEN 118 - S**  
SCALE: 3/8" = 1'-0"



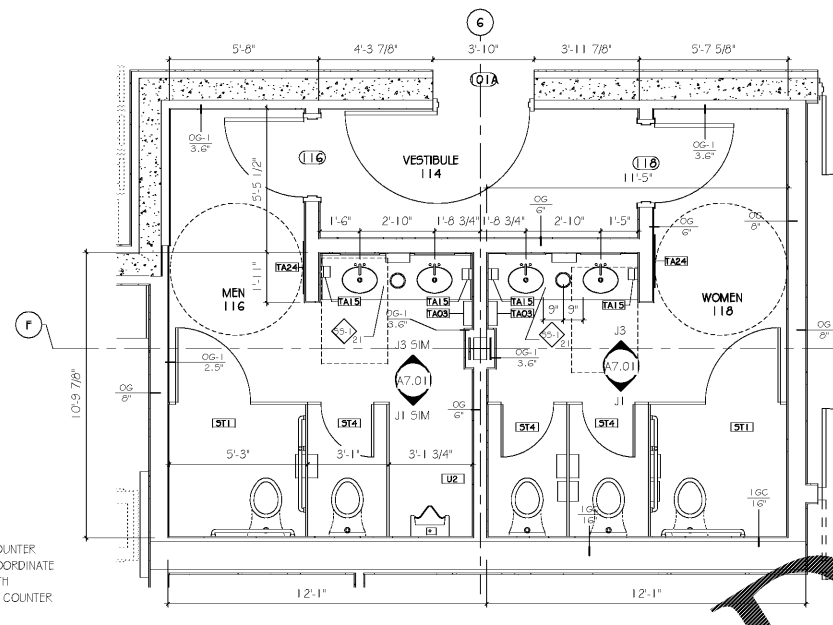
**J3 WOMEN 118 - N**  
SCALE: 3/8" = 1'-0"



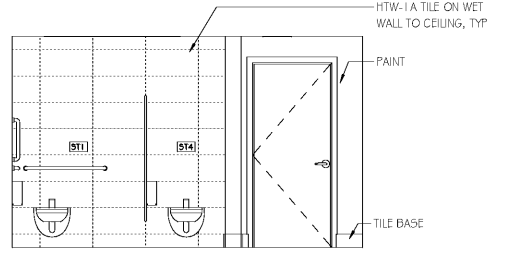
**G1 WOMEN'S RR 234 - NORTH**  
SCALE: 3/8" = 1'-0"



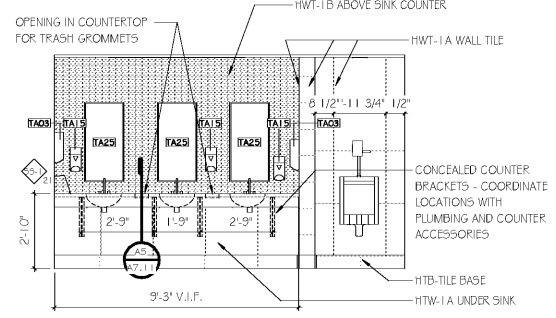
**G3 WOMEN'S RR 234 - SOUTH**  
SCALE: 3/8" = 1'-0"



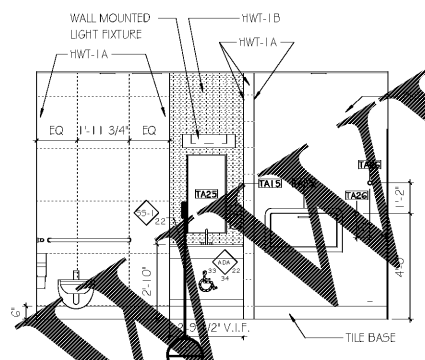
**G6 LEVEL 1 RESTROOMS**  
SCALE: 3/8" = 1'-0"



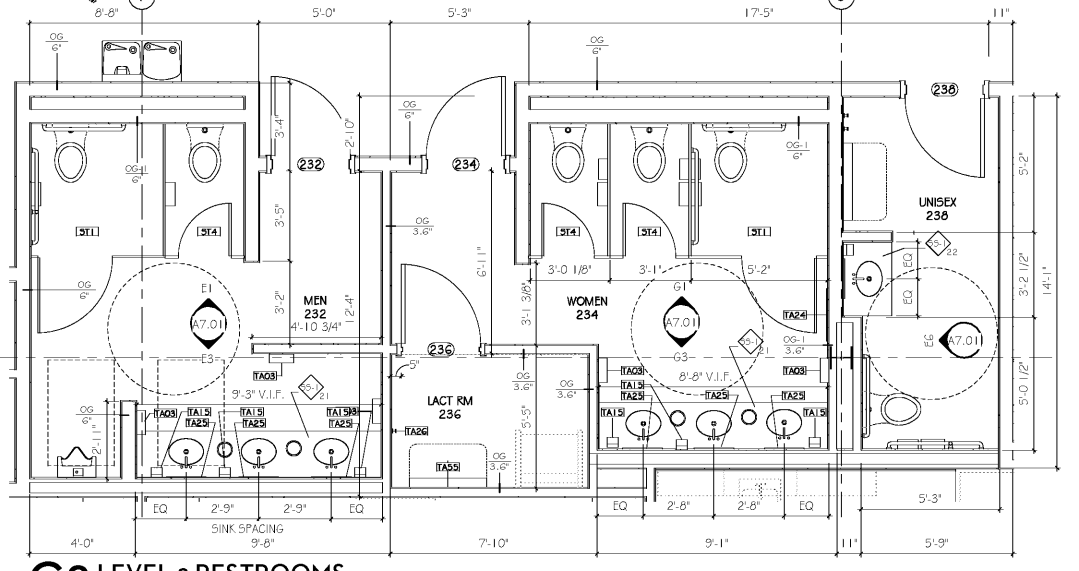
**E1 MEN'S RR 232 - NORTH**  
SCALE: 3/8" = 1'-0"



**E3 MEN'S RR 232 - SOUTH**  
SCALE: 3/8" = 1'-0"



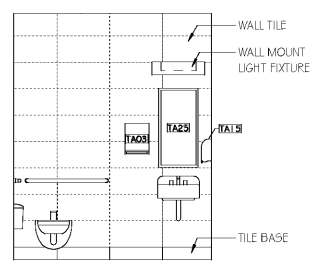
**E6 FAMILY RR 238**  
SCALE: 3/8" = 1'-0"



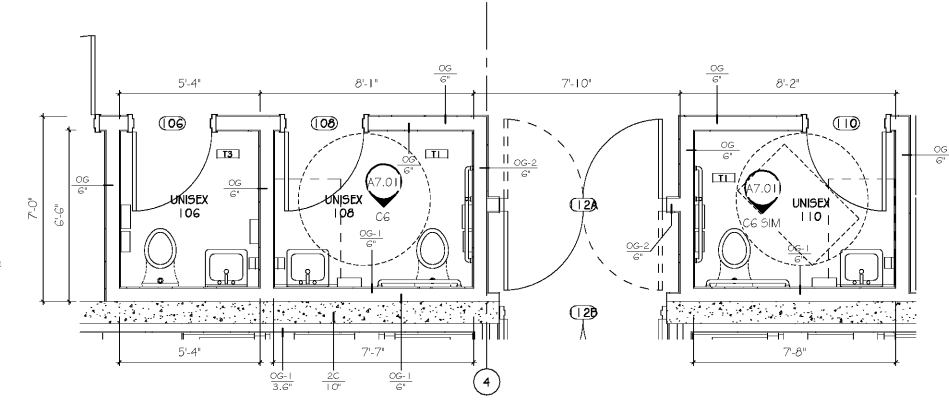
**C8 LEVEL 2 RESTROOMS**  
SCALE: 3/8" = 1'-0"



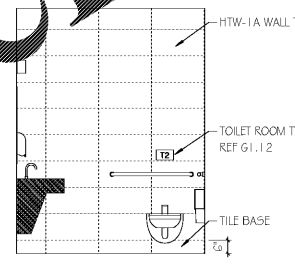
**C4 FACULTY TLT - TYP ELEV**  
SCALE: 3/8" = 1'-0"



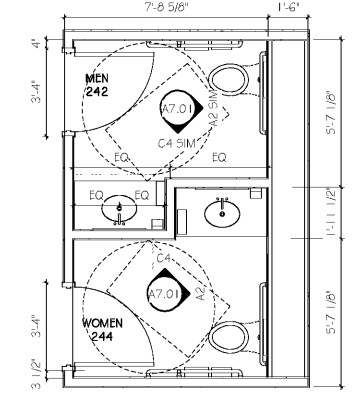
**C6 UNISEX TLT-ADA\_T1**  
SCALE: 3/8" = 1'-0"



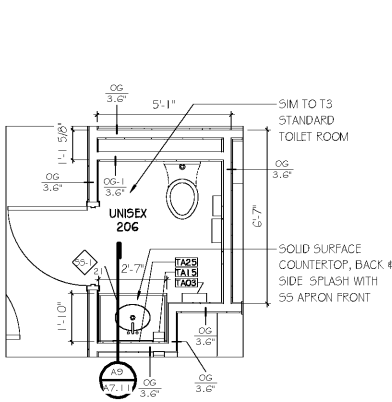
**A8 STORM SHELTER TLTS**  
SCALE: 3/8" = 1'-0"



**A2 WOMEN 244 - E**  
SCALE: 3/8" = 1'-0"



**A4 FACULTY RESTROOMS**  
SCALE: 3/8" = 1'-0"



**A6 UNISEX RR 206**  
SCALE: 3/8" = 1'-0"

SPECIALTY EQUIPMENT SCHEDULE	
FEC	FIRE EXTINGUISHER CABINET
SCC	CUBICLE CURTAIN ON CEILING TRACK - REF FINISH LEGEND
SD	APPLIANCE - COMMERCIAL DRYER - FURNISH & INSTALL BY CONTRACTOR - COORDINATE MECH & ELEC
SHW	HEADWALL SIMULATOR - OWNER'S EXISTING - OFCI
SHW2	HEADWALL SIMULATOR - NEW - COORDINATE WITH MEP
SIM	ICE MACHINE - OFCI - COORDINATE WITH MEP
SLO	METAL LOCKERS - 4 TIER - 15"W X 15"H X 12"D WITH 6" BASE & SLOPED TOP
SM5	MOP SINK - CORNER MODEL - 30" X 30" - REF PLUMBING
SMW	MICROWAVE - OFCI - COORDINATE LOCATION OF ELEC OUTLET
SF1	REFRIGERATOR/FREEZER - SIDE BY SIDE - 36" MAX WIDTH, COORDINATE PLUMBING & ELEC. FURNISH & INSTALL BY CONTRACTOR
SF2	REFRIGERATOR - FREEZER ON TOP - FURNISH & INSTALL BY CONTRACTOR
SF5	MANUALLY OPERATED ROLLER SHADE - REFERENCE RCP'S
SV	VENDING MACHINE - OWNER FURNISHED - COORDINATE ELECTRICAL
SW	APPLIANCE - COMMERCIAL WASHING MACHINE - FURNISH & INSTALL BY CONTRACTOR - COORDINATE MEP

TOILET ACCESSORY SCHEDULE	
ST1	TOILET COMPARTMENT - TYPE 1 - REF SHEET G1.1.2
ST4	TOILET COMPARTMENT - TYPE 4 - REF SHEET G1.1.2
T1	TYPICAL ADA TOILET ROOM - REF SHEET G1.1.2
T2	TYPICAL ADA TOILET ROOM - REF SHEET G1.1.2
T3	STANDARD TOILET ROOM - REF SHEET G1.1.2
TAO2	JUMBO ROLL TOWEL DISPENSER - OPCI
TAO3	SURFACE MOUNTED TAPER TOILET DISPENSER - LG CAPACITY - OPCI
TAO4	SURFACE MOUNTED TAPER TOILET DISPENSER - 5M - OPCI
TA15	WALL MOUNTED SOAP DISPENSER - OPCI
TA17	SOAP DISPENSER BY OWNER
TA20	VERTICAL GRAB BAR
TA21	36" HORIZONTAL GRAB BAR
TA22	42" HORIZONTAL GRAB BAR
TA23	FRAMED MIRROR
TA24	FRAMED MIRROR - 24" X 60"
TA25	FRAMED MIRROR - 18"W X 36"H - NO SHELF
TA26	SURFACE MOUNTED ROBE HOOK
TA29	SANITARY NAPKIN RECEPTACLE
TA38	CURVED HORIZONTAL GRAB BAR - SHOWER STALL - 60" L X 24" W
TA41	HEAVY DUTY SHOWER ROD
TA42	SHOWER CURTAIN
TA55	BABY CHANGING STATION
TA58	UNDERLAVATORY GUARD
TA60	JANITORIAL SHELF

GENERAL NOTES:  
 1. REFERENCE SHEET G1.1.2 FOR TYPICAL TOILET STALL AND TOILET ROOM EQUIPMENT.  
 2. IF DISCREPANCIES IN PLUMBING FIXTURE LOCATIONS OCCUR BETWEEN PLUMBING AND ARCHITECTS DRAWINGS, GC IS TO CLARIFY WITH ARCHITECT PRIOR TO PROCEEDING WITH WORK.  
 3. INTERIOR PARTITION DIMENSIONS ARE TO FACE OF STUD, TYP UNO.

ISSUE	DATE
ISSUE FOR BID	2019.05.25

SIMULATION LABORATORY  
 BUILDING - USA JOB #16-07  
 MOBILE, ALABAMA  
 ABC #2017372  
 GMC # AMOB160019



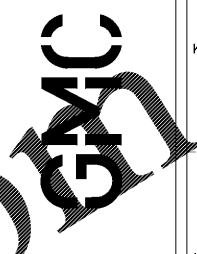
ENLARGED PLANS &  
 INT ELEVATIONS -  
 TOILETS  
**A7.01**  
 sheet of

K  
J  
H  
G  
F  
E  
D  
C  
B  
A

1  
2  
3  
4  
5  
6  
7  
8  
9  
10  
11  
12

Order Plans @

WWW.LDLINE.COM



2701 1st Avenue S  
 Birmingham, AL 35233  
 T 205.879.4462  
 GMCNETWORK.COM