

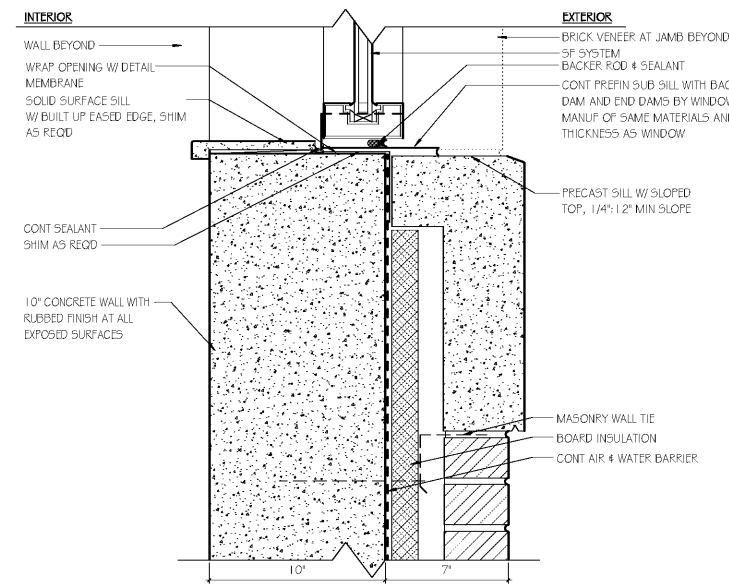
K
J
H
G
F
E
D
C
B
A

1 2 3 4 5 6 7 8 9 10 11 12

Order Plans @ WWW.LDIDLINE.COM

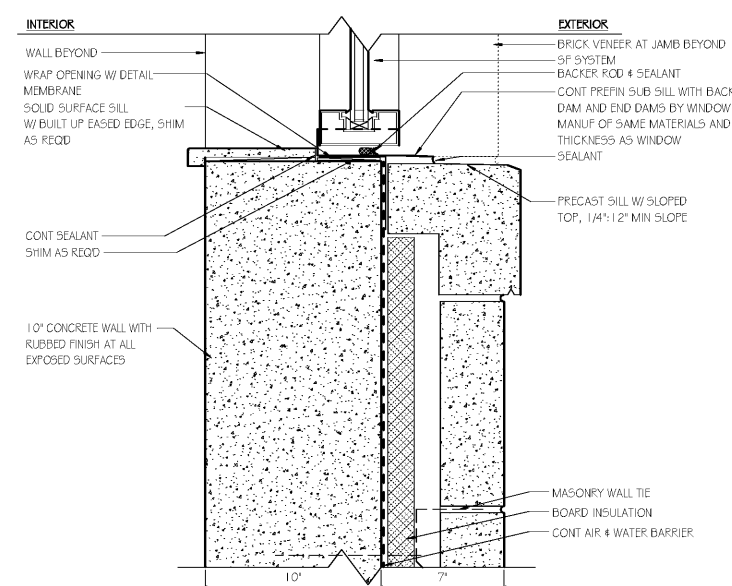
A5 EGRESS STAIR - WIN SILL/BAND

SCALE: 3/8" = 1'-0"



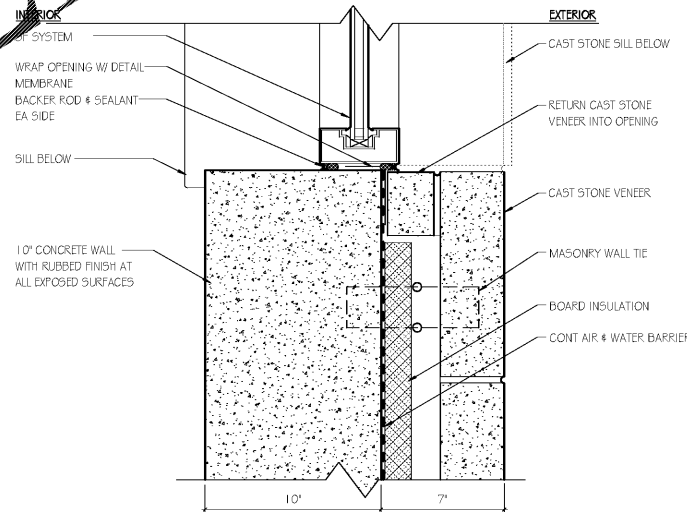
A9 EGRESS STAIR - WIN SILL

SCALE: 3/8" = 1'-0"



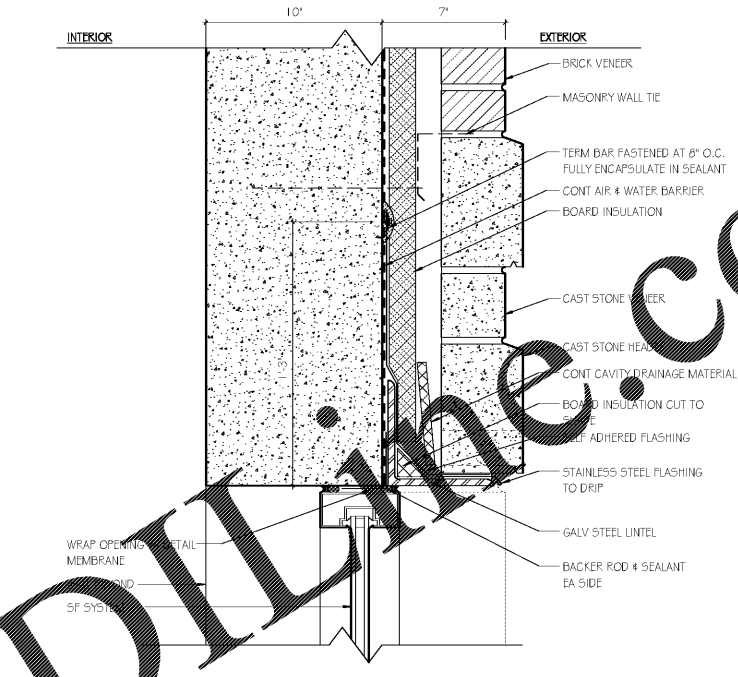
D9 EGRESS STAIR - WIN JAMB

SCALE: 3/8" = 1'-0"



G9 EGRESS STAIR - WIN HEAD

SCALE: 3/8" = 1'-0"



WINDOW AND LOUVER DETAILS

A6.11

sheet of



SIMULATION LABORATORY
BUILDING - USA JOB #16-07
MOBILE, ALABAMA
ABC #2017372
GMC # AMOB160019

ISSUE	DATE
ISSUE FOR BID	2018.05.25

DRAWN BY: JMS/JW
CHECKED BY: JMS/JW

2701 1st Avenue S
 Birmingham, AL 35233
 T 205.879.4462
 GMCNETWORK.COM

