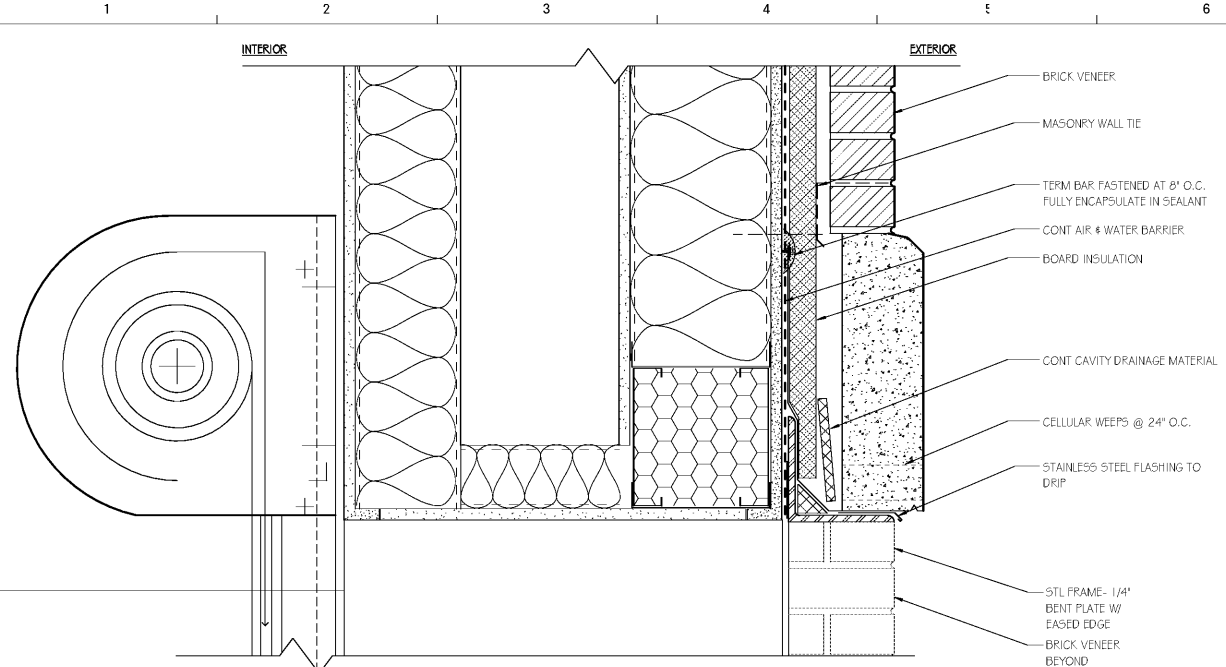
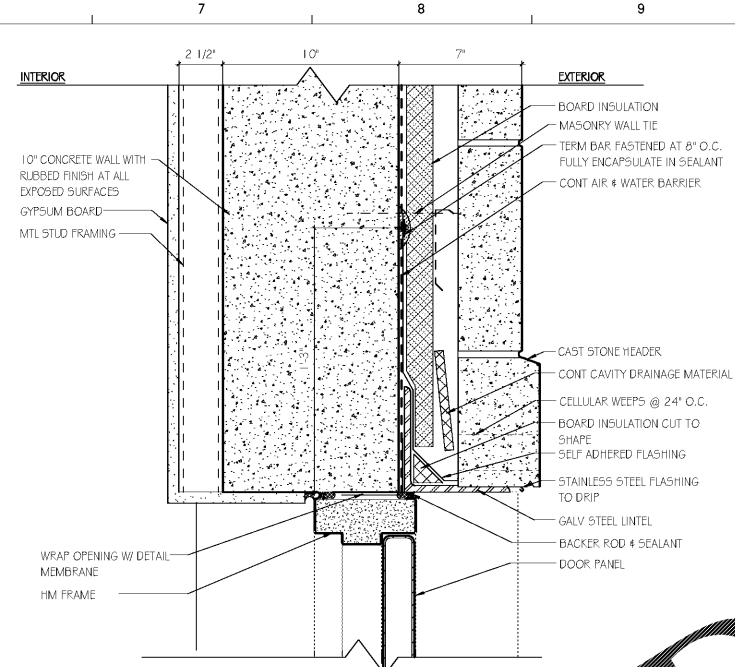


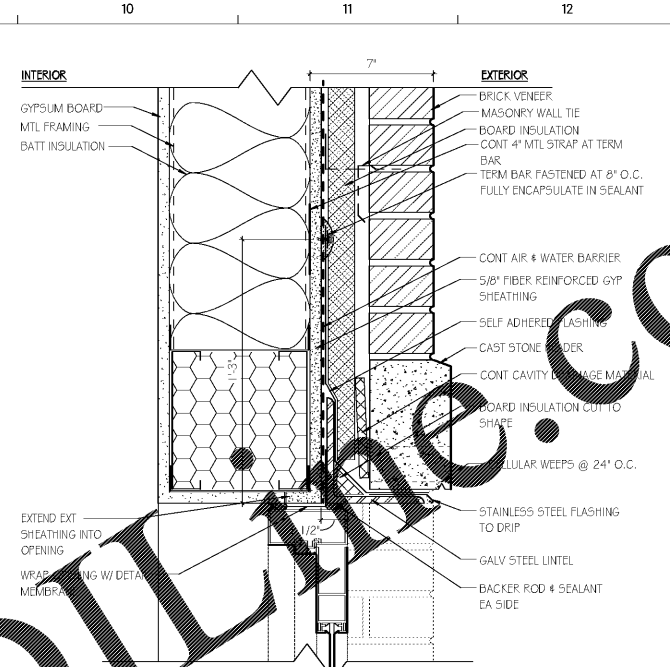
5/25/2019 4:14:02 PM



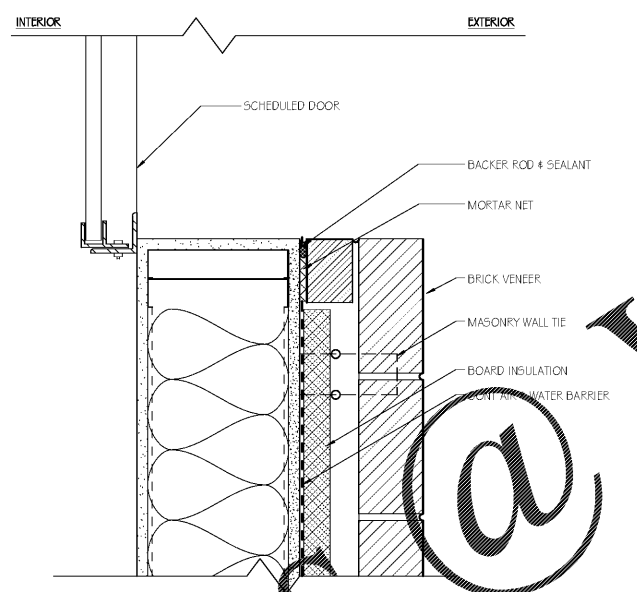
G1 EXT O/H COILING DR & CANOPY
SCALE: 3" = 1'-0"



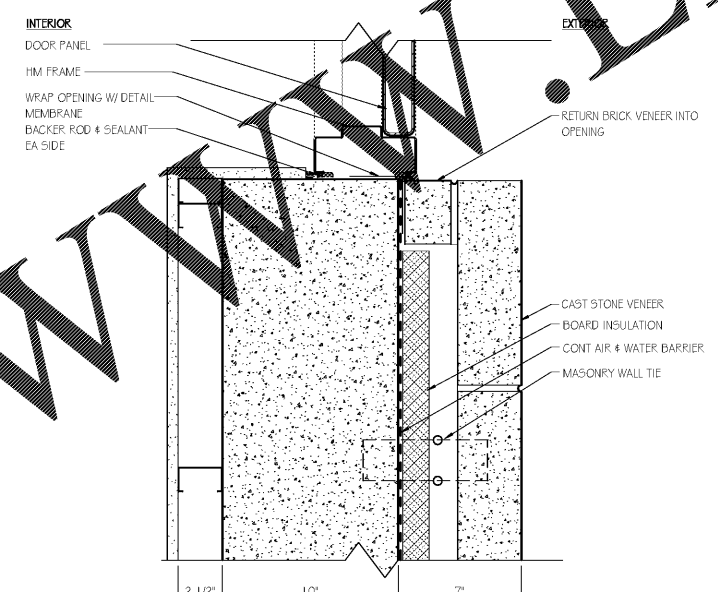
G6 CAST STONE DR HEAD
SCALE: 3" = 1'-0"



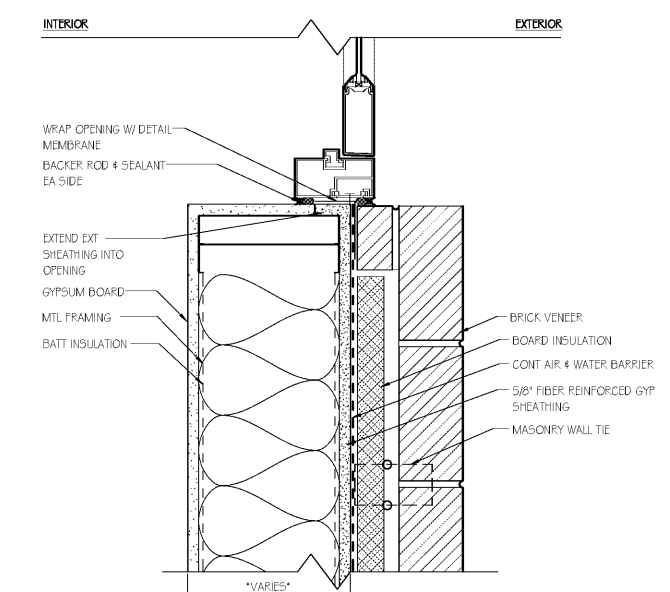
G10 EXT ALUM DR HEAD - GYP
SCALE: 3" = 1'-0"



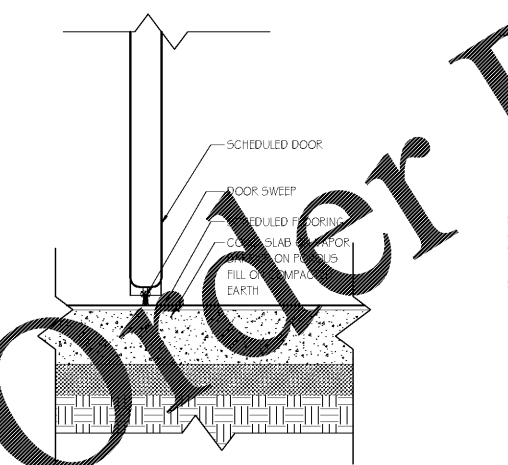
D3 EXT O/H COILING DR JAMB
SCALE: 3" = 1'-0"



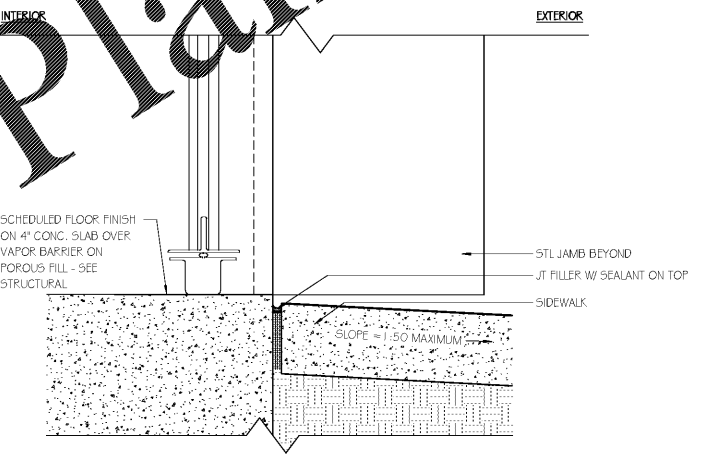
D6 CAST STONE DR JAMB
SCALE: 3" = 1'-0"



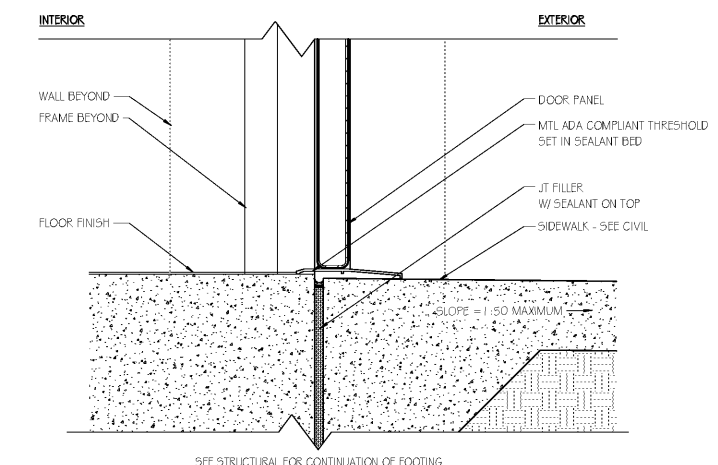
D10 EXT ALUM DR JAMB - GYP
SCALE: 3" = 1'-0"



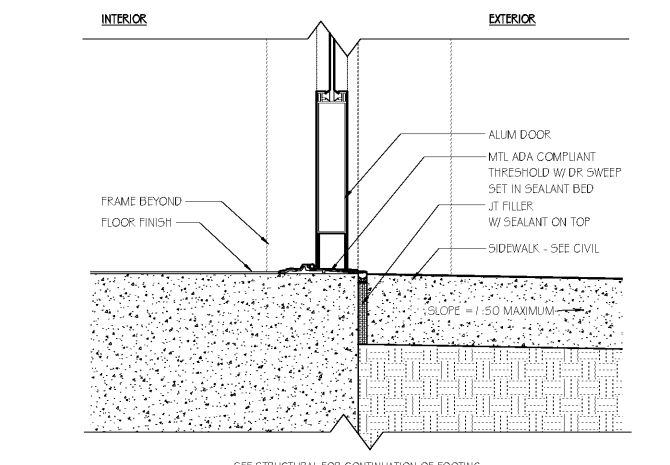
A1 DOOR TRANSITION
SCALE: 3" = 1'-0"



A3 EXT O/H COILING DR THRESHOLD
SCALE: 3" = 1'-0"

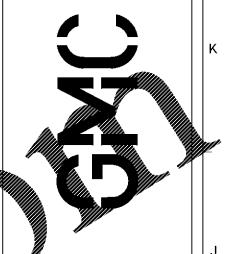


A6 TYP EXT HM DR THRESHOLD
SCALE: 3" = 1'-0"



A10 TYP ALUM DR THRESHOLD
SCALE: 3" = 1'-0"

WWW.LDILLINE.COM



2701 1st Avenue S
Birmingham, AL 35233
T 205.879.4462
GMCNETWORK.COM

ISSUE	DATE
ISSUE FOR BID	2019.05.25

SIMULATION LABORATORY
BUILDING - USA JOB #16-07
MOBILE, ALABAMA
ABC #2017372
GMC # AMOB160019



DOOR DETAILS
A6.03
Sheet of