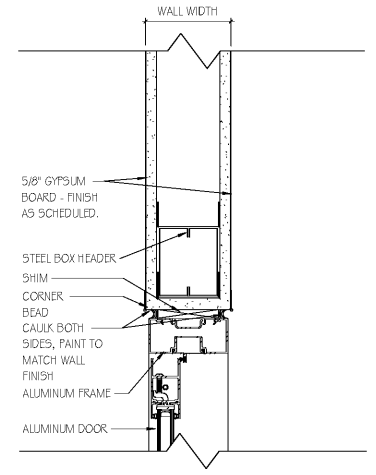
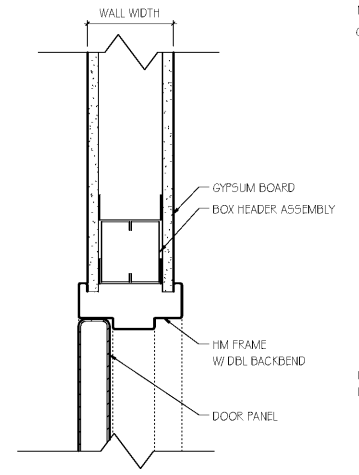


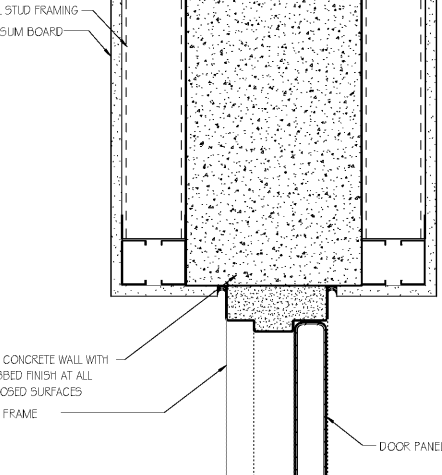
5/25/2019 4:13:59 PM



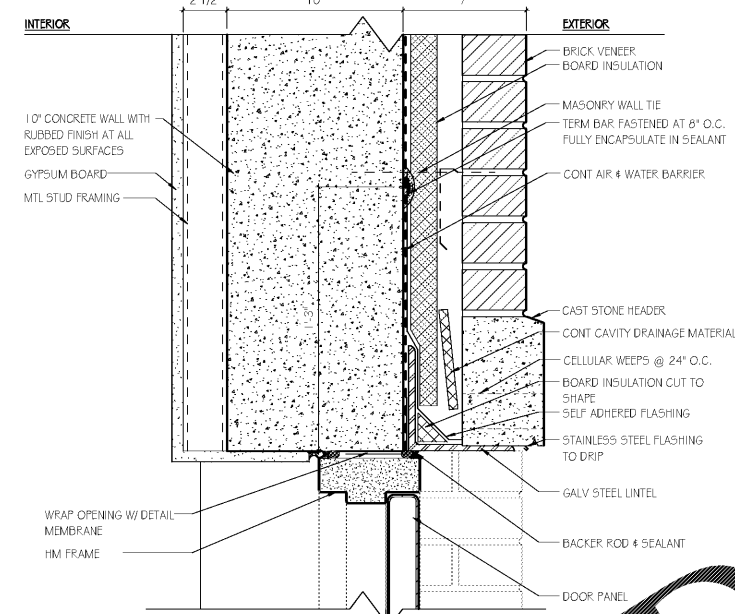
**G1 ALUM INT DR HEAD**  
SCALE: 3" = 1'-0"



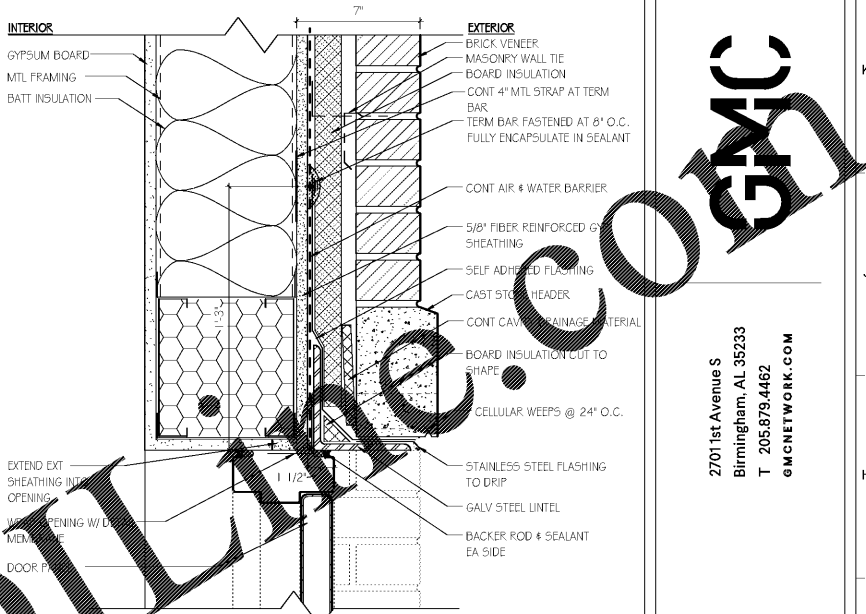
**G3 INT GYP DOOR HEAD**  
SCALE: 3" = 1'-0"



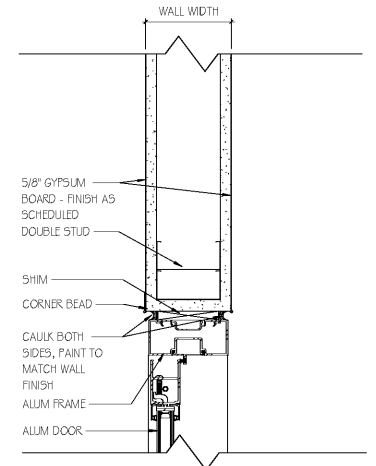
**G5 C.I.P DR HEAD**  
SCALE: 3" = 1'-0"



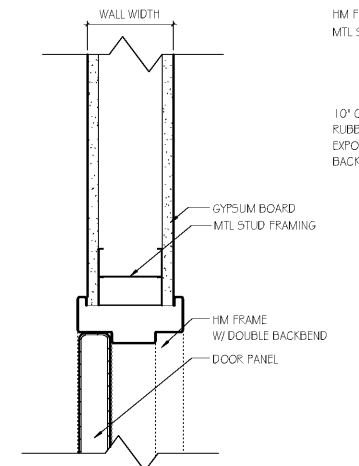
**G7 EXT HM DR HEAD - SS**  
SCALE: 3" = 1'-0"



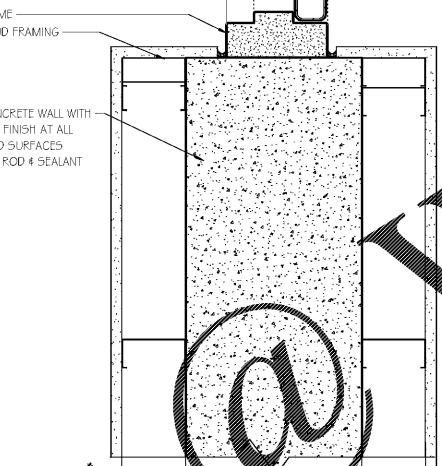
**G10 EXT HM DR HEAD - GYP**  
SCALE: 3" = 1'-0"



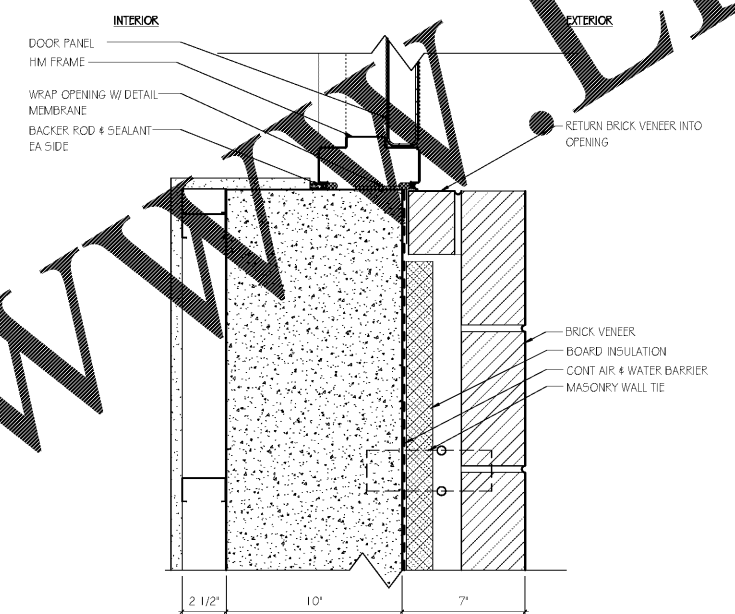
**D1 ALUM INT DR JAMB**  
SCALE: 3" = 1'-0"



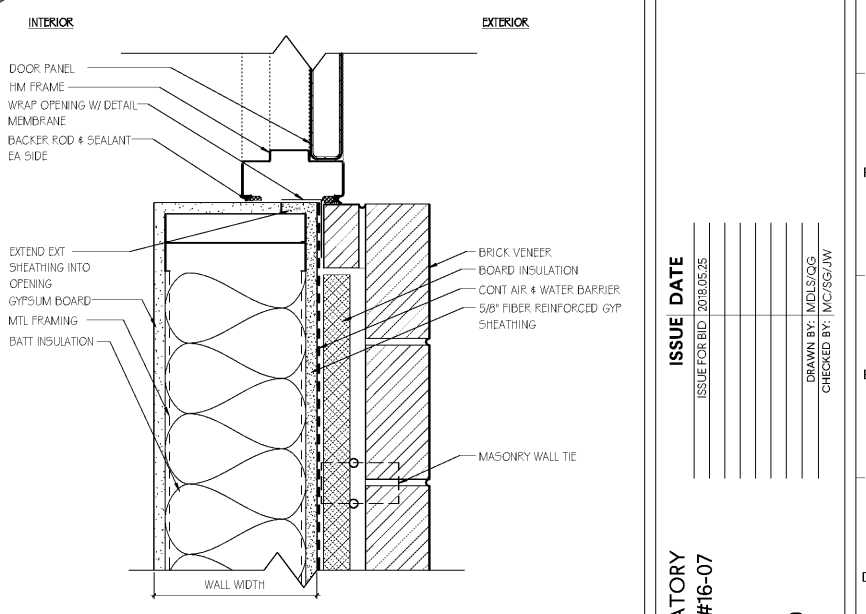
**D3 INT GYP DOOR JAMB**  
SCALE: 3" = 1'-0"



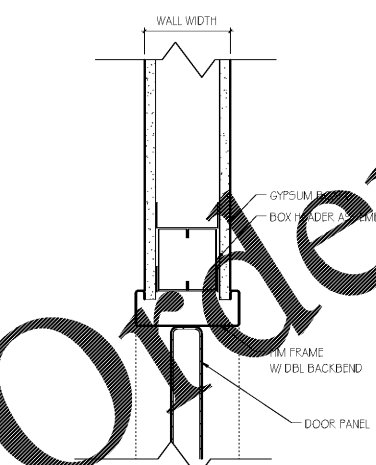
**D5 C.I.P DR JAMB**  
SCALE: 3" = 1'-0"



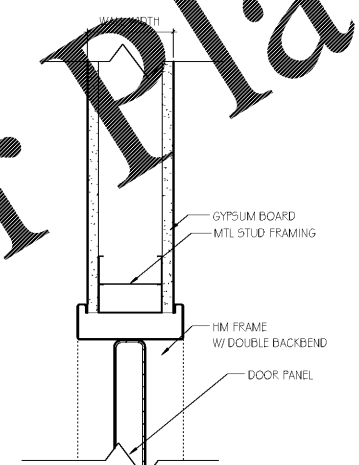
**D7 EXT HM DR JAMB - SS**  
SCALE: 3" = 1'-0"



**D10 HM DR JAMB - GYP**  
SCALE: 3" = 1'-0"



**A1 INT GYP DBL-ACT DR HEAD**  
SCALE: 3" = 1'-0"



**A3 INT GYP DBL-ACT DR JAMB**  
SCALE: 3" = 1'-0"

**WWW.LDLINE.COM**

ISSUE DATE	ISSUE FOR
2019.05.25	BID

**LABORATORY**  
SIMULATION - USA JOB #16-07  
MOBILE, ALABAMA  
ABC #2017372  
GMC # AMOB160019



2701 1st Avenue S  
Birmingham, AL 35233  
T 205.879.4462  
GMCNETWORK.COM