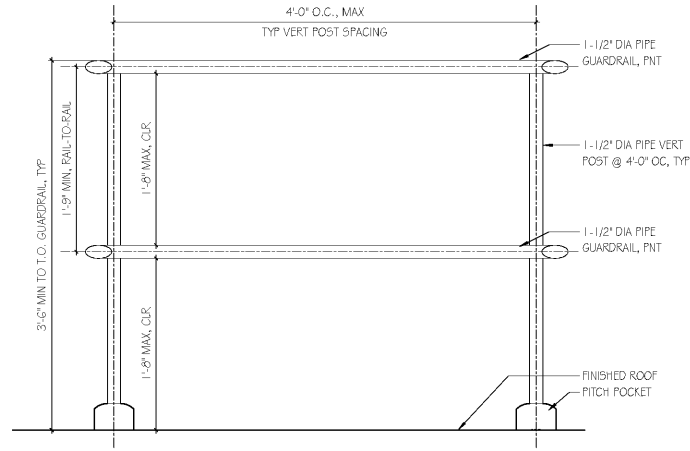


RAILING SCHEDULE						
LOCATION	TYPE	MOUNT	PARTS	MATL	FINISH	COMMENTS
ST-1	R1	SMW	GR	STL/ALUM/GL	PF	PREMANUFACTURED GLASS GUARDRAIL SYSTEM WITH STRINGER MOUNTED SHOE BASE. STEEL HANDRAIL ON BRACKETS COMPRESSION MOUNTED IN GUARDRAIL GLASS INFILL BOTTOM EXTENSION OF RAIL RETURN TO BE FLOOR MOUNTED.
	R2	COMFM	HR	SS/T	PF	
ST-2	R3	SMW	GR w/ HR	STL	PNT	STEEL RAILING TO RECEIVE FULL FILLET WELDS. GROUND SMOOTH.
	R4	WM	HR	STL	PNT	STEEL RAILING TO RECEIVE FULL FILLET WELDS. GROUND SMOOTH.
	R5	FMC	GR w/ HR	STL	GLV/PNT	STEEL RAILING TO RECEIVE FULL FILLET WELDS. GROUND SMOOTH. RETURN HANDRAIL TO POST, TYP. GALVANIZED AND PAINTED FINISH.
EXTERIOR SITE	R6	FMC	GR	STL	GLV/PNT	STEEL RAILING TO RECEIVE FULL FILLET WELDS. GROUND SMOOTH. GALVANIZED AND PAINTED FINISH.
ROOF	R7	DMB	GR	STL	GLV/PNT	STEEL RAILING TO RECEIVE FULL FILLET WELDS. GROUND SMOOTH. GALVANIZED AND PAINTED FINISH.

RAILING GENERAL NOTES

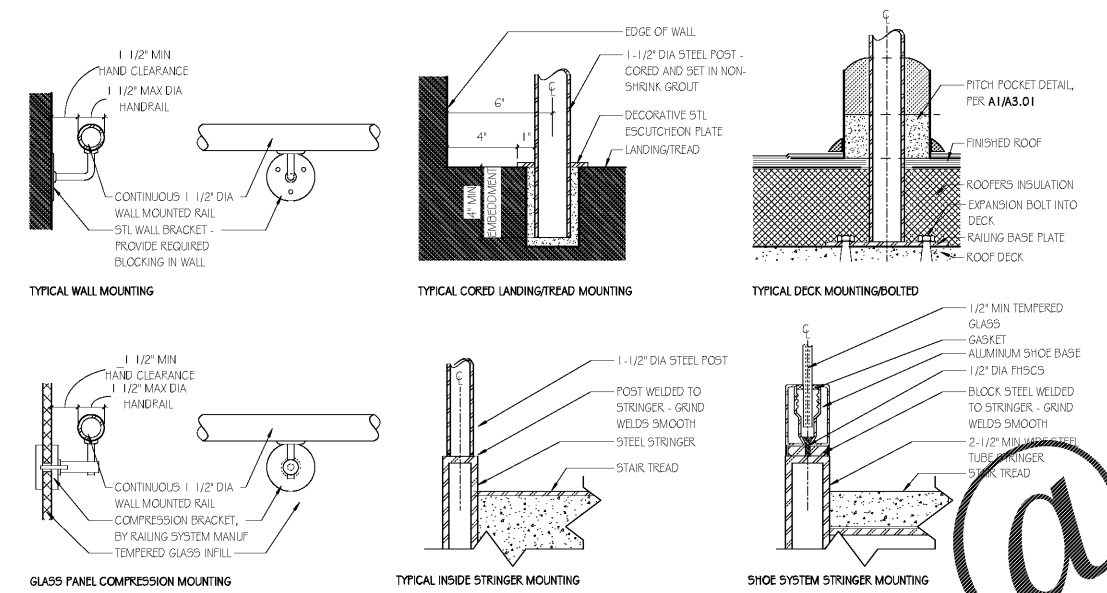
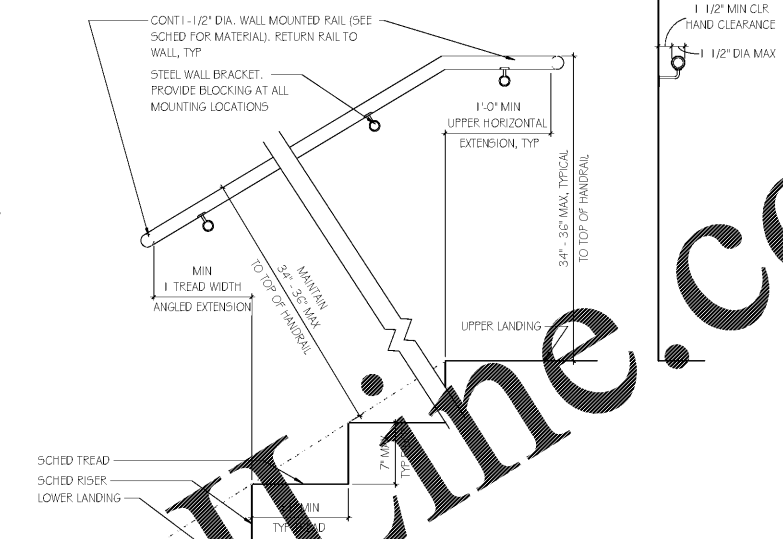
R.01. CODE COMPLIANCE: SEE GENERAL NOTES DIVISION 1 GENERAL REQUIREMENTS ITEM 1.09 FOR CODE COMPLIANCE.
R.02. MULTI-TRADE COORDINATION: SEE GENERAL NOTES DIVISION 1 GENERAL REQUIREMENTS ITEM 1.02 FOR MULTI-TRADE COORDINATION.
R.03. HANDRAIL DIMENSIONS: DIMENSIONS FOR HAND RAILINGS AS INDICATED IN CONTRACT DOCUMENTS. WIDTH BETWEEN HANDRAILS AT STAIRS AS INDICATED IN CONTRACT DOCUMENTS BUT SHALL NOT BE LESS THAN 44 INCHES CLEAR. WIDTH BETWEEN HANDRAILS AT RAMP AS INDICATED IN CONTRACT DOCUMENTS BUT SHALL NOT BE LESS THAN 36 INCHES. HEIGHT OF HANDRAILS ABOVE STAIR TREAD NOSING OR FINISH SURFACES OF RAMP AS INDICATED IN CONTRACT DOCUMENTS BUT SHALL BE UNIFORM AND NOT LESS THAN 24 INCHES AND NOT MORE THAN 38 INCHES. DIAMETER OF HANDRAILS AS INDICATED IN CONTRACT DOCUMENTS BUT SHALL NOT HAVE AN OUTSIDE DIAMETER OF LESS THAN 1-1/4 INCHES AND NOT GREATER THAN 2 INCHES. NON CIRCULAR HANDRAILS AS INDICATED IN CONTRACT DOCUMENTS BUT SHALL HAVE A PERIMETER DIMENSION OF AT LEAST 4 INCHES AND NOT GREATER THAN 6-1/4 INCHES WITH A MAXIMUM CROSS-SECTION DIMENSION OF 2-1/4 INCHES. EDGES SHALL HAVE A MINIMUM RADIUS OF 0.01 INCHES. HANDRAIL EXTENSIONS AS INDICATED IN CONTRACT DOCUMENTS, BUT WHERE HANDRAILS ARE NOT CONTINUOUS BETWEEN FLIGHTS, THE HANDRAILS SHALL EXTEND HORIZONTALLY AT LEAST 12 INCHES BEYOND THE TOP RISER AND CONTINUE TO SLOPE FOR THE DEPTH OF ONE TREAD BEYOND THE BOTTOM RISER. AT RAMP WHERE HANDRAILS ARE NOT CONTINUOUS BETWEEN RUNS, THE HANDRAILS SHALL EXTEND HORIZONTALLY ABOVE THE LANDING 12 INCHES MINIMUM BEYOND THE TOP AND BOTTOM OF RAMP RUNS. THE EXTENSIONS OF HANDRAILS SHALL BE IN THE SAME DIRECTION OF THE STAIR FLIGHT AS STAIRWAYS AND RAMP RUNS AT RAMP. CLEAR SPACE BETWEEN HANDRAIL AND WALL OR OTHER SURFACE AS INDICATED IN CONTRACT DOCUMENTS BUT SHALL BE A MINIMUM OF 1-1/2 INCHES.
R.04. GUARDRAIL DIMENSIONS: DIMENSIONS FOR GUARDRAILS AS INDICATED IN CONTRACT DOCUMENTS. HEIGHT OF GUARDRAILS ABOVE ADJACENT WALKING SURFACES, ADJACENT FIXED SEATING, OR THE LINE CONNECTING THE LEADING EDGE OF TREADS AS INDICATED IN CONTRACT DOCUMENTS BUT SHALL NOT BE LESS THAN 42 INCHES. OPENINGS IN GUARDRAILS AS INDICATED IN CONTRACT DOCUMENTS BUT SHALL NOT ALLOW THE PASSAGE OF A SPHERE 4 INCHES IN DIAMETER FROM THE WALKING SURFACE TO THE REQUIRED GUARD HEIGHT (FOR ROOF ACCESS SHALL PREVENT THE PASSAGE OF A SPHERE 21 INCHES IN DIAMETER). FROM A HEIGHT OF 36 INCHES TO 42 INCHES GUARDS SHALL NOT HAVE OPENINGS WHICH ALLOW PASSAGE OF A SPHERE 4-3/8 INCHES IN DIAMETER. THE TRIANGULAR OPENINGS AT THE OPEN SIDES OF A STAIR FORMED BY THE RISER, TREAD, AND BOTTOM RAIL SHALL NOT ALLOW PASSAGE OF A SPHERE 6 INCHES IN DIAMETER.

- RAILING ABBREVIATIONS**
- WM - WALL MOUNTED
 - COM - COMPRESSION MOUNTED
 - SMW - STRINGER MOUNTED/WELDED
 - FMC - FLOOR (TREAD/LANDING) MOUNTED/CORED
 - DMB - DECK MOUNTED/BOLTED
 - SS/T - STAINLESS STEEL
 - ALUM - ALUMINUM
 - STL - STEEL
 - GL - TEMPERED GLASS RAILING INFILL
 - HR - HANDRAIL
 - GR - GUARDRAIL
 - PF - PREFINISHED
 - PNT - PAINTED FINISH
 - GLV - GALVANIZED
 - SL - SEALED FINISH

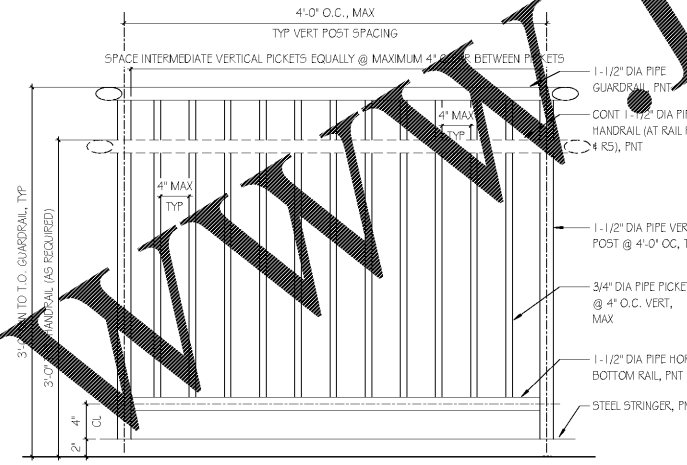


H6 TYPICAL GUARDRAIL - TYPE R7
SCALE: 1/2" = 1'-0"

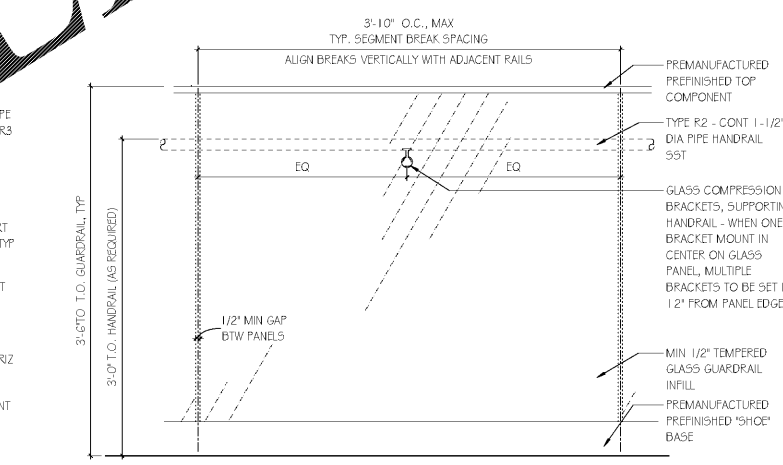
H9 RAILING - TYPE R4
SCALE: 1/2" = 1'-0"



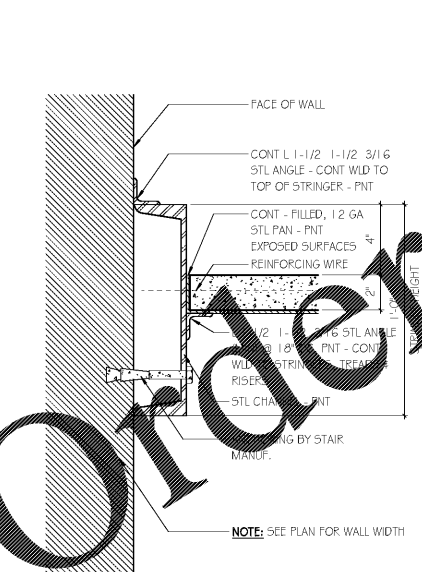
D1 RAILING DETAILS
SCALE: 3" = 1'-0"



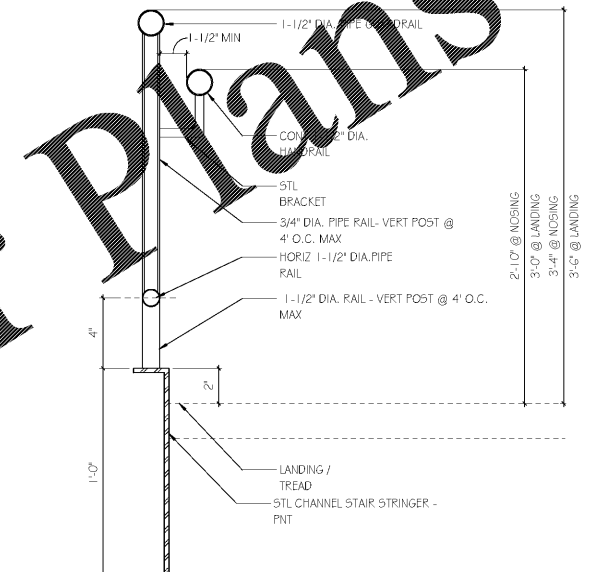
D6 TYPICAL GUARDRAIL - TYPE R3, R5 & R6
SCALE: 1/2" = 1'-0"



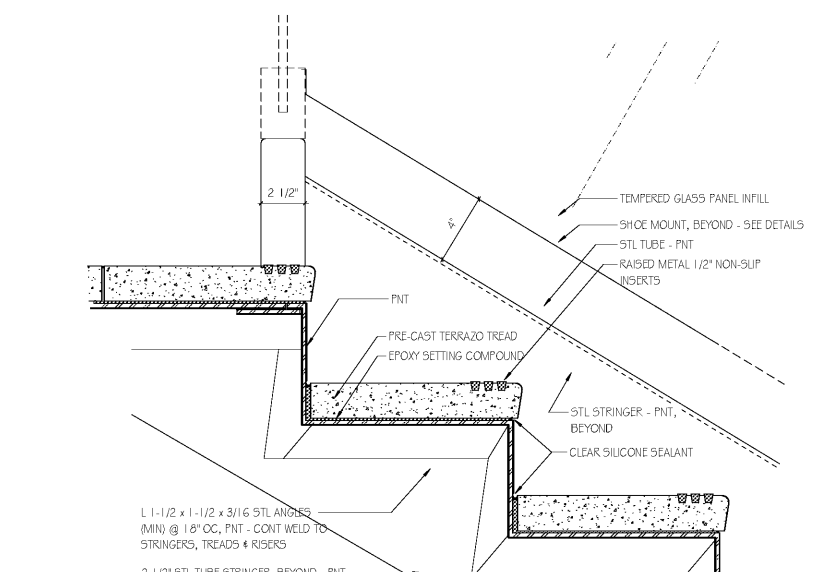
D9 TYPE R1 GUARDRAIL W/ R2 HANDRAIL
SCALE: 1/2" = 1'-0"



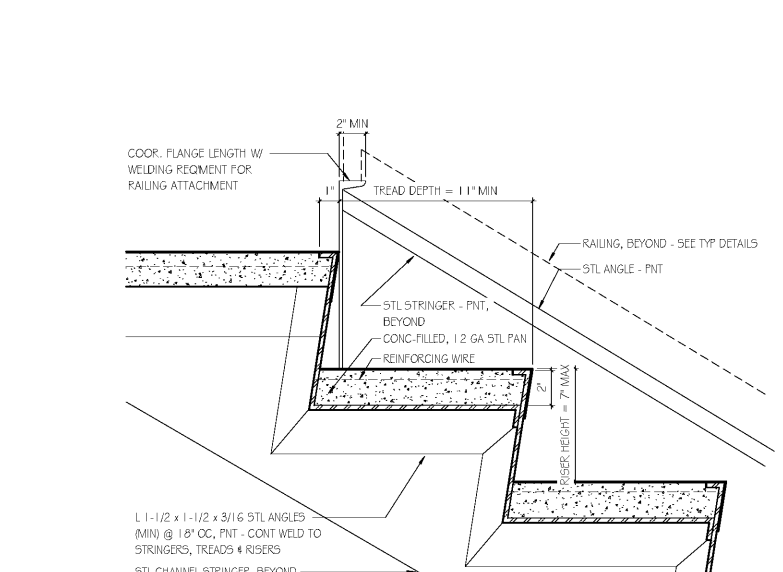
A1 LANDING TO WALL
SCALE: 3" = 1'-0"



A3 RAIL MOUNT - TOP OF STRINGER
SCALE: 3" = 1'-0"



A6 ST-1 - LANDING TO RUN
SCALE: 3" = 1'-0"



A10 ST-2 - LANDING TO RUN
SCALE: 3" = 1'-0"

GMC
2701st Avenue S
Birmingham, AL 35233
T 205.879.4462
GMCNETWORK.COM

ISSUE	DATE
ISSUE FOR BID	2019.05.25

DRAWN BY: MJD/CSG
CHECKED BY: JMC/SJW

SIMULATION LABORATORY
BUILDING - USA JOB #16-07
MOBILE, ALABAMA
ABC #2017372
GMC # AMOB160019



VERTICAL CIRCULATION
A5.35
Sheet of

5/25/2019 4:13:54 PM