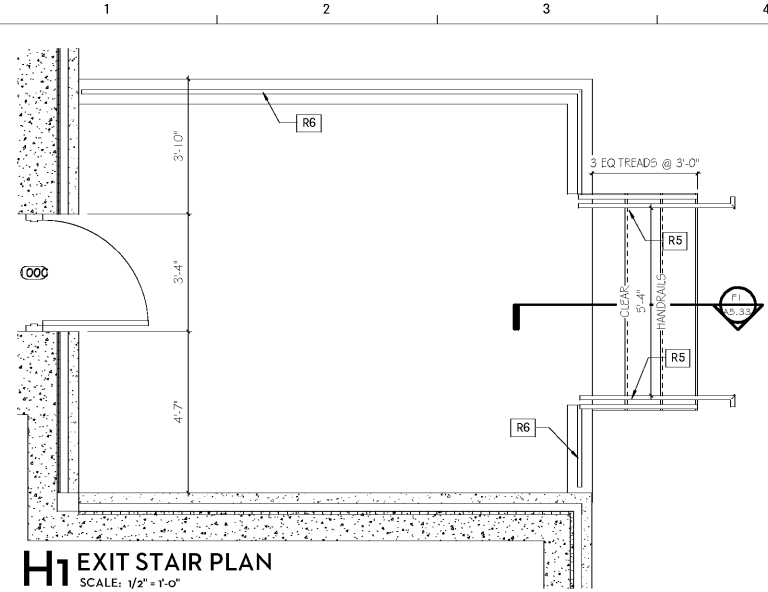
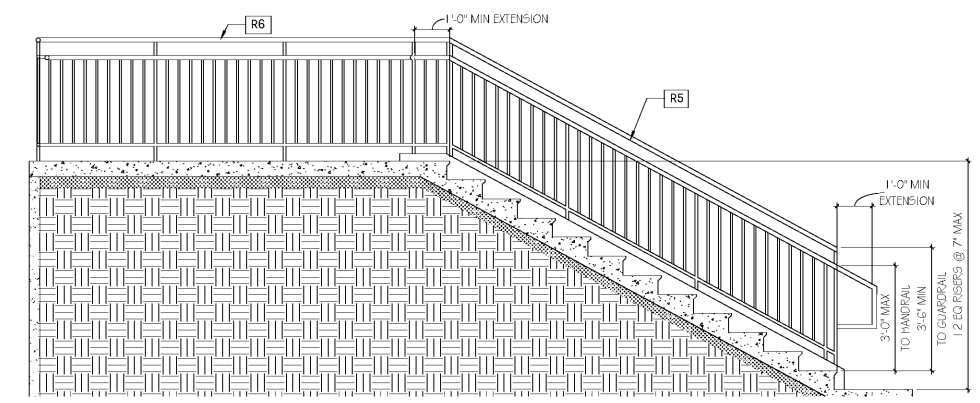


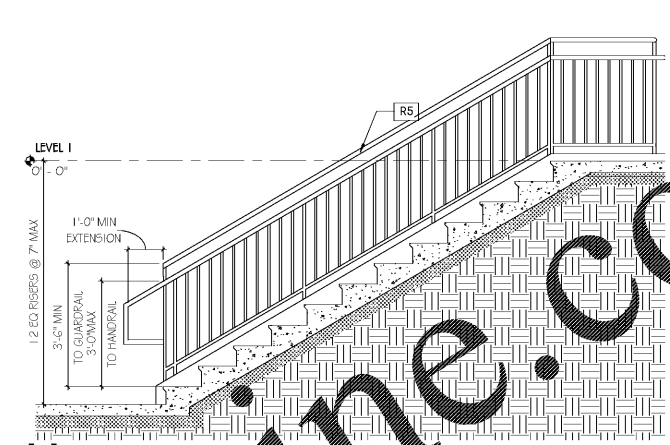
5/25/2018 4:13:47 PM



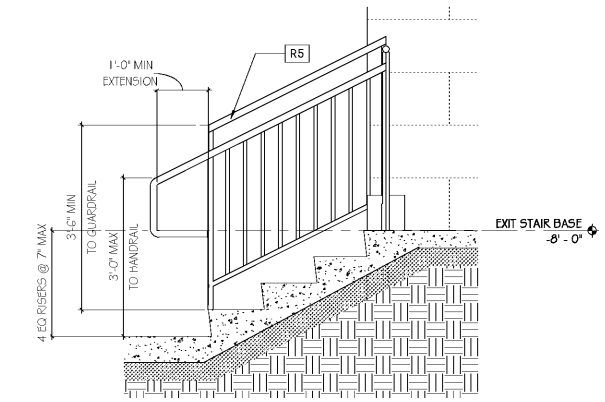
**H1 EXIT STAIR PLAN**  
SCALE: 1/2" = 1'-0"



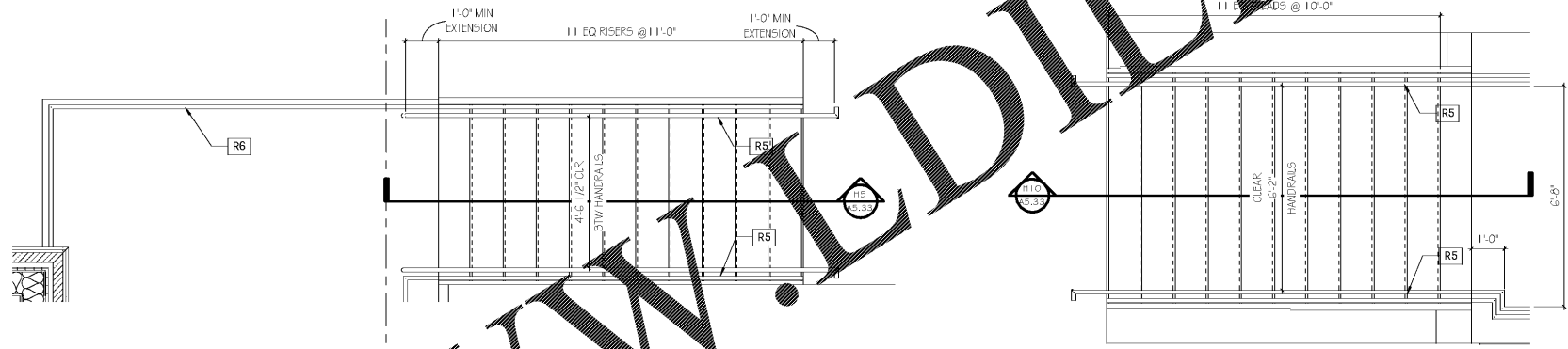
**H5 LOADING DOCK STAIRS SECTION**  
SCALE: 1/2" = 1'-0"



**H10 SIDE STAIR SECTION**  
SCALE: 1/2" = 1'-0"

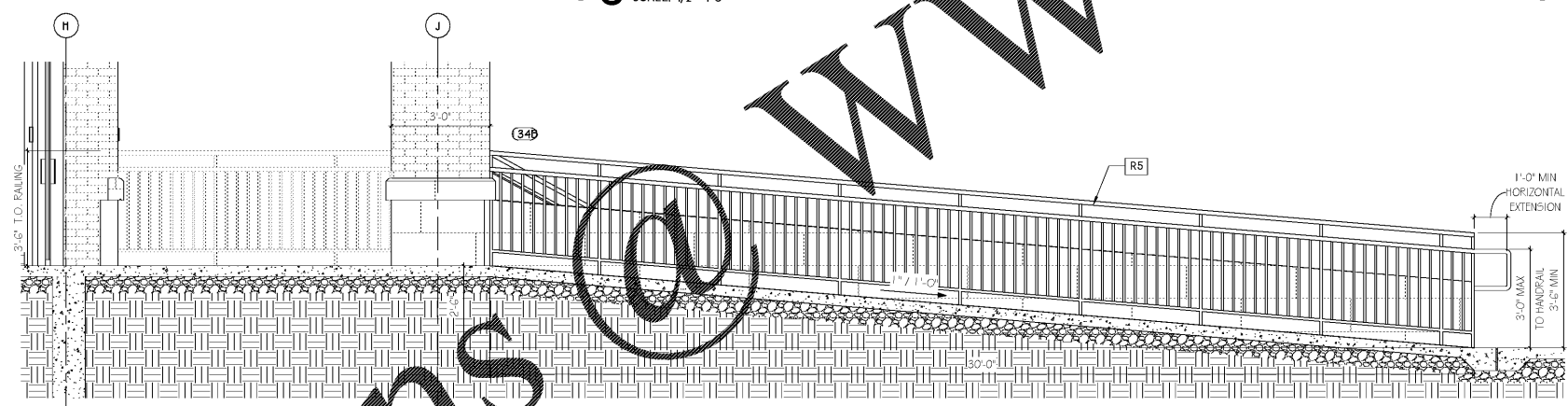


**F1 EXIT STAIR BASE STAIR**  
SCALE: 3/4" = 1'-0"

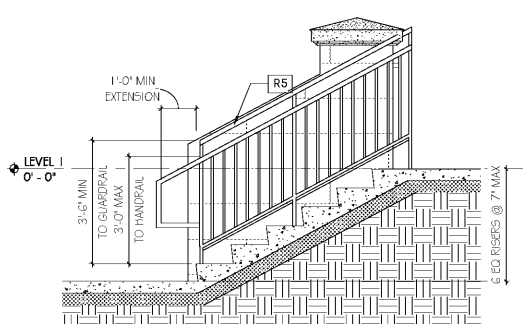


**F5 LOADING DOCK STAIRS**  
SCALE: 1/2" = 1'-0"

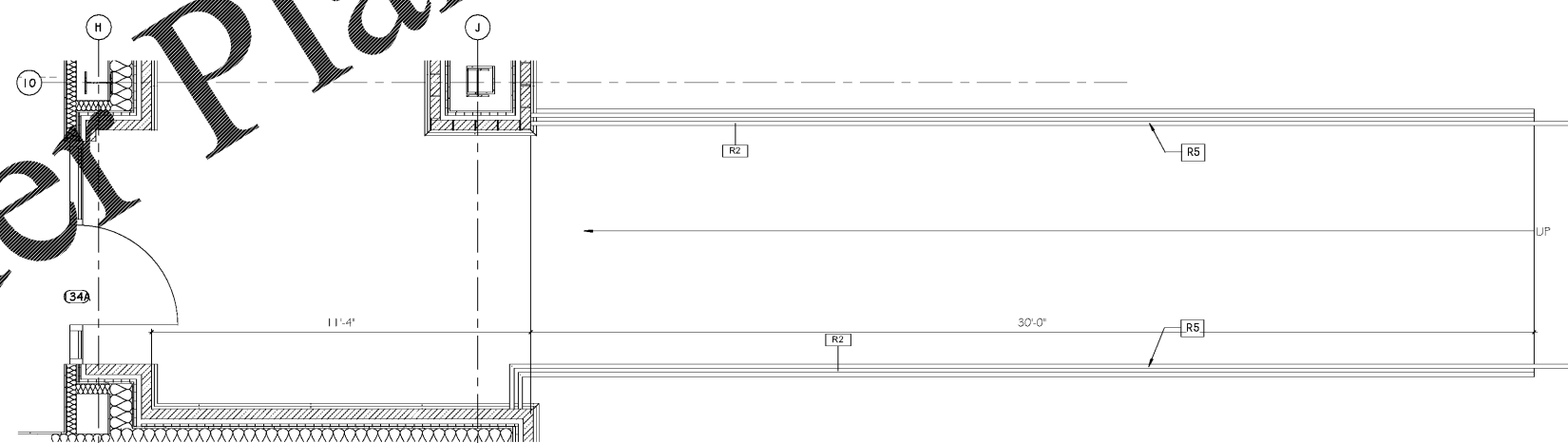
**F10 SIDE STAIR**  
SCALE: 1/2" = 1'-0"



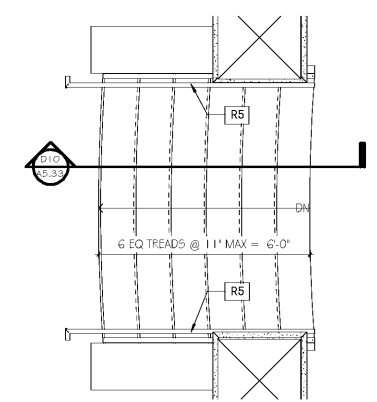
**D2 LOADING DOCK RAMP SECTION**  
SCALE: 1/2" = 1'-0"



**D10 MAIN ENTRY STAIR SECTION**  
SCALE: 1/2" = 1'-0"

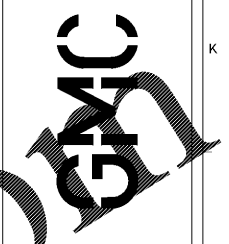


**A2 LOADING RAMP**  
SCALE: 1/2" = 1'-0"



**A10 MAIN ENTRY STAIR**  
SCALE: 1/2" = 1'-0"

Order Plans @ WWW.LDLINE.COM



2701 1st Avenue S  
Birmingham, AL 35233  
T 205.879.4462  
GMCNETWORK.COM

ISSUE DATE	ISSUE FOR BID
	2018.05.25

SIMULATION LABORATORY  
BUILDING - USA JOB #16-07  
MOBILE, ALABAMA  
ABC #2017372  
GMC # AMOB160019



VERTICAL CIRCULATION  
**A5.33**  
Sheet of