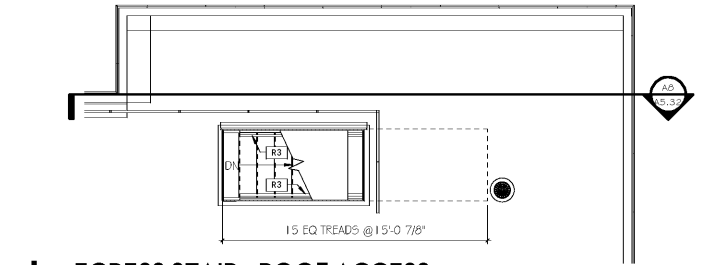
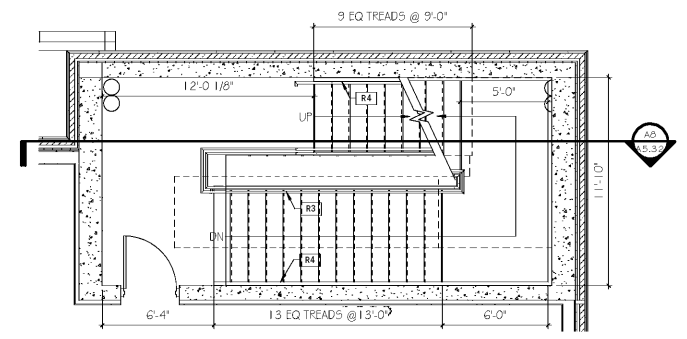


5/25/2019 4:13:40 PM

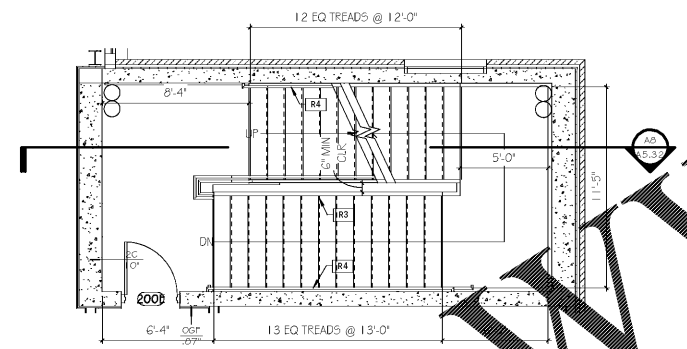
K  
J  
H  
G  
F  
E  
D  
C  
B  
A



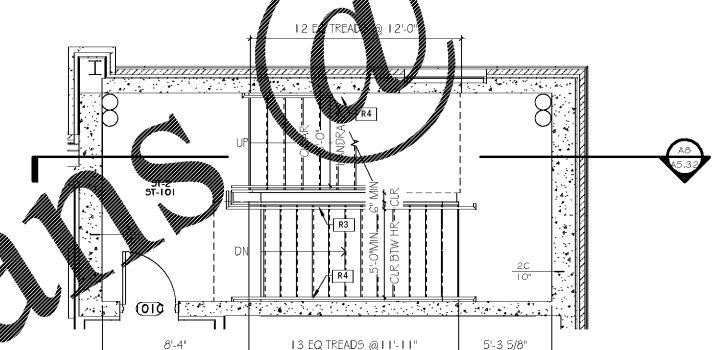
**J4** EGRESS STAIR - ROOF ACCESS  
SCALE: 1/4" = 1'-0"



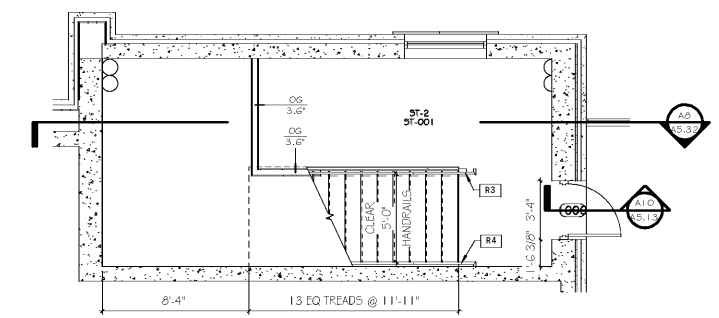
**G4** EGRESS STAIR - THIRD FLOOR  
SCALE: 1/4" = 1'-0"



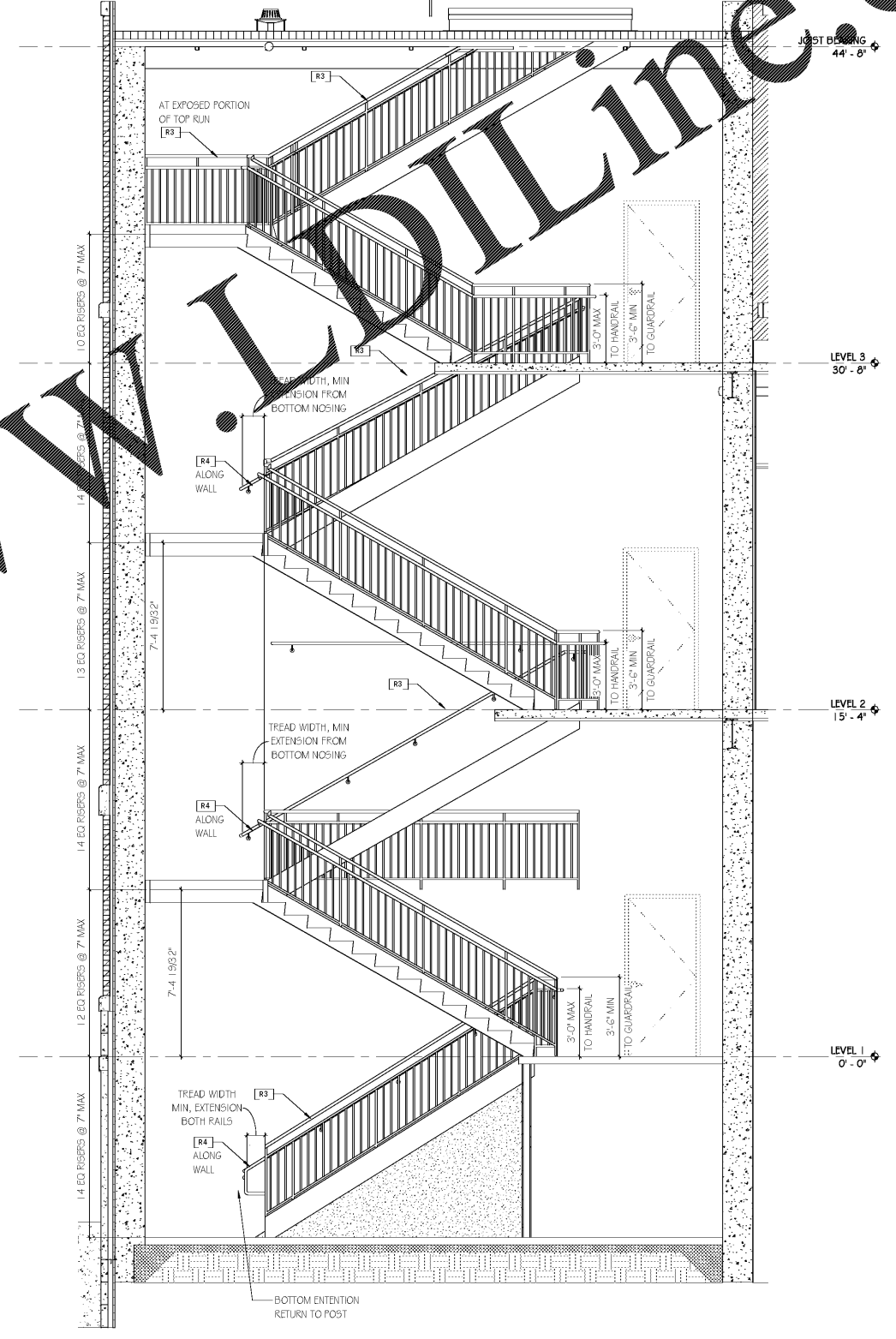
**E4** EGRESS STAIR - SECOND FLOOR  
SCALE: 1/4" = 1'-0"



**C4** EGRESS STAIR - FIRST FLOOR  
SCALE: 1/4" = 1'-0"



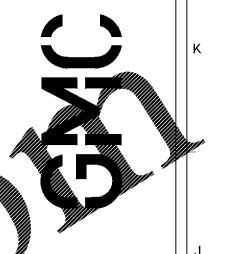
**A4** EGRESS STAIR - GROUND FLOOR  
SCALE: 1/4" = 1'-0"



**A8** EGRESS STAIR WALL SECTION  
SCALE: 3/8" = 1'-0"

Order Plans @

WWW.LDLINE.COM



2701 1st Avenue S  
Birmingham, AL 35233  
T 205.879.4462  
GMCNETWORK.COM

ISSUE DATE	ISSUE FOR BID
2019.05.25	

SIMULATION LABORATORY  
BUILDING - USA JOB #16-07  
MOBILE, ALABAMA  
ABC #2017372  
GMC # AMOB160019



VERTICAL CIRCULATION

A5.32  
Sheet of

K  
J  
H  
G  
F  
E  
D  
C  
B  
A