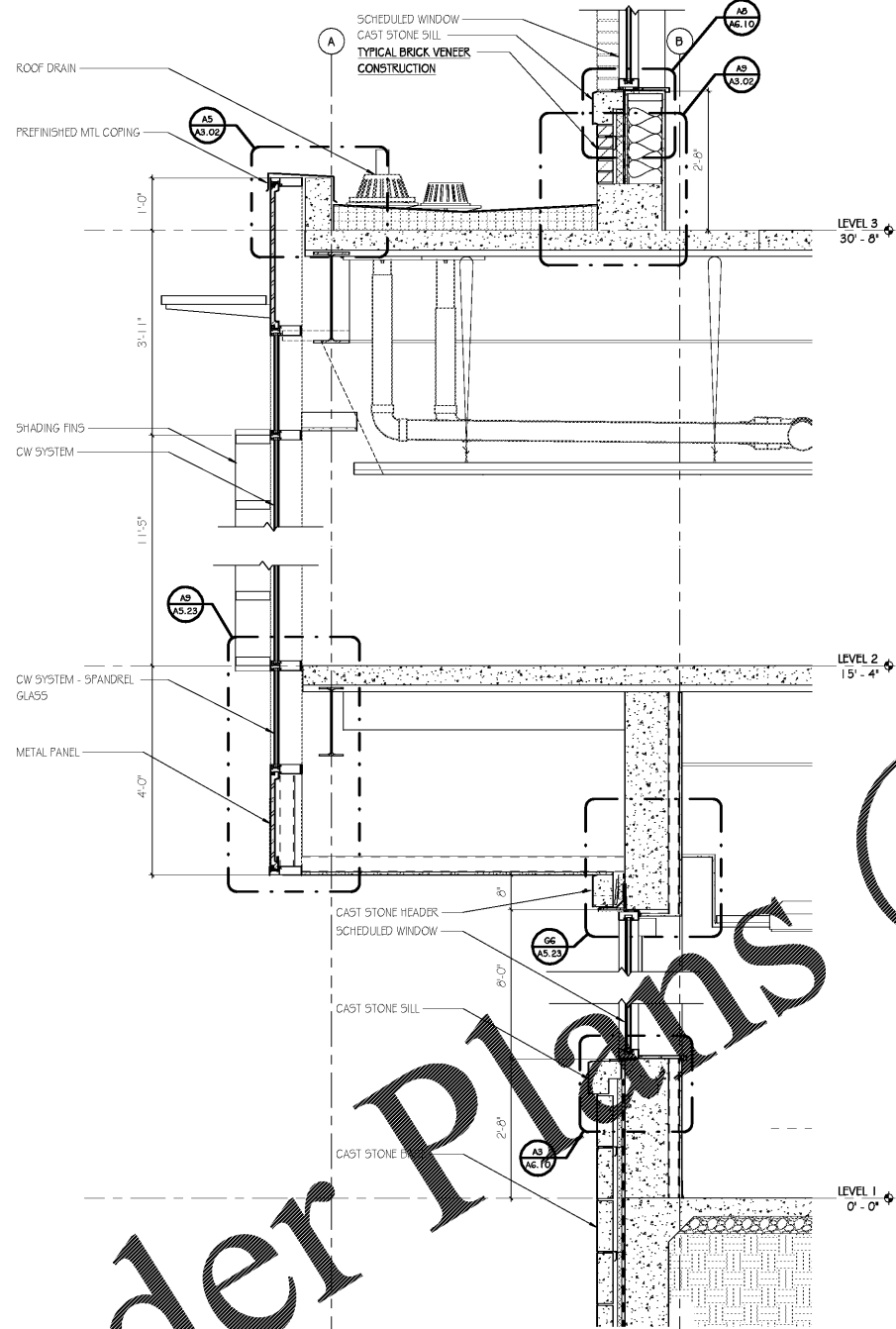
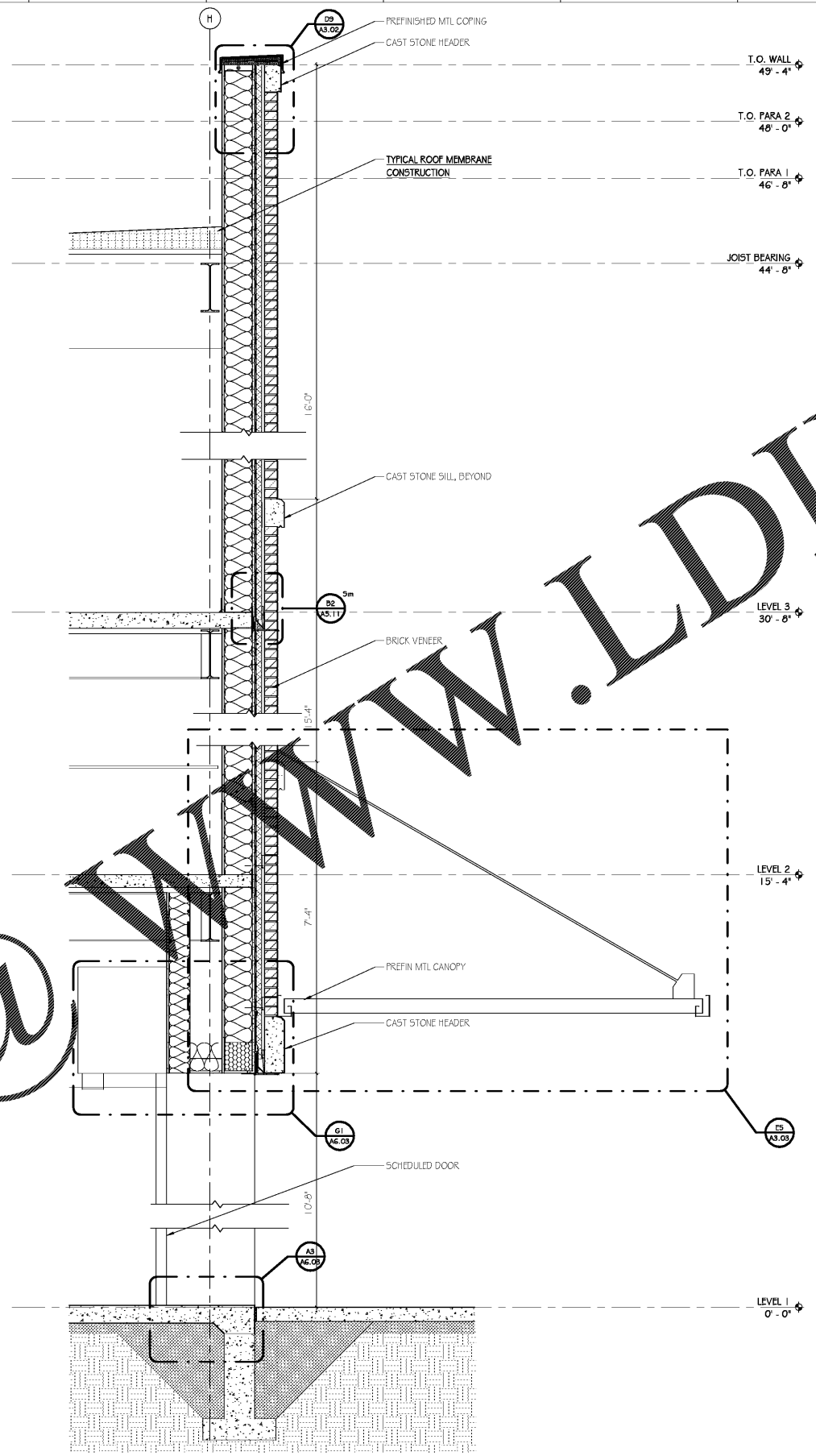


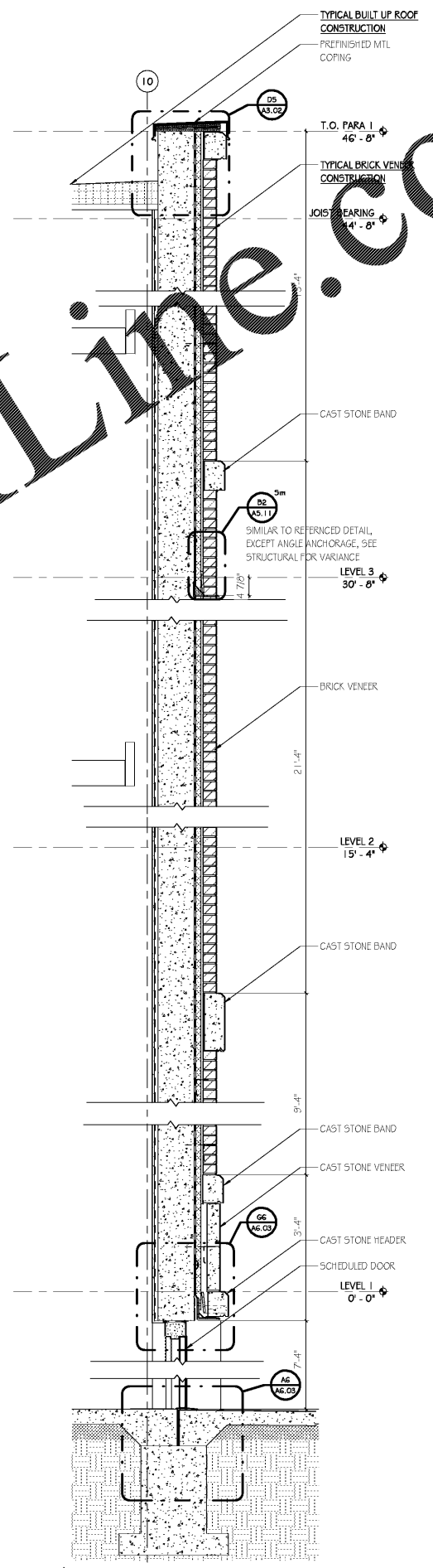
CONSTRUCTION TYPES		
<b>WALL CONSTRUCTION:</b>		<b>ROOF CONSTRUCTION:</b>
<b>TYP BRICK VENEER CONST</b>	<b>TYP CAST STONE VENEER CONST</b>	<b>TYPICAL BUILT UP ROOF CONSTRUCTION</b>
BRICK VENEER	CAST STONE MASONRY	MODIFIED BITUMEN SHEET ROOF, MIN 3" LAP
MASONRY TIES	MASONRY TIES	1/2" COVERBOARD
CONT RIGD INSUL	CONT RIGD INSUL	TAPERED INSULATION, WHERE NECESSARY
CONT AIR & WATER BARRIER	CONT AIR & WATER BARRIER	RIGID INSUL - R-30 MIN
		VAPOR BARRIER
		MTL DECK



**A4** TYPICAL WALL - STORM SHELTER1  
SCALE: 3/4" = 1'-0"



**A6** SECTION A  
SCALE: 3/4" = 1'-0"

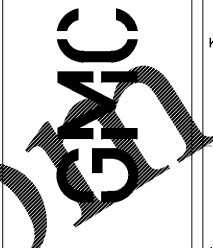


**A10** EXIT STAIR  
SCALE: 3/4" = 1'-0"

Order Plans

@

WWW.LDILINE.COM



2701st Avenue S  
Birmingham, AL 35233  
T 205.879.4462  
GMCNETWORK.COM

ISSUE DATE	ISSUE FOR BID
	2019.05.25

SIMULATION LABORATORY  
BUILDING - USA JOB #16-07  
MOBILE, ALABAMA  
ABC #2017372  
GMC # AMOB160019



**WALL SECTIONS**  
**A5.13**  
Sheet of