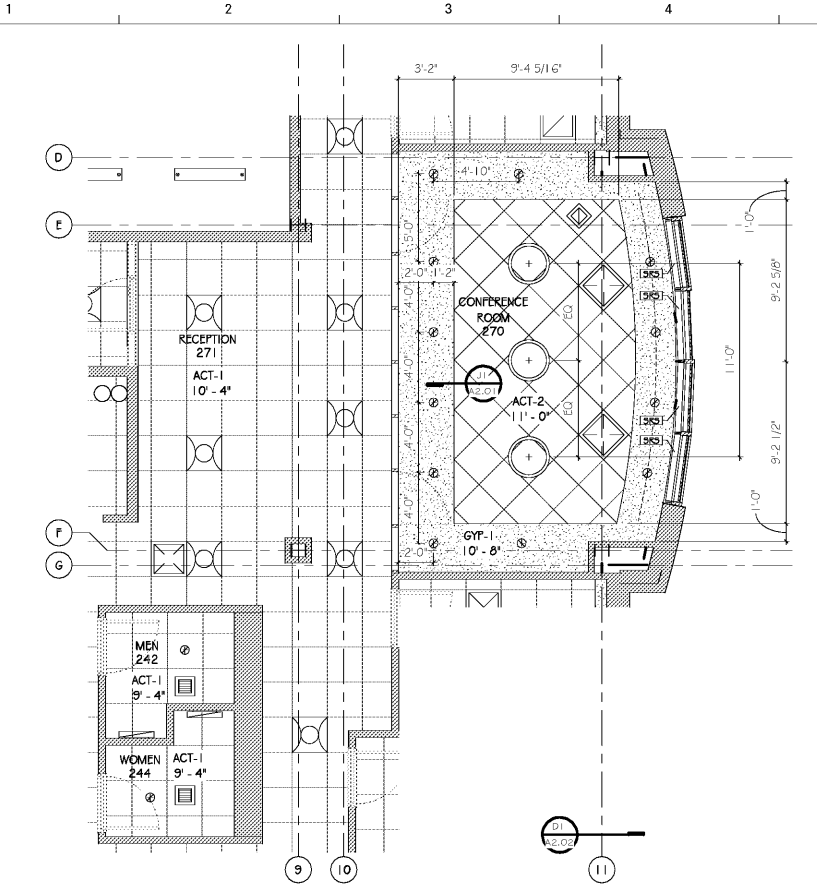
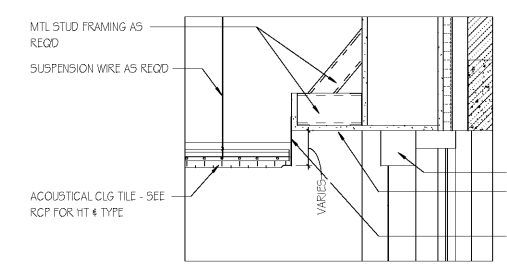


5/25/2018 4:10:07 PM

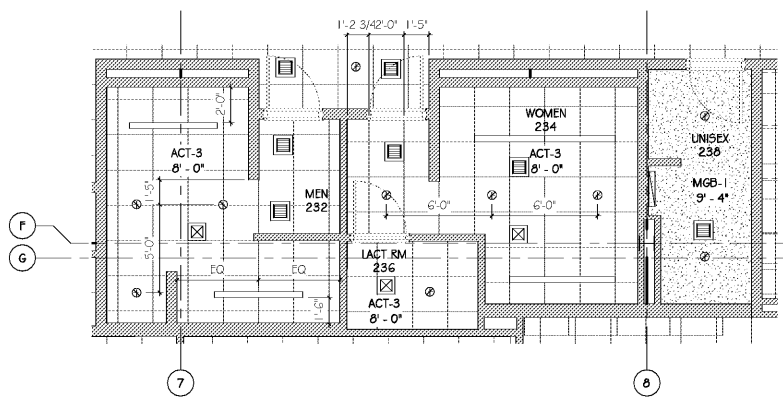
Order Plans @ WWW.LDILLINE.COM



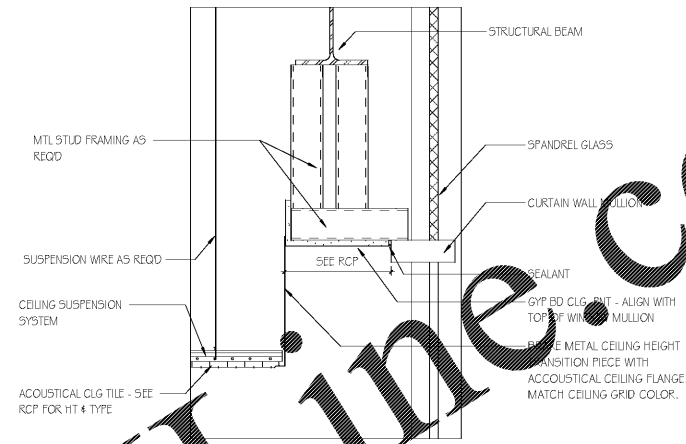
**F1 ENLARGED RCP - FACULTY**  
SCALE: 1/4" = 1'-0"



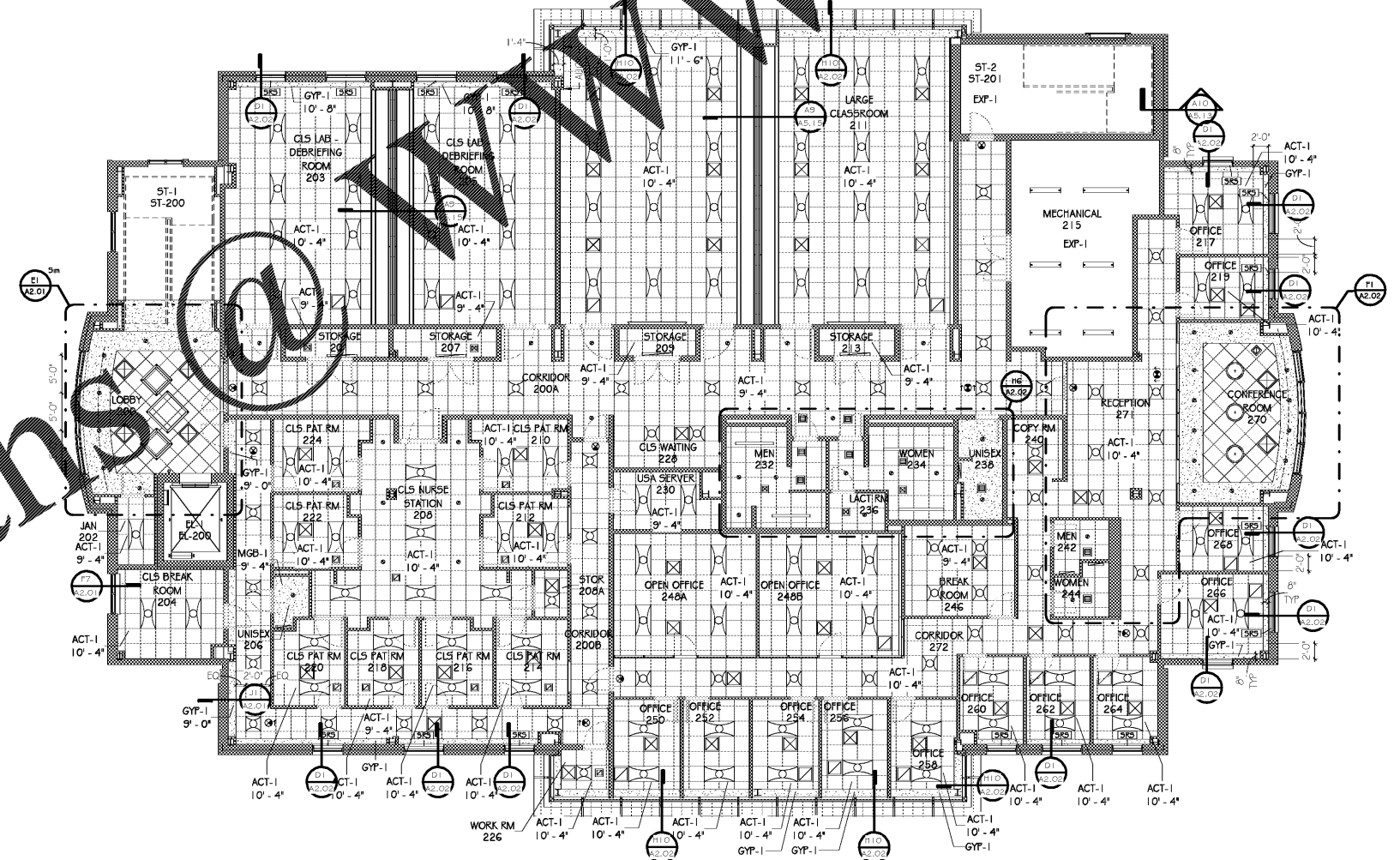
**D1 WINDOW CLG POCKET, LEVEL 2 TYP**  
SCALE: 1 1/2" = 1'-0"



**H6 ENLARGED RCP - LEVEL 2 TLTS**  
SCALE: 1/4" = 1'-0"



**H10 CURTAIN WALL CLG POCKET TYP**  
SCALE: 1 1/2" = 1'-0"



**A4 LEVEL 2**  
SCALE: 1/8" = 1'-0"



ISSUE DATE	ISSUE FOR
2019.05.25	2019.05.25

SIMULATION LABORATORY  
 BUILDING - USA JOB #16-07  
 MOBILE, ALABAMA  
 ABC #2017372  
 GMC # AMOB160019



REFLECTED CEILING  
 PLAN - LEVEL 2

A2.02  
 sheet of

2701 1st Avenue S  
 Birmingham, AL 35233  
 T 205.879.4462  
 GMCNETWORK.COM