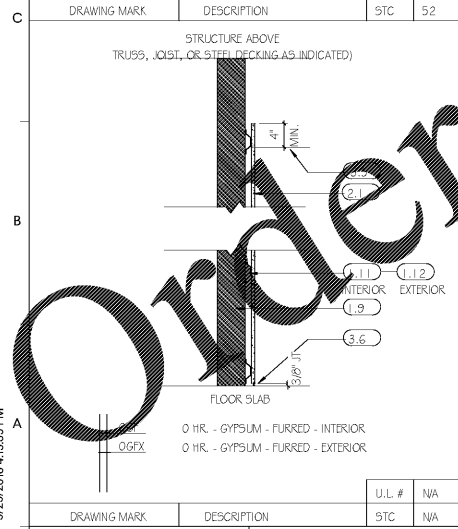
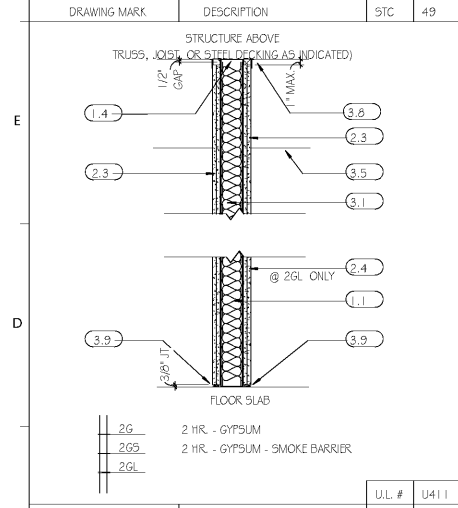
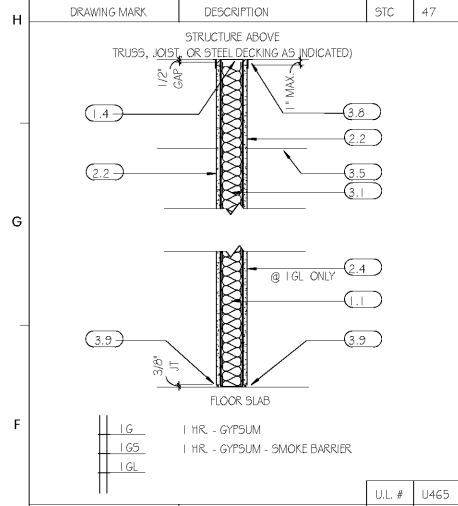
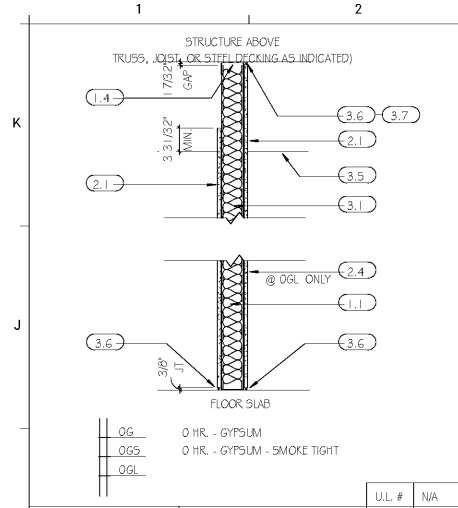


5/25/2019 4:15:39 PM

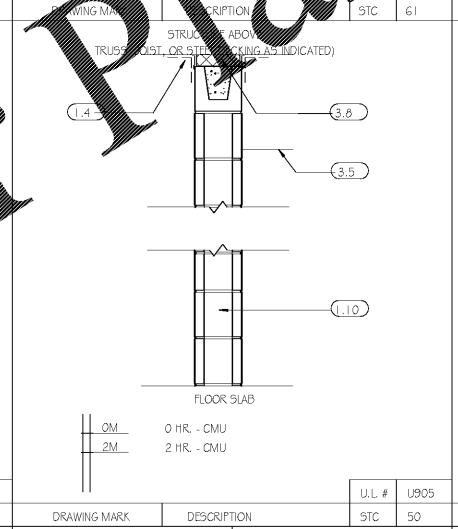
Order Plans



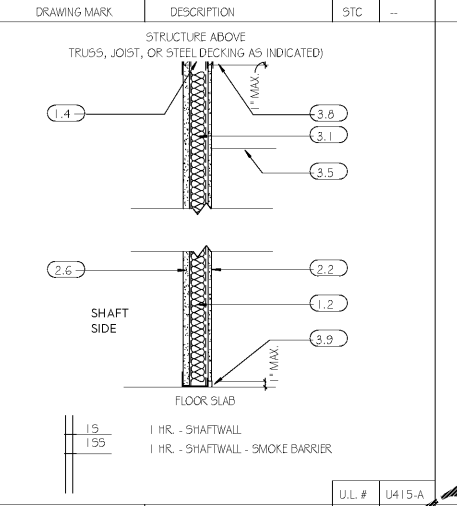
NOT USED

NOT USED

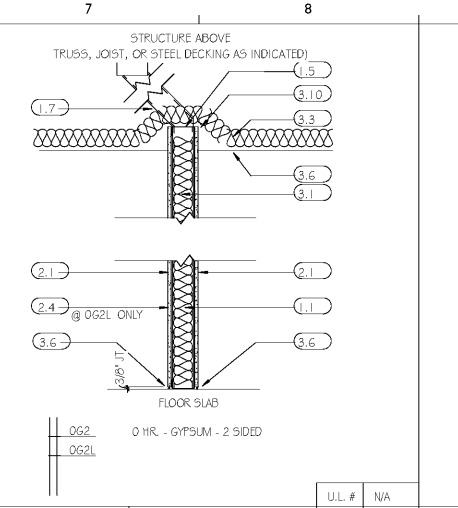
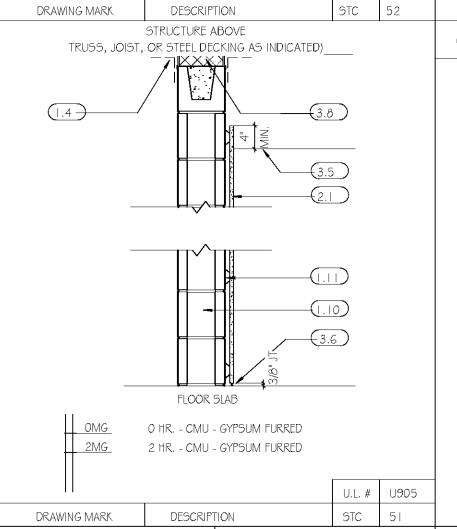
NOT USED



NOT USED



NOT USED

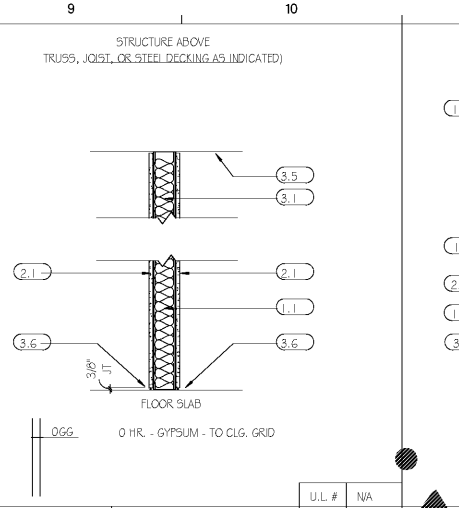


NOT USED

NOT USED

**GENERAL NOTES - PARTITIONS**

- UL LISTED ASSEMBLIES**  
A. WHERE UL ASSEMBLY NUMBERS ARE REFERENCED ABOVE, PARTITIONS SHALL BE CONSTRUCTED IN STRICT COMPLIANCE WITH REQUIREMENTS SET FORTH BY THE UL FIRE RESISTANCE DIRECTORY. NO DEVIATION SHALL BE ALLOWED WITHOUT PRIOR WRITTEN APPROVAL BY THE ARCHITECT AND/OR BUILDING OFFICIAL.
- FIRE BARRIERS, FIRE PARTITIONS, & SMOKE BARRIERS (FIRE-RATED)**  
A. ALL PERIMETER JOINTS MUST BE PROTECTED BY UL LISTED FIRE-RESISTANT JOINT SYSTEMS.  
B. ALL PENETRATIONS OF RATED ASSEMBLIES MUST BE PROTECTED BY UL LISTED THROUGH-PENETRATION FIRESTOPPING ASSEMBLIES.  
C. FIRE DAMPERS MUST PROTECT HVAC DUCT PENETRATIONS.  
D. IDENTIFY FIRE WALLS, SMOKE BARRIERS, ETC., IN ACCESSIBLE CONCEALED FLOOR, FLOOR-CEILING OR ATTIC SPACES, BY STENCILING "X-HOUR FIRE AND/OR SMOKE BARRIER" IN 3-INCH HIGH CONTRASTING LETTERS, 3/8-INCH MINIMUM STROKE. LOCATE WITHIN 15 FEET OF END OF WALL, AND AT INTERVALS NOT EXCEEDING 30 FEET MEASURED HORIZONTALLY ALONG THE WALL OR PARTITION.
- SMOKE PARTITIONS (NON-RATED)**  
A. ALL PERIMETER JOINTS MUST BE SEALED WITH AIRTIGHT SEALANT APPLICATION.  
B. ALL PIPING, ELECTRICAL, AND DUCT PENETRATIONS MUST BE SEALED WITH AIRTIGHT SEALANT APPLICATION.
- SOUND INSULATION**  
A. INSULATION THICKNESS SHALL MATCH CAVITY DEPTH UNLESS NOTED OTHERWISE.  
B. INSULATE BEHIND RECESSED ITEMS IN ANY SCHEDULED ACOUSTIC PARTITIONS.  
C. INSULATION MAY BE OMITTED AT CHASES NOT EXCEEDING 10 S.F. IN AREA.
- ACOUSTICAL SEALANT**  
A. AT ALL GYPSUM BOARD AND METAL STUD PARTITIONS: REQUIRED AT BOTTOM AND TOP RUNNERS AND AT WALL ANGLES WHERE DISSIMILAR MATERIALS MEET (SEE DETAILS).  
B. AT SCHEDULED ACOUSTIC PARTITIONS: AIRTIGHT SEAL IS REQUIRED AT ALL PENETRATIONS.  
C. ELECTRICAL AND OTHER BOXES TO BE WRAP SEALED (SEE DETAILS).
- PARTITION COORDINATION**  
A. COMPLY WITH "PARTITION COORDINATION WITH OTHER TRADES" REQUIREMENTS LOCATED UNDER "GENERAL NOTES" ON PROJECT INFORMATION DRAWING G1.00.
- ALL EXPOSED CONCRETE WALLS AT THE INTERIOR OF THE BUILDING UNLESS NOTED OTHERWISE ARE TO HAVE 0G1/2.5.**
- ALL STUD BACKUP/WALL AT THE EXTERIOR PERIMETER OF THE BUILDING UNLESS NOTED OTHERWISE ARE TO HAVE 0G6.**

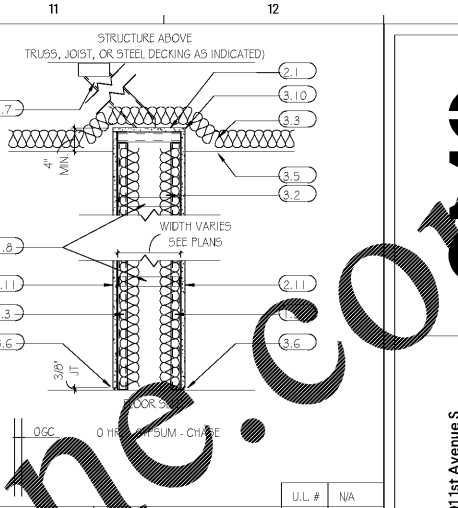


NOT USED

NOT USED

**GENERAL NOTES - PARTITIONS**

- UL LISTED ASSEMBLIES**  
A. WHERE UL ASSEMBLY NUMBERS ARE REFERENCED ABOVE, PARTITIONS SHALL BE CONSTRUCTED IN STRICT COMPLIANCE WITH REQUIREMENTS SET FORTH BY THE UL FIRE RESISTANCE DIRECTORY. NO DEVIATION SHALL BE ALLOWED WITHOUT PRIOR WRITTEN APPROVAL BY THE ARCHITECT AND/OR BUILDING OFFICIAL.
- FIRE BARRIERS, FIRE PARTITIONS, & SMOKE BARRIERS (FIRE-RATED)**  
A. ALL PERIMETER JOINTS MUST BE PROTECTED BY UL LISTED FIRE-RESISTANT JOINT SYSTEMS.  
B. ALL PENETRATIONS OF RATED ASSEMBLIES MUST BE PROTECTED BY UL LISTED THROUGH-PENETRATION FIRESTOPPING ASSEMBLIES.  
C. FIRE DAMPERS MUST PROTECT HVAC DUCT PENETRATIONS.  
D. IDENTIFY FIRE WALLS, SMOKE BARRIERS, ETC., IN ACCESSIBLE CONCEALED FLOOR, FLOOR-CEILING OR ATTIC SPACES, BY STENCILING "X-HOUR FIRE AND/OR SMOKE BARRIER" IN 3-INCH HIGH CONTRASTING LETTERS, 3/8-INCH MINIMUM STROKE. LOCATE WITHIN 15 FEET OF END OF WALL, AND AT INTERVALS NOT EXCEEDING 30 FEET MEASURED HORIZONTALLY ALONG THE WALL OR PARTITION.
- SMOKE PARTITIONS (NON-RATED)**  
A. ALL PERIMETER JOINTS MUST BE SEALED WITH AIRTIGHT SEALANT APPLICATION.  
B. ALL PIPING, ELECTRICAL, AND DUCT PENETRATIONS MUST BE SEALED WITH AIRTIGHT SEALANT APPLICATION.
- SOUND INSULATION**  
A. INSULATION THICKNESS SHALL MATCH CAVITY DEPTH UNLESS NOTED OTHERWISE.  
B. INSULATE BEHIND RECESSED ITEMS IN ANY SCHEDULED ACOUSTIC PARTITIONS.  
C. INSULATION MAY BE OMITTED AT CHASES NOT EXCEEDING 10 S.F. IN AREA.
- ACOUSTICAL SEALANT**  
A. AT ALL GYPSUM BOARD AND METAL STUD PARTITIONS: REQUIRED AT BOTTOM AND TOP RUNNERS AND AT WALL ANGLES WHERE DISSIMILAR MATERIALS MEET (SEE DETAILS).  
B. AT SCHEDULED ACOUSTIC PARTITIONS: AIRTIGHT SEAL IS REQUIRED AT ALL PENETRATIONS.  
C. ELECTRICAL AND OTHER BOXES TO BE WRAP SEALED (SEE DETAILS).
- PARTITION COORDINATION**  
A. COMPLY WITH "PARTITION COORDINATION WITH OTHER TRADES" REQUIREMENTS LOCATED UNDER "GENERAL NOTES" ON PROJECT INFORMATION DRAWING G1.00.
- ALL EXPOSED CONCRETE WALLS AT THE INTERIOR OF THE BUILDING UNLESS NOTED OTHERWISE ARE TO HAVE 0G1/2.5.**
- ALL STUD BACKUP/WALL AT THE EXTERIOR PERIMETER OF THE BUILDING UNLESS NOTED OTHERWISE ARE TO HAVE 0G6.**



NOT USED

NOT USED

**NUMBERED NOTES**

- 1.1. Metal studs 16" OC Double-stud jambs full height at all door openings
- 2.1. Shaftwall studs 24" OC
- 1.3. Plumbing Chase. 1 5/8" metal studs 16" OC in two rows. Width Vanes
- 1.4. Deflection track (0.0329 in. metal thickness). Maintain min. 1/2" stud gap
- 1.5. Continuous top track (0.0329 in. metal thickness)
- 1.6. Resilient channels 24" OC vertical
- 1.7. Stud bracing min. 48 in. OC (24" OC at wall-hung cabinets)
- 1.8. Steel stud or runner bracing, full width of cavity, 48" OC vertical max
- 1.9. New or existing substrate
- 1.10. CMU (UL Listed where applicable). See Structural for reinforcing, Intel, and top bracing requirements
- 1.11. At Interior furring: provide 7/8 in. hat-shaped metal furring
- 1.12. At Exterior (perimeter) furring: provide 2 in. Z-shaped metal furring with min. R-8 board insulation

**PARTITION KEY**

1G	TYPE 1G
6"	6" METAL STUDS
1S	TYPE 1S
2.5"	2.5" METAL CH STUDS
0M	TYPE 0M
4"	4" CMU
	PARTITION TYPE
	FRAMING SIZE IN INCHES

**GMC**

2701 1st Avenue S  
Birmingham, AL 35233  
T 205.879.4462  
GMCNETWORK.COM

ISSUE DATE	ISSUE FOR BID
2019.05.25	

DRAWN BY: AUBOR  
CHECKED BY: JMC/SB/JW

SIMULATION LABORATORY  
BUILDING - USA JOB #16-07  
MOBILE, ALABAMA  
ABC #2017372  
GMC # AMOB160019

STATE OF ALABAMA  
REGISTERED ARCHITECT

PARTITION TYPES -  
INTERIOR  
**G1.21**  
sheet 2 of