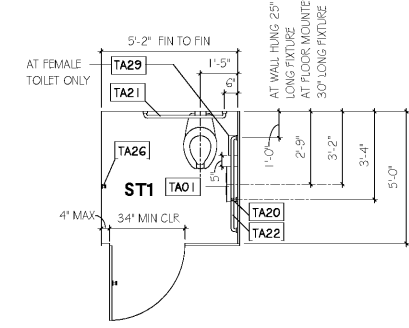


STANDARD LAYOUTS - ADAAG / ANSI

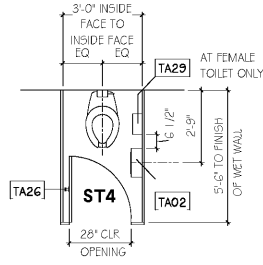
NOTE: LOCATE FLUSH ACTIVATION ON WIDE SIDE AT ALL TOILETS - LOCATE FLUSH VALVE BENEATH ADJACENT GRAB BARS.

TOILET ACCESSORY SCHEDULE

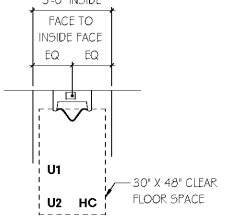
ST1	TOILET COMPARTMENT - TYPE 1 - REF SHEET G1.1.2
ST4	TOILET COMPARTMENT - TYPE 4 - REF SHEET G1.1.2
T1	TYPICAL ADA TOILET ROOM T1 - REF SHEET G1.1.2
T2	TYPICAL ADA TOILET ROOM T2 - REF SHEET G1.1.2
T3	STANDARD TOILET ROOM, REF SHEET G1.1.2
TA02	JUMBO ROLL TOILET TISSUE DISPENSER - OPC1
TA03	SURFACE MOUNTED PAPER TOWEL DISPENSER - LG CAPACITY - OPC1
TA04	SURFACE MOUNTED PAPER TOWEL DISPENSER - SM - OPC1
TA15	WALL MOUNTED SOAP DISPENSER - OPC1
TA17	SOAP DISPENSER BY OWNER
TA20	1 8" VERTICAL GRAB BAR
TA21	3 6" HORIZONTAL GRAB BAR
TA22	4 2" HORIZONTAL GRAB BAR
TA23	FRAMED MIRROR
TA24	FRAMED MIRROR - 24" X 60"
TA25	FRAMED MIRROR - 1 8"W X 3 6"H - NO SHELF
TA26	SURFACE MOUNTED ROBE HOOK
TA29	SANITARY WIPKIN RECEPTACLE
TA35	CURVED HORIZONTAL GRAB BAR, POWER OPERATED, 30" L X 2 4" W
TA41	HEAVY DUTY SHOWER ROLLER
TA42	SHOWER CURTAIN
TA43	BABY CHANGING STATION
TA44	UNDERLAVATORY CABINET
TA60	JANITORIAL SHELF



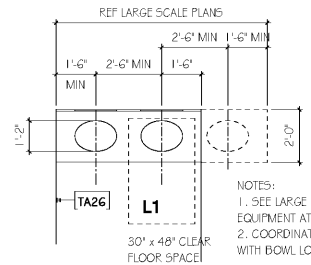
**WHEELCHAIR ACCESSIBLE TOILET COMPARTMENT**  
PLAN DESIGNATION **ST1**



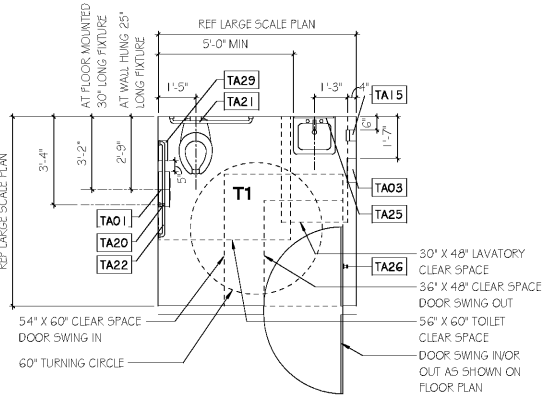
**STANDARD COMPARTMENT**  
PLAN DESIGNATION **ST4**



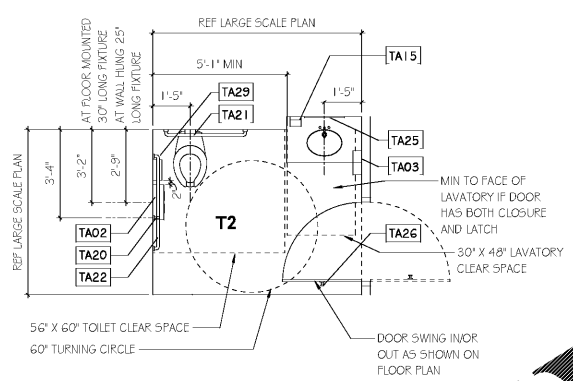
**STANDARD URINAL**  
PLAN DESIGNATION **U1**  
**U2 @ ACCESSIBLE**



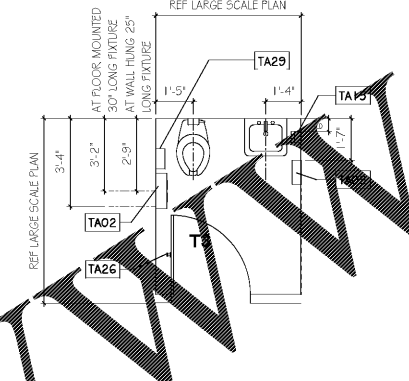
**STANDARD ACCESSIBLE TOILET ROOM**  
PLAN DESIGNATION **L1**



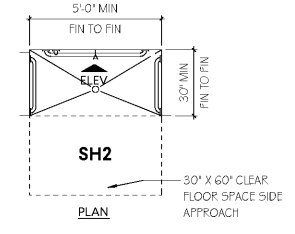
**STANDARD ACCESSIBLE TOILET ROOM**  
PLAN DESIGNATION **T1**



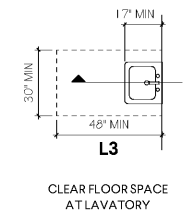
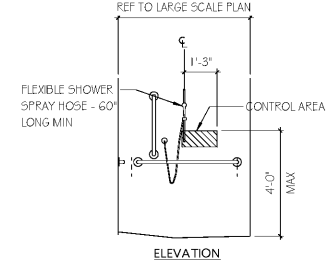
**STANDARD ACCESSIBLE TOILET ROOM**  
PLAN DESIGNATION **T2**



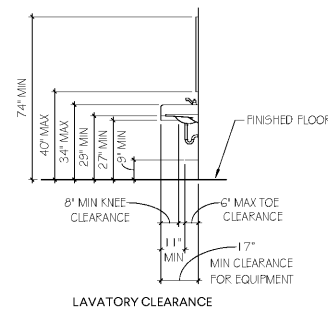
**STANDARD TOILET ROOM**  
PLAN DESIGNATION **T3**



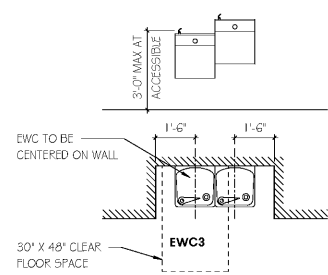
**ACCESSIBLE ROLL-IN SHOWER COMPARTMENT STALL WITH GRAB BAR, NO SHOWER SEAT**  
PLAN DESIGNATION **SH2**



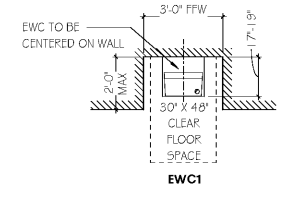
**ACCESSIBLE LAVATORY FRONT APPROACH**  
PLAN DESIGNATION **L3**



**ACCESSIBLE LAVATORY FRONT APPROACH SECTION**  
SECTION **L3**



**FOUNTAIN / COOLER HI-LO**  
PLAN DESIGNATION **EWC3**



**FOUNTAIN / COOLER BUILT-IN**  
PLAN DESIGNATION **EWC1**

ISSUE DATE	ISSUE FOR BID
	2019.05.25

SIMULATION LABORATORY  
BUILDING - USA JOB #16-07  
MOBILE, ALABAMA  
ABC #2017372  
GMC # AMOB160019



**TYPICAL ACCESSIBLE PLUMBING LAYOUTS**  
**G1.12**  
sheet 2 of

2701st Avenue S  
Birmingham, AL 35233  
T 205.879.4462  
GMCNETWORK.COM