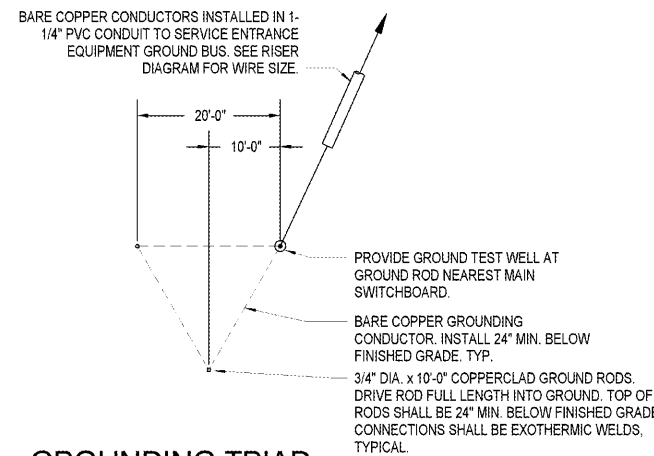


BUILDING EQUIPMENT CONNECTION SCHEDULE

EQUIPMENT DESIGNATION	LOCATION	DESCRIPTION	EQUIPMENT RATINGS					STARTER				DISCONNECT DATA				CONDUCTOR AND CONDUIT	
			VOLT	PH	F.L.A.	KVA	OC/DP	TYPE	TYPE	RATING	OC/DP	# OF SETS	CONDUCTOR	CONDUIT (NOTE 1)			
MAU-1	MECH YARD	RANGE MAKEUP AIR UNIT	480	3	105.4	182.45	225	VFD	MANUF.	MANUF.	MANUF.	1	3#300	3			
FAU-1	MECH YARD	RANGE EXHAUST AIR FAN	480	3	86.8	72.16	125	VFD	MANUF.	MANUF.	MANUF.	1	3#250	2			
RTU-1	ROOF	ROOFTOP UNIT	480	3	25.7	24.89	45	MANUF.	MANUF.	MANUF.	MANUF.	1	3#6	1			
RTU-2	ROOF	ROOFTOP UNIT	480	3	20.2	16.79	30	MANUF.	MANUF.	MANUF.	MANUF.	1	3#10	3/4			
RTU-3	ROOF	ROOFTOP UNIT	480	3	22.5	18.71	30	MANUF.	MANUF.	MANUF.	MANUF.	1	3#10	3/4			
RTU-4	ROOF	ROOFTOP UNIT	480	3	14.8	12.30	20	MANUF.	MANUF.	MANUF.	MANUF.	1	3#12	3/4			
EF-1	ROOF	EXHAUST FAN	120	1	1.5	0.18	20	MANUF.	MANUF.	MANUF.	MANUF.	1	2#12	3/4			
EF-2	ROOF	EXHAUST FAN	120	1	1.5	0.18	20	MANUF.	MANUF.	MANUF.	MANUF.	1	2#12	3/4			
EF-3	ROOF	EXHAUST FAN	120	1	2.2	0.26	20	MANUF.	MANUF.	MANUF.	MANUF.	1	2#12	3/4			
EF-4	ROOF	EXHAUST FAN	120	1	1.5	0.18	20	MANUF.	MANUF.	MANUF.	MANUF.	1	2#12	3/4			
EF-5	ROOF	EXHAUST FAN	120	1	1.5	0.18	20	MANUF.	MANUF.	MANUF.	MANUF.	1	2#12	3/4			
EF-6	ROOF	EXHAUST FAN	120	1	1.5	0.18	20	MANUF.	MANUF.	MANUF.	MANUF.	1	2#12	3/4			
EF-7	ROOF	EXHAUST FAN	120	1	1.5	0.18	20	MANUF.	MANUF.	MANUF.	MANUF.	1	2#12	3/4			
EF-8	ROOF	BATHROOM EXHAUST FAN	120	1	0.1	0.01	20	MANUF.	MANUF.	MANUF.	MANUF.	1	2#12	3/4			
EF-9	ROOF	BATHROOM EXHAUST FAN	120	1	0.1	0.01	20	MANUF.	MANUF.	MANUF.	MANUF.	1	2#12	3/4			
DBS-1	ROOF	DUCTLESS SPLIT SYSTEM - TELECOM ROOM	208	1	18	3.74	30	MANUF.	MANUF.	MANUF.	MANUF.	1	3#12	3/4			
VAV-101	WORKOUT 110	VAV BOX	208	1	22.1	4.65	30	MANUF.	MANUF.	MANUF.	MANUF.	1	2#12	3/4			
VAV-102	POLICE 112	VAV BOX	120	1	5	0.65	20	MANUF.	MANUF.	MANUF.	MANUF.	1	2#12	3/4			
VAV-103	POLICE 114	VAV BOX	120	1	5	0.65	20	MANUF.	MANUF.	MANUF.	MANUF.	1	2#12	3/4			
VAV-104	POLICE 109	VAV BOX	120	1	5	0.65	20	MANUF.	MANUF.	MANUF.	MANUF.	1	2#12	3/4			
VAV-105	CLOSET 111	VAV BOX	120	1	13.3	1.60	20	MANUF.	MANUF.	MANUF.	MANUF.	1	2#12	3/4			
VAV-106	CANNINE TRAINING 118	VAV BOX	120	1	11.7	1.40	20	MANUF.	MANUF.	MANUF.	MANUF.	1	2#12	3/4			
VAV-107	ARACORER 121	VAV BOX	120	1	8.3	1.00	20	MANUF.	MANUF.	MANUF.	MANUF.	1	2#12	3/4			
VAV-108	WEAPONS CLEANING 120	VAV BOX	208	1	16.3	3.39	30	MANUF.	MANUF.	MANUF.	MANUF.	1	2#12	3/4			
VAV-109	DRIVING SIMULATOR 127	VAV BOX	120	1	6.7	0.80	20	MANUF.	MANUF.	MANUF.	MANUF.	1	2#12	3/4			
VAV-110	CONTROL ROOM 132	VAV BOX	120	1	13.3	1.60	20	MANUF.	MANUF.	MANUF.	MANUF.	1	2#12	3/4			
VAV-201	CONFERENCE 145	VAV BOX	120	1	10	1.20	20	MANUF.	MANUF.	MANUF.	MANUF.	1	2#12	3/4			
VAV-202	FIRE CHIEF 144	VAV BOX	120	1	5	0.65	20	MANUF.	MANUF.	MANUF.	MANUF.	1	2#12	3/4			
VAV-203	FIRE OFFICE 143	VAV BOX	120	1	5	0.65	20	MANUF.	MANUF.	MANUF.	MANUF.	1	2#12	3/4			
VAV-204	FIRE OFFICE 142	VAV BOX	120	1	5	0.65	20	MANUF.	MANUF.	MANUF.	MANUF.	1	2#12	3/4			
VAV-205	FIRE OFFICE 141	VAV BOX	120	1	5	0.65	20	MANUF.	MANUF.	MANUF.	MANUF.	1	2#12	3/4			
VAV-206	FIRE OFFICE 140	VAV BOX	120	1	5	0.65	20	MANUF.	MANUF.	MANUF.	MANUF.	1	2#12	3/4			
VAV-207	FIRE OFFICE 139	VAV BOX	120	1	5	0.65	20	MANUF.	MANUF.	MANUF.	MANUF.	1	2#12	3/4			
VAV-208	BREAK ROOM 146	VAV BOX	208	1	11.5	1.40	20	MANUF.	MANUF.	MANUF.	MANUF.	1	2#12	3/4			
VAV-209	FIRE LAUNDRY 137	VAV BOX	120	1	6.7	0.80	20	MANUF.	MANUF.	MANUF.	MANUF.	1	2#12	3/4			
VAV-210	FIRE MEDIA 134	VAV BOX	120	1	9.6	2.00	20	MANUF.	MANUF.	MANUF.	MANUF.	1	2#12	3/4			
VAV-301	TRAINING 108	VAV BOX	120	1	15.4	3.20	20	MANUF.	MANUF.	MANUF.	MANUF.	1	2#12	3/4			
VAV-302	TRAINING 105	VAV BOX	120	1	15.4	3.20	20	MANUF.	MANUF.	MANUF.	MANUF.	1	2#12	3/4			
VAV-303	TRAINING 102	VAV BOX	120	1	15.4	3.20	20	MANUF.	MANUF.	MANUF.	MANUF.	1	2#12	3/4			
VAV-304	LOBBY 101	VAV BOX	208	1	9.6	2.00	20	MANUF.	MANUF.	MANUF.	MANUF.	1	2#12	3/4			
VAV-305	LOBBY 101	VAV BOX	208	1	9.6	2.00	20	MANUF.	MANUF.	MANUF.	MANUF.	1	2#12	3/4			
UH-1	FIRE CONTROL 136	UNIT HEATER	208	1	9.6	2.00	20	MANUF.	MANUF.	MANUF.	MANUF.	1	2#12	3/4			
UH-2	FIRE LOGISTICS 135	UNIT HEATER	208	1	14.4	3.00	20	MANUF.	MANUF.	MANUF.	MANUF.	1	2#12	3/4			
DH-1	AMMO STORAGE 122	DEHUMIDIFICATION UNIT	208	1	7.6	1.58	20	C&P	---	---	---	1	2#12	3/4			
GWH-1	FIRE CONTROL 136	TAKELESS WATER HEATER	120	1	1.7	0.20	20	CTLR	MANUF.	MANUF.	MANUF.	1	2#12	3/4			
GWH-2	FIRE CONTROL 136	TAKELESS WATER HEATER	120	1	1.7	0.20	20	CTLR	MANUF.	MANUF.	MANUF.	1	2#12	3/4			
GWH-3	FIRE CONTROL 136	TAKELESS WATER HEATER	120	1	1.7	0.20	20	CTLR	MANUF.	MANUF.	MANUF.	1	2#12	3/4			
RP-1	FIRE CONTROL 137	RECIRC PUMP	120	1	0.8	0.10	20	CTLR	MANUF.	MANUF.	MANUF.	1	2#12	3/4			
P-6	LOBBY 101	WATER COOLER	120	1	5	0.65	20	---	---	---	---	1	2#12	3/4			
EW-2	LOBBIES	ELECTRIC WATER COOLERS	120	1	4.4	0.53	20	C&P	---	---	---	1	2#12	3/4			
RP-1	FIRE CONTROL 136	RECIRC PUMP	120	1	3	0.36	20	CTLR	MANUF.	MANUF.	MANUF.	1	2#12	3/4			
W-LAUNDRY	FIRE LAUNDRY 137	WASHER DRYER	120	1	16	1.92	20	C&P	---	---	---	1	2#12	3/4			
E-LAUNDRY	FIRE LAUNDRY 137	WASHER DRYER	208	1	16	3.33	20	C&P	---	---	---	1	2#12	3/4			
D-LAUNDRY	FIRE LAUNDRY 137	DRAIN	208	1	24	4.95	30	C&P	---	---	---	1	2#12	3/4			
KITCHEN-R	BREAK ROOM 146	REFRIGERATOR	120	1	32	6.96	40	C&P	---	---	---	1	2#6	1			
KITCHEN-F	BREAK ROOM 146	REFRIGERATOR	120	1	12.5	1.50	20	C&P	---	---	---	1	2#12	3/4			
KITCHEN-M	BREAK ROOM 146	MICROWAVE	120	1	12	1.44	20	C&P	---	---	---	1	2#12	3/4			
AC-1	BULLET	AIR COMPRESSOR	208	3	17.5	6.30	30	MAG	FUSED	30	25	1	3#10	3/4			
MCD-1	STORAGE	COILING DOOR	480	3	1.1	0.91	20	MAG	FUSED	30	20	1	3#12	3/4			

ABBREVIATIONS

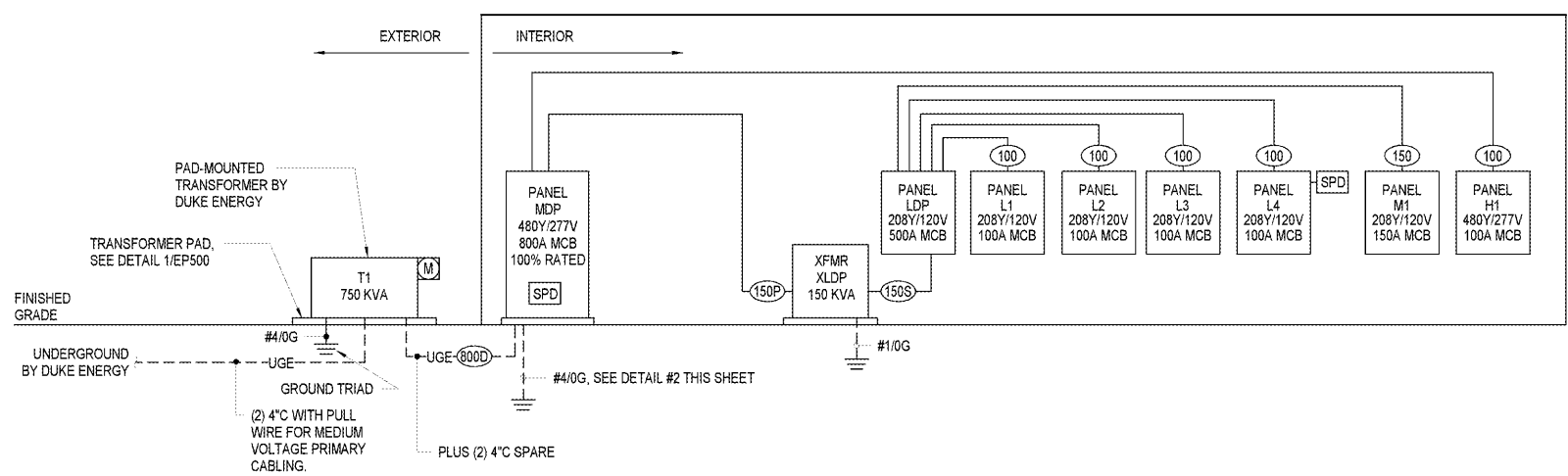
MF	NON FUSED	MAG	MAGNETIC STARTER
MANUF.	PROVIDE IN ACCORDANCE WITH MANUFACTURER'S RECOMMENDATION	VFD	VARIABLE FREQUENCY DRIVE
MRS	MOTOR RATED SWITCH	C&P	CORD & PLUS
---	INDICATES NOT APPLICABLE		
MCCB	MOLDED CASE CIRCUIT BREAKER		
EDM	ELECTRICALLY COMMUTATED MOTOR		
CTLR	MANUFACTURER PROVIDED CONTROLLER		



3 GROUNDING TRIAD
NO SCALE

CONDUCTOR SCHEDULE

DESIGNATION	SETS	PHASE	NEUTRAL	GROUND	EMT	RMC	PVC
100	1	3#2	#2	#6	1-1/4	1-1/4	1-1/4
150	1	3#1/0	#1/0	#6	2	2	2
150P	1	3#4/0	#4/0	#4	2-1/2	2-1/2	2-1/2
150S	2	3#250	#250	#1/0	2-1/2	2-1/2	3
800D	2	3#600	#600	#4/0	4	4	4



1 POWER RISER DIAGRAM
NO SCALE

DESIGNER

SEALS

2018.05.10 16:41:16-04'00

SUBMITTAL

4 MAY 2018

CONSTRUCTION DOCUMENTS

REVISIONS

SHEET

POWER RISER DIAGRAM

EP600

S:\02018-1428-88-04
 C:\Proj\Projects\18193 Police Fire City Training Facility\ET1_insk.rvt