

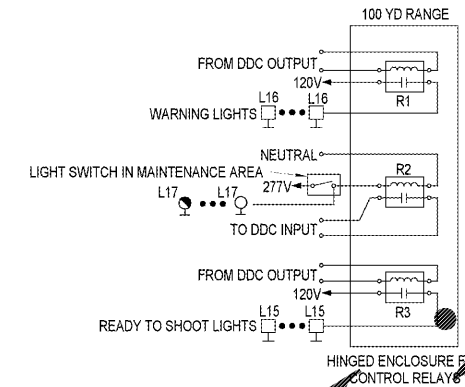
SUBMITTAL
 4 MAY 2018
 CONSTRUCTION DOCUMENTS

REVISIONS:

NO.	DESCRIPTION

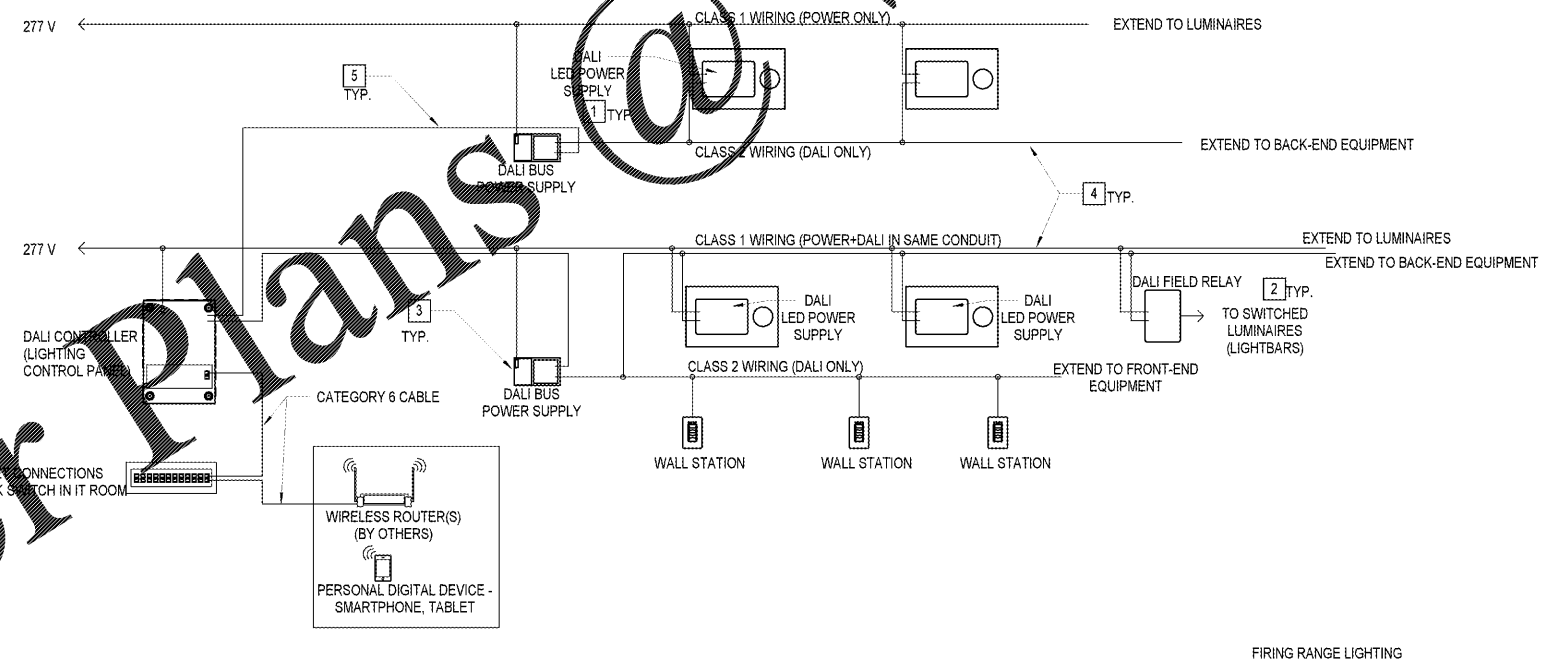
SHEET
ELECTRICAL DETAILS

EP501



NOTES:
 1. THE MECHANICAL PLANS FOR SEQUENCE OF OPERATIONS FOR LUMINAIRES L15 AND L16. CONTROL WIRING TO DDC INPUTS AND OUTPUTS BY CONTROLS CONTRACTOR.
 2. CONTROL RELAY CONTACTS SHALL BE RATED FOR CONTINUOUS LOAD OF 20A OR HIGHER. VOLTAGE RATINGS FOR CONTACTS AND COILS SHALL BE SUITABLE FOR VOLTAGES INDICATED. COILS CONNECTED TO DDC CONTROL PANEL OUTPUTS SHALL BE SELECTED TO MATCH AVAILABLE DDC OUTPUT VOLTAGE.

2 WARNING LIGHT CONTROL RELAY WIRING DIAGRAM
 NO SCALE



DALI WIRING NOTES:

GENERAL:

1. PROVIDE FACTORY REPRESENTATIVE FOR PRE-PROGRAMMING MEETING WITH OWNER TO DETERMINE ZONE ASSIGNMENTS FOR LUMINAIRES.
2. PROVIDE FULL PROGRAMMING SESSION, ON SITE, WITH OWNER TO DETERMINE PRESET SCENE CONFIGURATIONS AND ESTABLISH (ZONE) DIMMING LEVELS FOR EACH SCENE.
3. PROVIDE SIX-MONTH FOLLOWUP/VERIFICATION PROGRAMMING SESSION, ON SITE, WITH OWNER TO ADJUST LIGHTING ACCORDING TO USAGE.
4. DALI WIRING DIAGRAM IS SCHEMATIC IN NATURE; NOT ALL DEVICES ARE SHOWN.
5. CLASS 2 DALI WIRING SHALL BE PERMITTED IN ACCESSIBLE CEILING AREAS ONLY.
6. A MAXIMUM OF 64 DALI DEVICES CAN BE CONNECTED TO A DALI COMMUNICATION BUS.
7. A MAXIMUM OF 250 MILLI-AMPS CAN BE SUPPLIED TO A DALI COMMUNICATION BUS.
8. THE DALI COMMUNICATION BUS HAS A MAXIMUM LENGTH OF 300 METERS OR 980 FEET.
9. CAT 6 CABLE LENGTH NOT TO EXCEED 100 METERS OR 328 FEET.
10. CLASS 2 DALI SHALL NOT BE RUN WITH, OR EXIST IN THE SAME BOX AS CLASS 1 WIRING.

KEYNOTES:

1. DALI DIMMABLE DRIVER PROVIDES A DIMMING RANGE OF 3-100%. REFER TO DALI DRIVER PRODUCT SPECIFICATIONS.
2. DALI FIELD RELAY PROVIDES ON/OFF CONTROL.
3. DALI BUS POWER SUPPLY CAPACITY IS A MAXIMUM OF 64 DEVICES. PROVIDE POWER SUPPLIES REQUIRED TO SERVE RANGE LIGHTING.
4. CLASS 1 AND CLASS 2 WIRING METHODS ILLUSTRATED ARE BOTH ACCEPTABLE FOR RANGE LUMINAIRES. SELECT WIRING METHOD BEST SUITED FOR INSTALLATION ABOVE RANGE BAFFLES. THERE IS NO ACCESS ABOVE RANGE BAFFLES AFTER INSTALLATION. WIRING METHODS MUST PROVIDE FULL ACCESS FROM BELOW THE RANGE BAFFLES.
5. #16/2 AWG FOR DALI COMMUNICATION BUS.

1 DALI WIRING DIAGRAM
 NO SCALE

S:\02018-4-26-18-RM
 C:\P\01 Projects\051933 Police Fire City Training Facility\011_rack.rvt