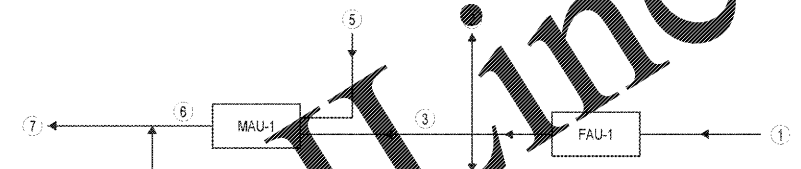
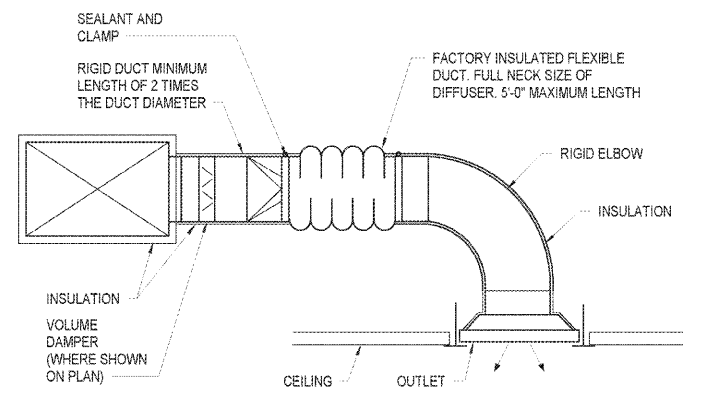


**GAS SERVICE FLOW DIAGRAM**  
 NO SCALE

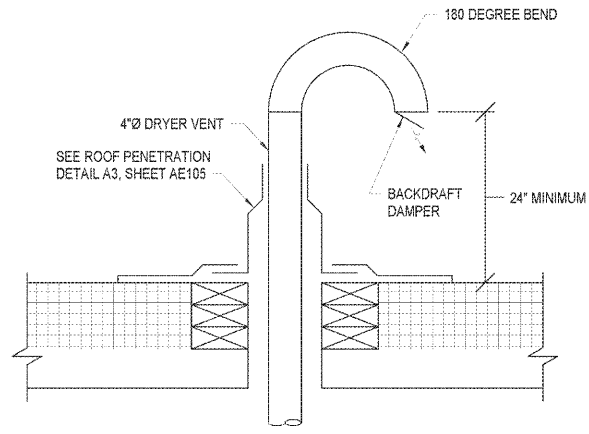
AIR FLOW DATA		
ID	DESCRIPTION	AIR FLOW (CFM)
1	RETURN AIR FROM RANGE	37180
2	EXHAUST AIR TO ATMOSPHERE	11830
3	RETURN AIR TO MAU-1	8450
4	RECIRCULATION AIR (BYPASS) TO SYSTEM	18900
5	OUTSIDE AIR	8450
6	MAU-1 DISCHARGE AIR	16900
7	SUPPLY AIR TO RANGE	33800



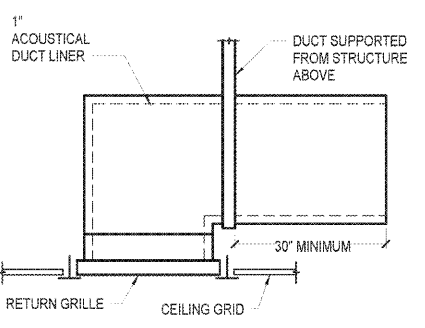
**FIRING RANGE AIR FLOW DIAGRAM**  
 NO SCALE



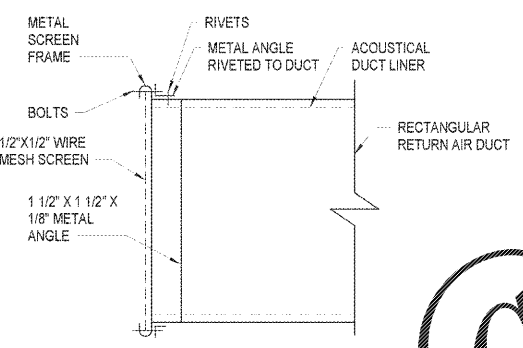
**FLEXIBLE DUCT CONNECTION DETAIL**  
 NO SCALE



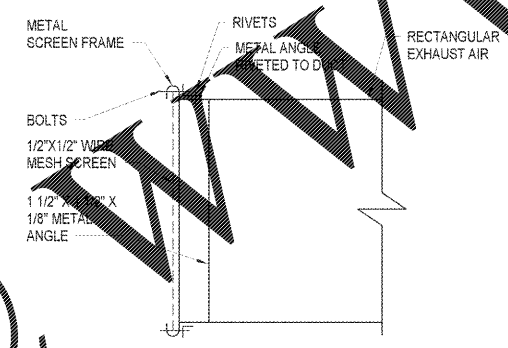
**DRYER EXHAUST ROOF VENT DETAIL**  
 NO SCALE



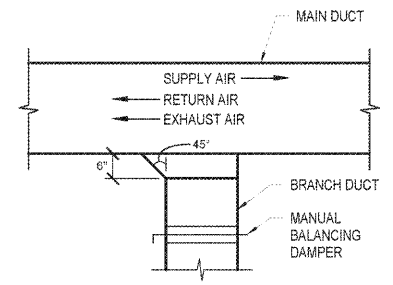
**RETURN GRILLE  
 W/PLENUM DETAIL**  
 NO SCALE



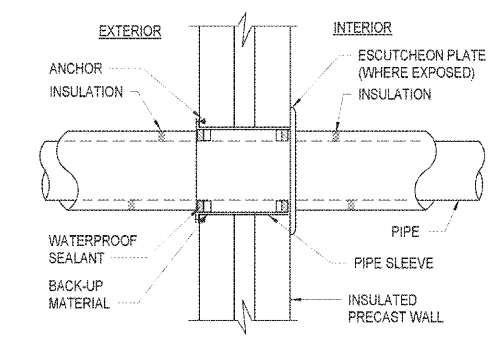
**RTU RETURN DUCT INLET DETAIL**  
 NO SCALE



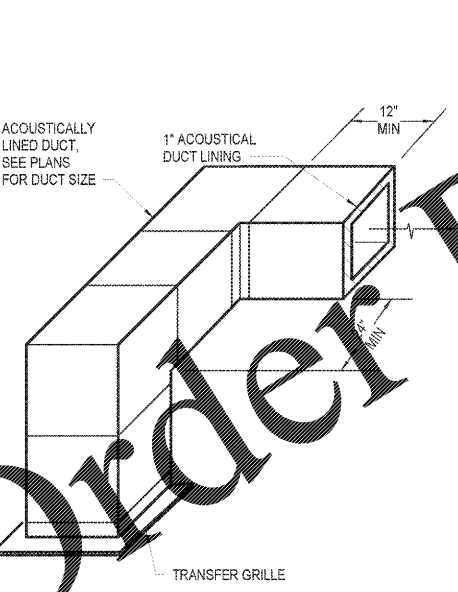
**EXHAUST DUCT OUTLET DETAIL**  
 NO SCALE



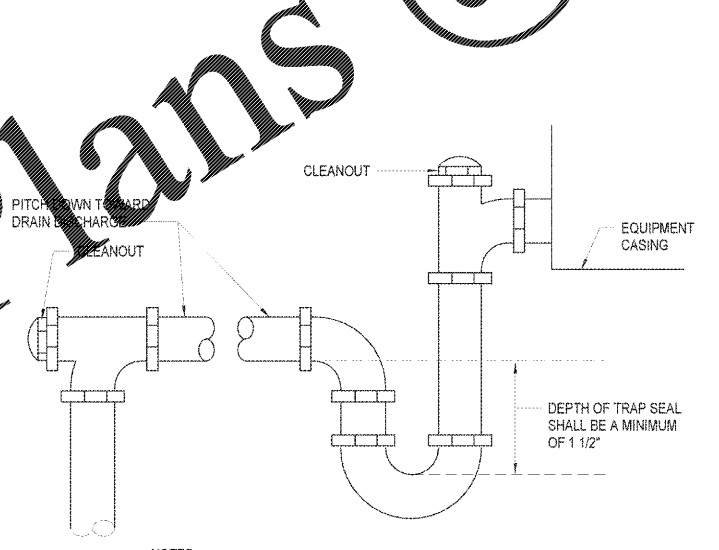
**BRANCH CONNECTION**  
 NO SCALE



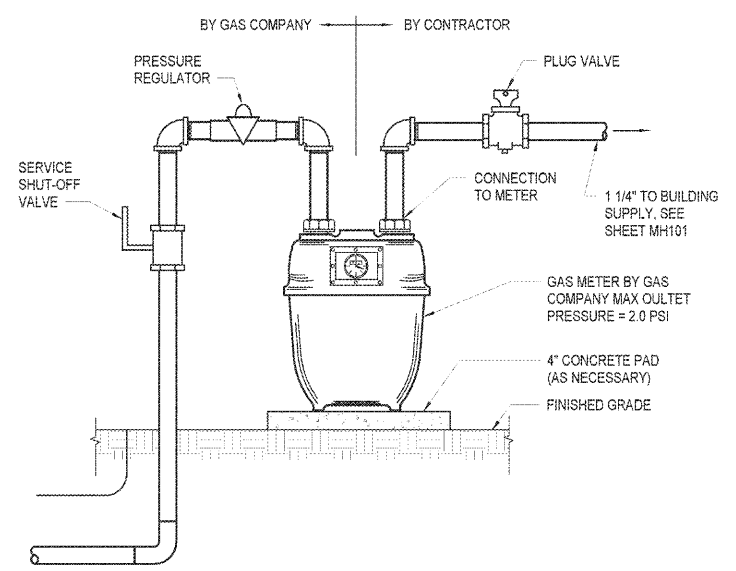
**PIPE SLEEVE  
 THRU EXTERIOR WALL DETAIL**  
 NO SCALE



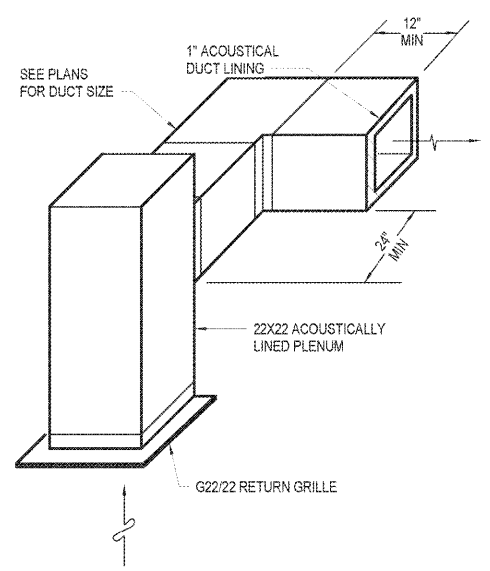
**ACOUSTICALLY LINED  
 TRANSFER DUCT DETAIL**  
 NO SCALE



**CONDENSATION TRAP DETAIL**  
 NO SCALE

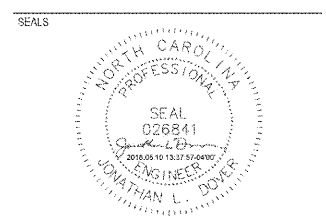


**GAS SERVICE DETAIL**  
 NO SCALE



**ACOUSTICALLY LINED  
 RETURN DUCT DETAIL**  
 NO SCALE

DESIGNER  
**CLARKNEXSEN**  
 213 South Jefferson, Suite 1011  
 Roanoke, Virginia 24011  
 540-982-0800  
 www.clarknexsen.com  
 Clark Nexsen License Number: C-1028



SUBMITTAL  
 4 MAY 2018  
**CONSTRUCTION DOCUMENTS**

REVISIONS

NO.	DESCRIPTION

SHEET  
**DETAILS**

**M-501**

DESIGN: JLD  
 DRAWN: DRL  
 REVIEW: EES  
 CN 5938

Order Plans @ www.LDILine.com