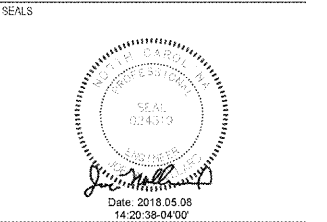


DESIGNER
CLARK NEXSEN
 213 South Jefferson, Suite 1011
 Roanoke, Virginia 24011
 540-982-0800
 www.clarknexsen.com
 Clark Nexsen License Number: C-1028



SUBMITTAL
 4 MAY 2018
CONSTRUCTION DOCUMENTS

REVISIONS

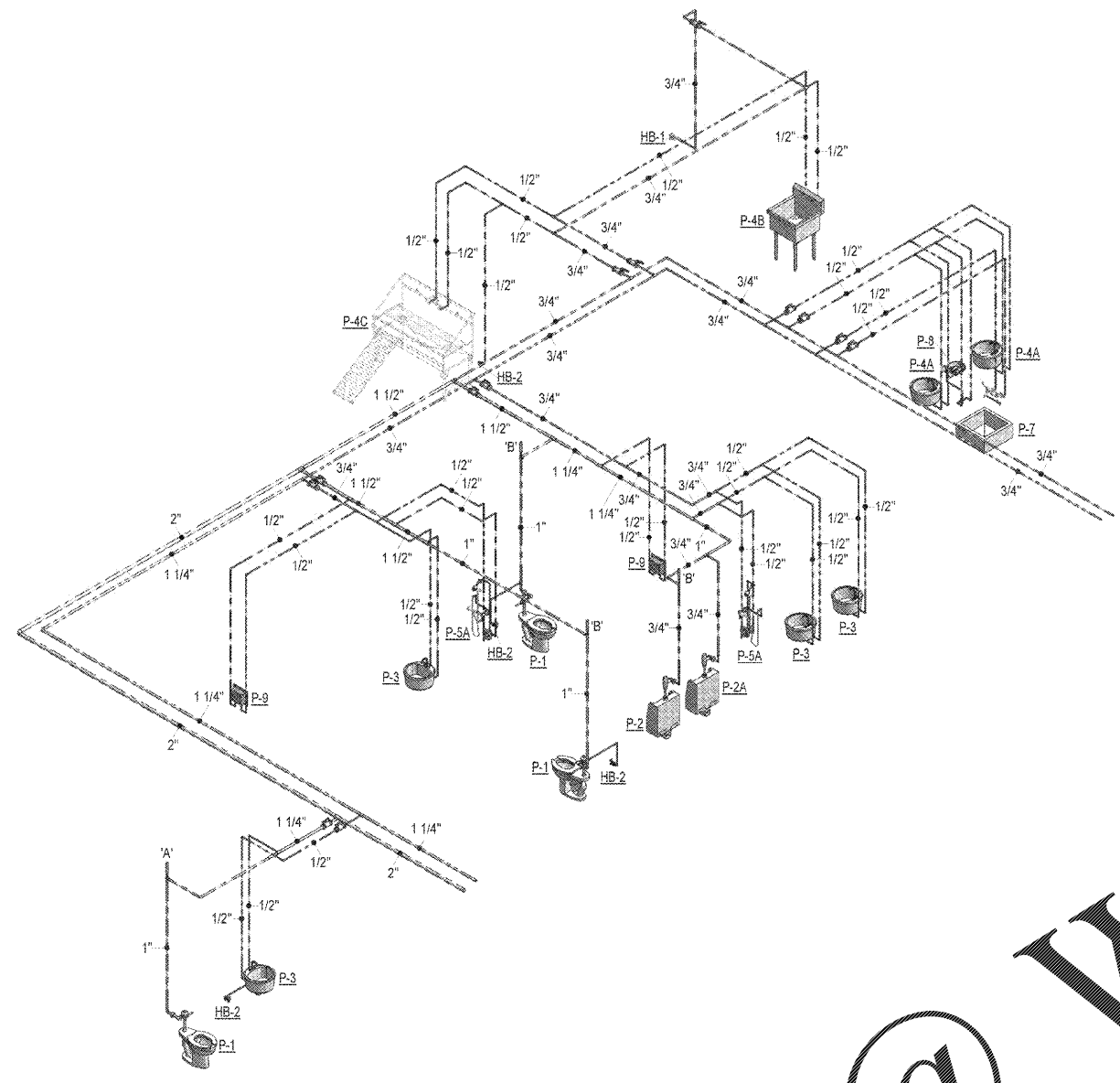
NO.	DESCRIPTION

SHEET
**DOMESTIC WATER RISER
 DIAGRAMS**

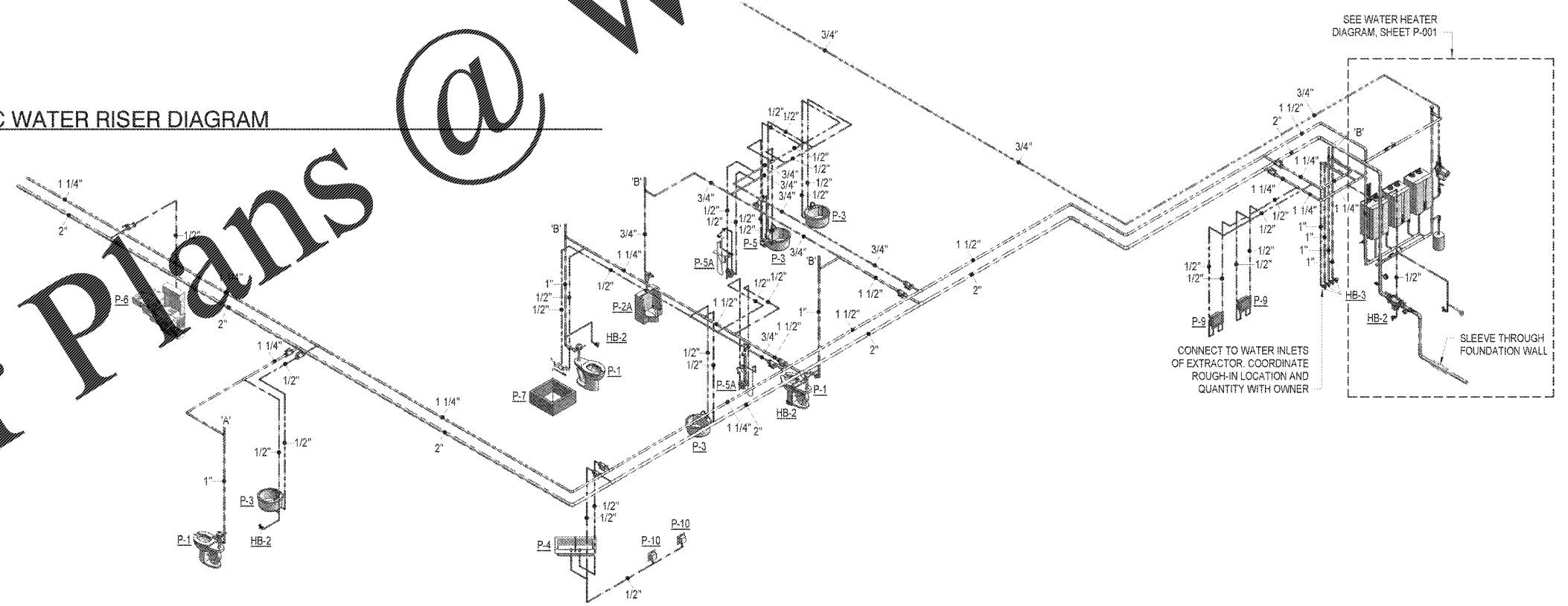
P-702

DESIGN: RWH
 DRAWN: RWH
 REVIEW: DAC

CN 5938



PLAN NORTH DOMESTIC WATER RISER DIAGRAM
 NO SCALE



PLAN SOUTH DOMESTIC WATER RISER DIAGRAM
 NO SCALE

WWW.LDILine.com
 Order Plans @