

SEALS



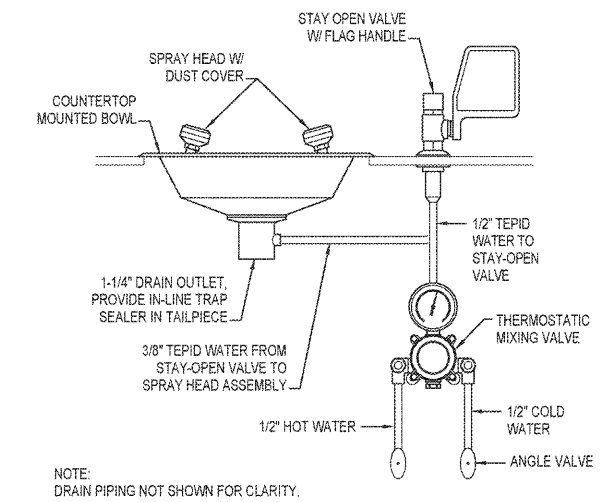
SUBMITTAL
 4 MAY 2018
CONSTRUCTION DOCUMENTS

REVISIONS

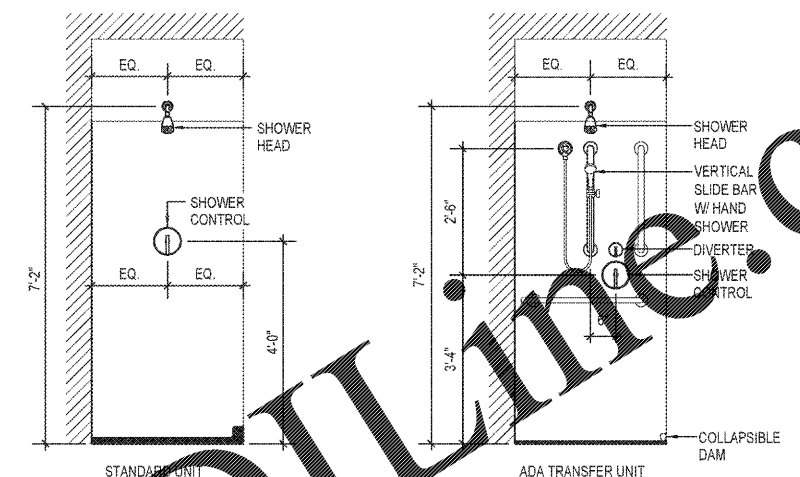
SHEET
PLUMBING DETAILS

P-501

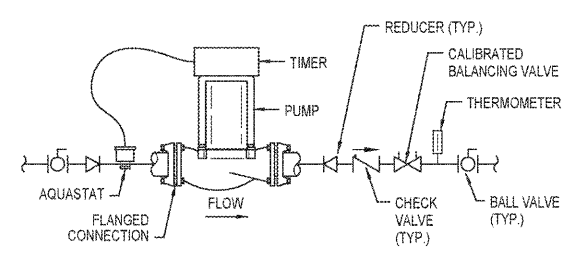
DESIGN: RWH
 DRAWN: RWH
 REVIEW: DAC
 CN 5938



10 EYEWASH STATION DETAIL
 NOT TO SCALE

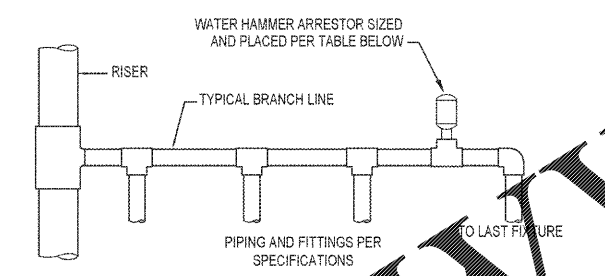


9 SHOWER UNIT ROUGH-IN
 NOT TO SCALE



NOTE:
 1. INSTALL PUMP AND CONTROLS PER MANUFACTURER'S
 INSTALLATION INSTRUCTIONS.

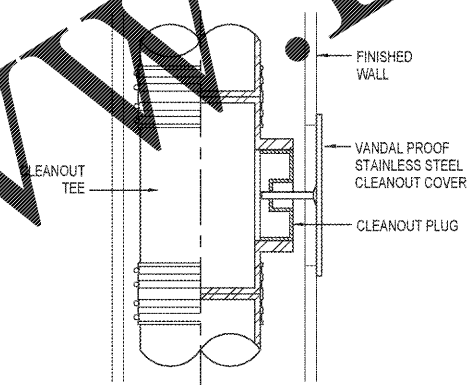
8 RECIRCULATING PUMP DETAIL
 NOT TO SCALE



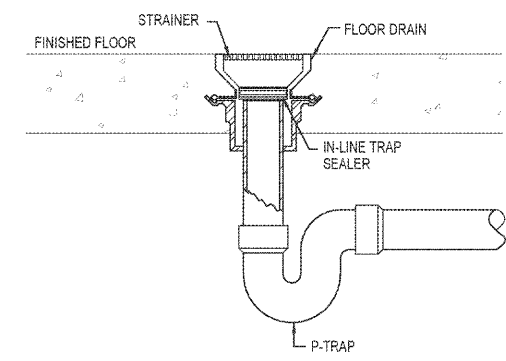
WATER HAMMER ARRESTOR SIZING TABLE

P.D.I. WH-201 SIZE	B	C	D	E	F	
FIXTURE UNIT RATING	1-11	12-22	33-60	61-113	114-154	155-330

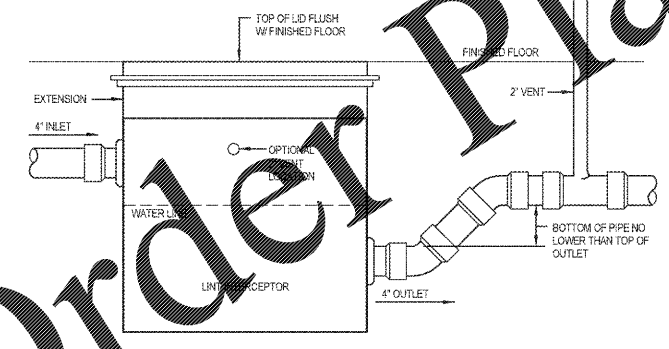
**7 WATER HAMMER ARRESTOR
 PLACEMENT AND SIZING DETAIL**
 NOT TO SCALE



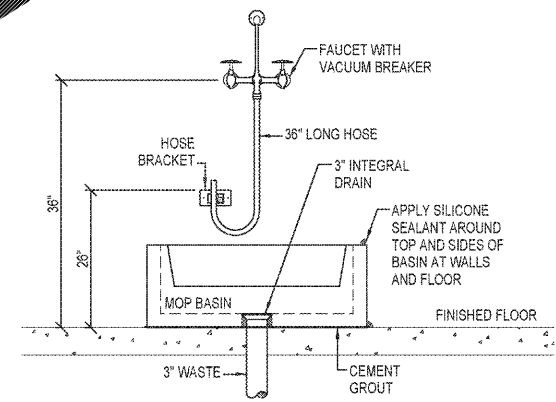
6 WALL CLEANOUT DETAIL
 NOT TO SCALE



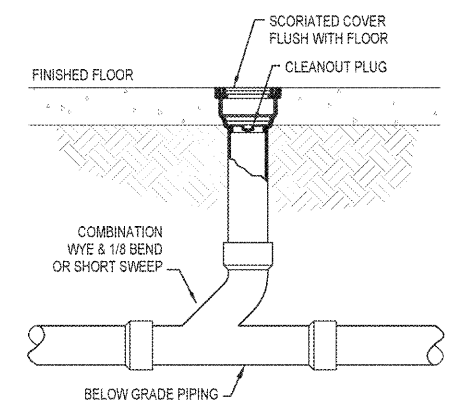
5 FLOOR DRAIN DETAIL
 NOT TO SCALE



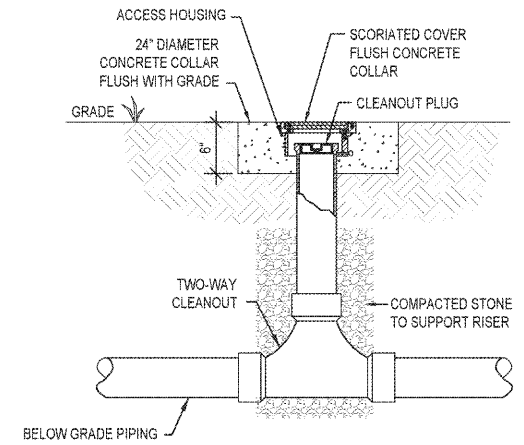
4 LINT INTERCEPTOR DETAIL
 NOT TO SCALE



3 MOP BASIN DETAIL
 NOT TO SCALE



2 FLOOR CLEANOUT DETAIL
 NOT TO SCALE



1 GRADE CLEANOUT DETAIL
 NOT TO SCALE

5/2/2018 10:56:10 AM
 C:\rental\Projects\9398 Police Fire City Training Facility P17_mech.mxd

Order Plans