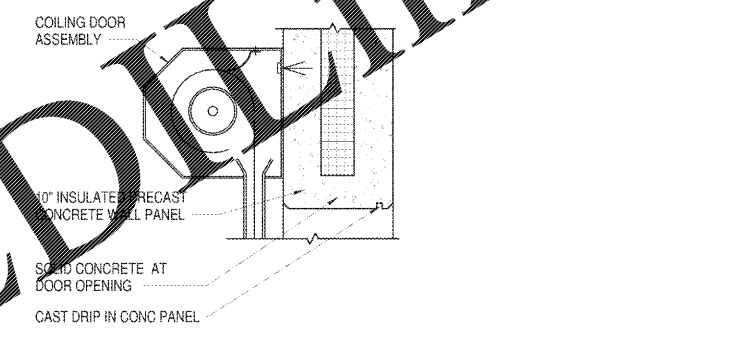
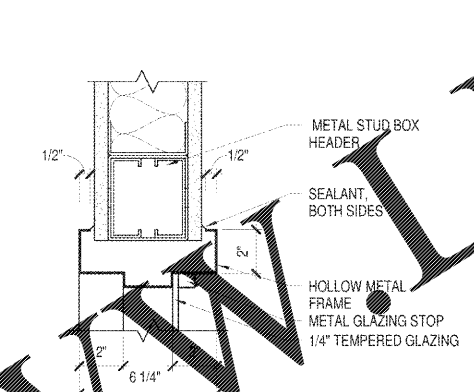
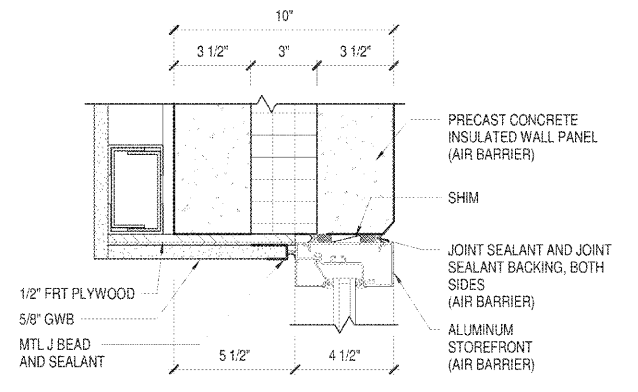
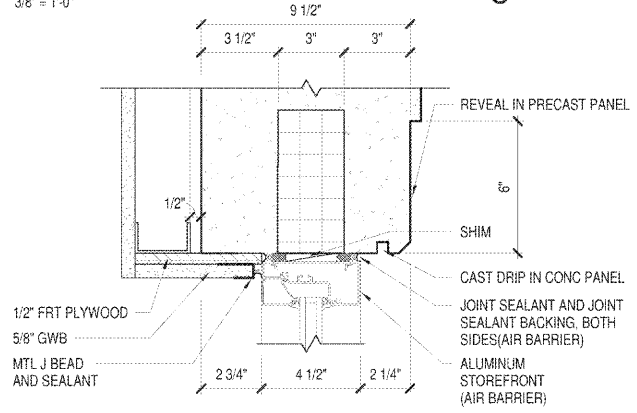


WINDOW ELEVATIONS

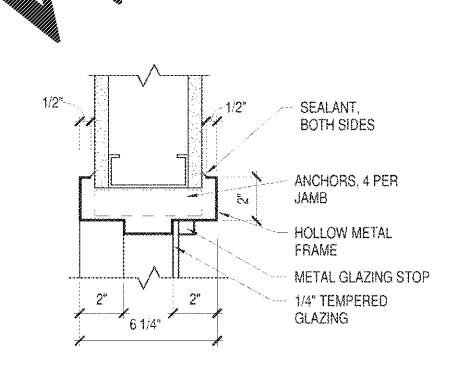
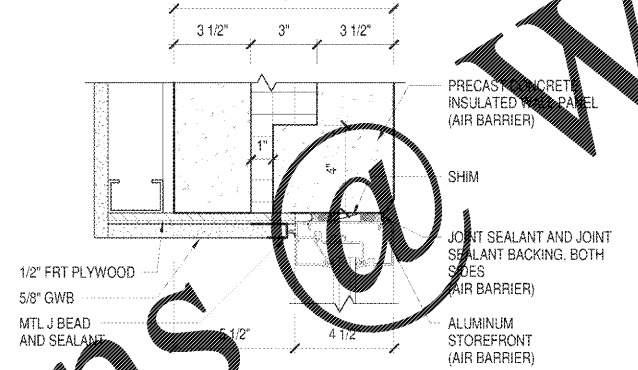
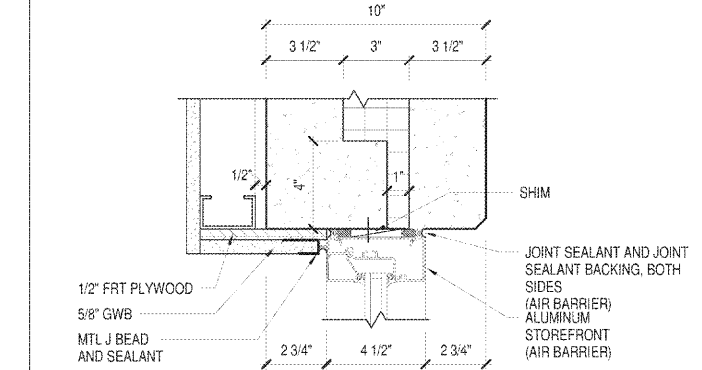


EXTERIOR COILING DOOR HEAD

HEAD DETAIL C1

HEAD DETAIL C2

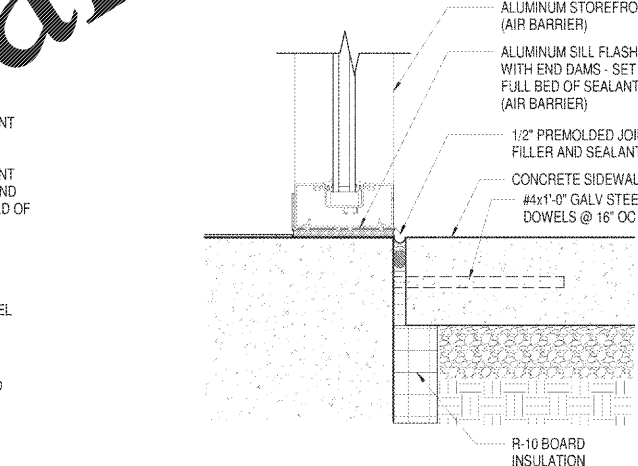
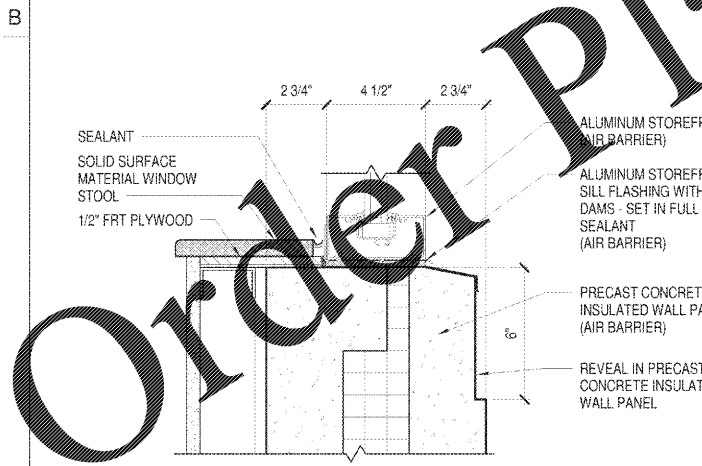
WINDOW HEAD, SILL SIM C3



JAMB DETAIL B1

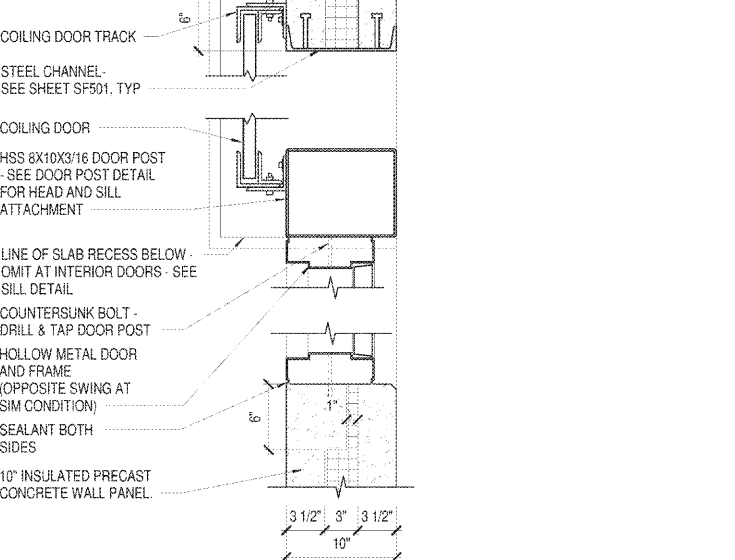
JAMB DETAIL B2

WINDOW JAMB B3

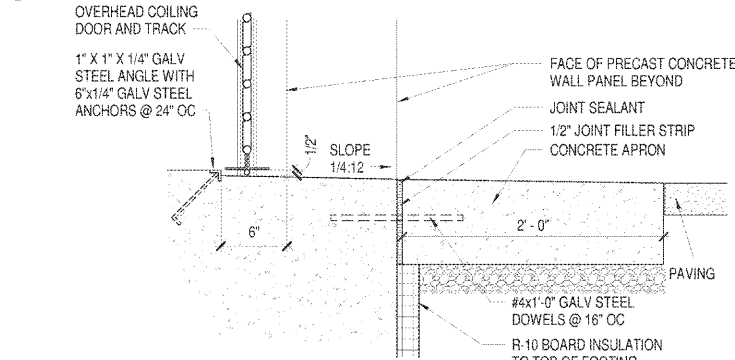


SILL DETAIL A1

SILL DETAIL A2



COILING OVERHEAD DOOR JAMB DETAIL B5



COILING DOOR SILL DETAIL A4



SUBMITTAL
 4 MAY 2018
 CONSTRUCTION DOCUMENTS

REVISIONS

SHEET
**WINDOW SCHEDULE AND
 DETAILS**

AE602

DESIGN: DJM
 DRAWN: ZLT
 REVIEW: JCS
 CN 5938