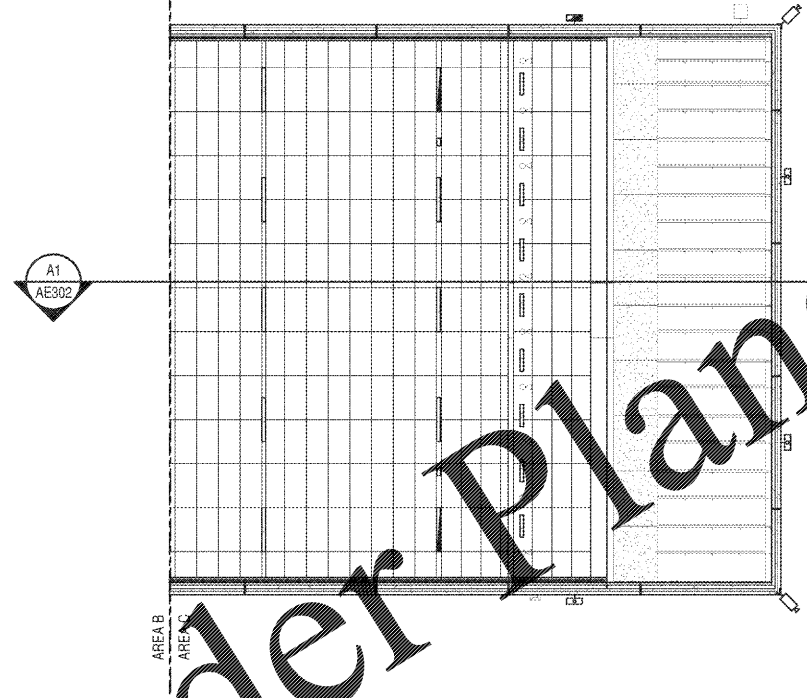
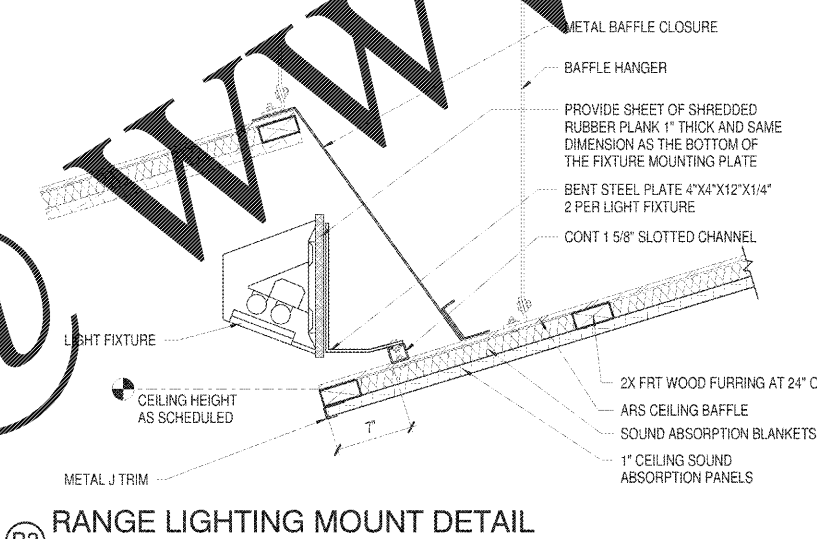


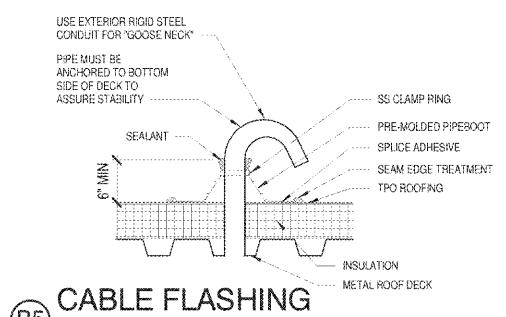
**REFLECTED CEILING PLAN - AREA B**  
 1/8" = 1'-0"



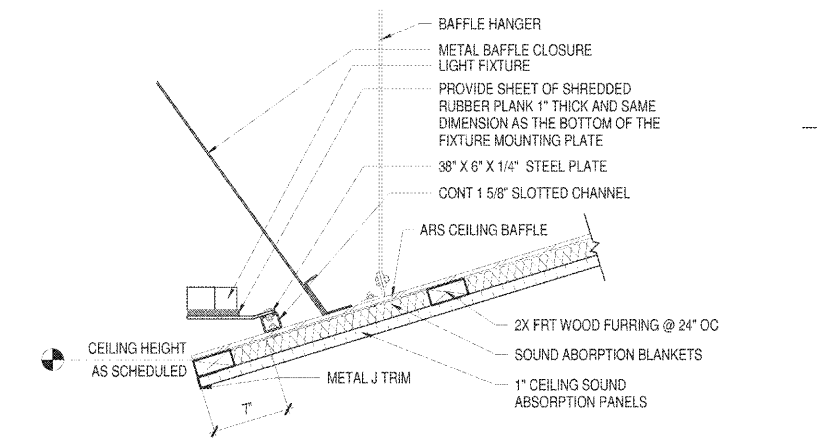
**REFLECTED CEILING PLAN - AREA C**  
 1/8" = 1'-0"



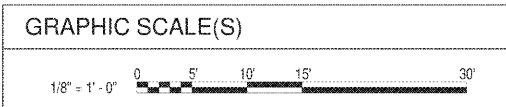
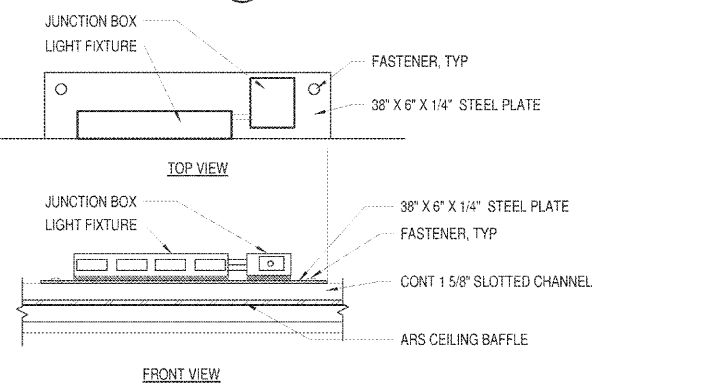
**B3 RANGE LIGHTING MOUNT DETAIL**  
 1 1/2" = 1'-0"



**B5 CABLE FLASHING**  
 1 1/2" = 1'-0"



**A3 TYPE W LIGHTING MOUNT DETAIL**  
 1 1/2" = 1'-0"



S:\1000\10-2018\10-2018-Police Fire City Training Facility\A17\_AreaB.rvt  
 5/15/2018 3:22:57 PM  
 C:\Users\jcs\AppData\Local\Temp\AutoCAD\10-2018-Police Fire City Training Facility\A17\_AreaB.rvt

Order Plans @ [www.LDOnline.com](http://www.LDOnline.com)