

1 ARCHITECTURAL ABBREVIATIONS

&	AND	MO	MASONRY OPENING
@	AT	MTG	MOUNTING
ACT	ACOUSTICAL CEILING TILE	MTL	METAL
ADJ	ADJUSTABLE, ADJUST	NIC	NOT IN CONTRACT
AFF	ABOVE FINISH FLOOR	NO	NUMBER
AFS	ABOVE FINISH SLAB	NOM	NOMINAL
ALT	ALTERNATE	NTS	NOT TO SCALE
ALUM	ALUMINUM	OC	ON CENTER
APPROX	ARCHITECTURAL	OD	OUTSIDE DIAMETER
APC	PRECAST CONCRETE	OFCI	OWNER FURNISHED CONTRACTOR INSTALLED
BD	BOARD	OFOI	OWNER FURNISHED CONTRACTOR INSTALLED
BLDG	BUILDING	OHI	OPPOSITE HAND
BLKG	BLOCKING	OPNG	OPENING
BRG	BEARING	OPP	OPPOSITE
BUR	BUILT-UP ROOFING	ORD	OVERFLOW ROOF DRAIN
CL	CENTER LINE	PL	PLATE
CG	CORNER GUARD	PLAM	PLASTIC LAMINATE
CJ	CONTROL JOINT	PLYWD	PLYWOOD
CL	CLEAR	PR	PAIR
CLG	CEILING	PTD	PAINTED
CMU	CONCRETE MASONRY UNIT	R	RADIUS
COL	COLUMN	RD	ROOF DRAIN
CONC	CONCRETE	REF	REFRIGERATOR
CONST	CONSTRUCTION	REINF	REINFORCING
CONT	CONTINUOUS	REQ'D	REQUIRED
CPT	CARPET	REQ'TS	REQUIREMENTS
CT	CERAMIC TILE	RM	ROOM
D	DEPTH / DRYER	RO	ROUGH OPENING
DBL	DOUBLE	RWL	RAIN WATER LEADER
DIA	DIAMETER	SAFB	SOUND ATTENUATING FIRE BLANKETS
DIAG	DIAGONAL	SF	SQUARE FEET
DIM	DIMENSION	SIM	SIMILAR
DISP	DISPENSER	SQ	SQUARE
DN	DOWN	SS	STAINLESS STEEL
DS	DOWNSPOUT	STRUCT	STRUCTURAL
DWG	DRAWING	STD	STANDARD
EA	EACH	STL	STEEL
EJ	EXPANSION JOINT	SUSP	SUSPENDED
ELEC	ELECTRIC	T & B	TOP & BOTTOM
ELEV	ELEVATION	THR	THRESHOLD
EOS	EDGE OF SLAB	TOC	TOP OF CONCRETE
EPS	EXPANDED POLYSTYRENE	TOW	TOP OF WALL
EQ	EQUAL	TP	TOILET PARTITION
EQUIP	EQUIPMENT	TYP	TYPICAL
EXIST	EXISTING	UON	UNLESS OTHERWISE NOTED
EXP	EXPANSION / EXPOSED	VB	VINYL BASE
EXT	EXTERIOR	VCT	VINYL COMPOSITION TILE
FD	FLOOR DRAIN	VERT	VERTICAL
FEB	FIRE EXTINGUISHER BRACKET	VIF	VERIFY IN FIELD
FEC	FIRE EXTINGUISHER CABINET	VTR	VENT THRU ROOF
FF	FINISH FLOOR	W	WIDTH / WASHER
FGL	FIBERGLASS	W/	WITH
FIN	FINISH	W/O	WITHOUT
FLR	FLOOR	WC	WALLCOVERING
FO	FACE OF	WD	WOOD
FRT	FIRE RETARDANT TREATED	WDW	WINDOW
GA	GAUGE	WO	WINDOW OPENING
GALV	GALVANIZED	WP	WORK POINT
GFRG	GLASS FIBER REINFORCED	WT	WEIGHT
GYPSUM	GYPSUM	XPS	EXTRUDED POLYSTYRENE
GL	GLASS		
GWB	GYPSUM WALL BOARD		
GYP	GYPSUM		
HC	HANDICAPPED		
HDW	HARDWARE		
HDWD	HARDWOOD		
HM	HOLLOW METAL		
HORIZ	HORIZONTAL		
HT	HEIGHT		
HVAC	HEATING, VENTILATION, & AIR CONDITIONING		
ID	INSIDE DIAMETER		
INSUL	INSULATION		
INT	INTERIOR		
JT	JOINT		
KO	KNOCK OUT		
L	LENGTH / LONG		
MATL	MATERIAL		
MAX	MAXIMUM		
MECH	MECHANICAL		
MFR	MANUFACTURER		
MIN	MINIMUM		
MISC	MISCELLANEOUS		

2 ARCHITECTURAL SYMBOLOLOGY

	NEW WORK NOTE
	WINDOW DESIGNATION
	COLUMN GRID LINE
	SPACE NAME
	ROOM DESIGNATION
	DIRECTION OF SLOPE
	FLOOR DRAIN
	FIRE EXTINGUISHER CABINET
	LOUVER DESIGNATION
	FIRST FLOOR ELEVATION DATUM
	SPECIALTY ITEM DESIGNATION
	ROOF SLOPE
	MATCH LINE
	FIRE EXTINGUISHER BRACKET
	DETAIL, SECTION, ELEVATION TITLE
	PLAN TITLE AND NORTH ARROW
	DETAIL / ENLARGED PLAN
	INTERIOR ELEVATION
	EXTERIOR ELEVATION
	BUILDING SECTION
	DETAIL / WALL SECTION
	DOOR NUMBER
	PARTITION / WALL TYPE

3 MATERIALS LEGEND

	EARTH
	POROUS FILL
	CONCRETE
	BRICK
	CONCRETE MASONRY UNIT (CMU)
	RIGID INSULATION
	BATT / LOOSE / BLANKET INSULATION
	MINERAL WOOL INSULATION
	INTERRUPTED WOOD BLOCKING
	CONTINUOUS WOOD BLOCKING / FRAMING
	PLYWOOD / MDF
	FINISHED WOOD
	GYPSUM WALLBOARD / PLASTER / GROUT / SPRAY FOAM INSULATION / SPRAYED FIREPROOFING
	ACOUSTICAL TILE / CERAMIC TILE
	CARPET

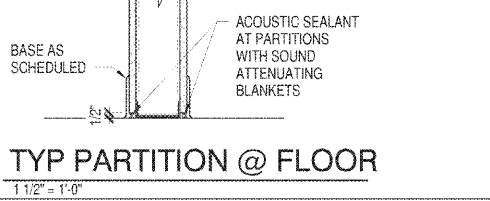
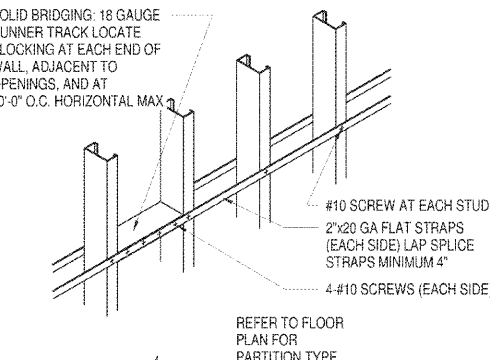
AIR BARRIER GENERAL NOTES

COMPONENTS OF THE AIR BARRIER ASSEMBLY ARE INDICATED AS "AIR BARRIER" PROVIDE AIR TIGHT JOINTS IN MODULAR COMPONENTS (I.E. PRECAST CONCRETE INSULATED WALL PANELS). PROVIDE AIR TIGHT CONNECTIONS BETWEEN AIR BARRIER COMPONENTS AS INDICATED.

VERIFY PROPER INSTALLATION & INTEGRITY OF AIR BARRIER ASSEMBLY IN AREAS TO BE CONCEALED (I.E. BEHIND INTERIOR FINISHES, INACCESSIBLE ENCLOSED VOID SPACES, ETC.) PRIOR TO COMMENCING WITH CONCEALMENT.

COMPLETELY SEAL AROUND PENETRATIONS THROUGH AIR BARRIER ASSEMBLY COMPONENTS ACCORDING TO MANUFACTURER'S RECOMMENDATIONS TO MAINTAIN AIR BARRIER / WEATHER TIGHT CONDITION.

BRIDGING IN METAL STUD WALLS



4 PARTITION TYPES

TAG	DESCRIPTION
4A	3 5/8" METAL STUDS @ 16" OC W/ 5/8" GWB BOTH SIDES
4B	3 5/8" METAL STUDS @ 16" OC W/ 5/8" GWB BOTH SIDES, W/ 3 1/2" SOUND BATT INSULATION
4C	3 5/8" METAL STUDS @ 16" OC W/ 5/8" GWB ONE SIDE
6A	6" METAL STUDS @ 16" OC W/ 5/8" GWB BOTH SIDES
6B	6" METAL STUDS @ 16" OC W/ 5/8" GWB BOTH SIDES, W/ 3 1/2" SOUND BATT INSULATION
6C	6" METAL STUDS @ 16" OC W/ 5/8" GWB ONE SIDE
1	TERMINATE 6" ABOVE CEILING. PROVIDE DIAGONAL BRACING TO STRUCTURE ABOVE @ MIN 60° OC
2	TERMINATE 6" ABOVE CEILING. PROVIDE DIAGONAL BRACING TO STRUCTURE ABOVE @ MIN 60° OC. PROVIDE SOUND ATTENUATION ATTENUATION BLANKETS ON CEILING EXTENDING 48" ON EA SIDE OF WALL
3	EXTEND FRAMING TO DECK ABOVE. EXTEND ONE SIDE OF GWB TO DECK ABOVE. COPE GWB AROUND FRAMING.

PARTITION TYPE GENERAL NOTES

PROVIDE TILE BACKING PANELS IN LIEU OF GYPSUM WALLBOARD ON ALL WALLS SCHEDULED TO RECEIVE CERAMIC TILE TO HEIGHT OF TILE ONLY. REFER TO FINISH SCHEDULE FOR HEIGHT OF TILE. PROVIDE GYPSUM WALLBOARD ABOVE TILE.

UNLESS OTHERWISE NOTED, PARTITION STUD GAUGE SHALL BE DESIGNATED BY AN L/120 DEFLECTION AS REQUIRED BY CODE.

ON PARTITIONS TO RECEIVE TILE, STUD GAUGE SHALL BE DESIGNATED TO AN L/360 DEFLECTION OR LESS AS RECOMMENDED BY THE TILE COUNCIL OF NORTH AMERICA (TCNA).

USE ANTI-MICROBIAL SEALANT IN LIEU OF GROUT AT ALL INSIDE CORNERS OF WALLS WITH CERAMIC TILE; SEALANT COLOR TO MATCH ADJACENT GROUT.

IN ALL NON-RATED WALLS AND EXTERIOR WALLS, CONCEALED BLOCKING IS PERMITTED TO BE UNTREATED WOOD FOR THE FOLLOWING APPLICATIONS: BLOCKING FOR HANDRAILS, MILLWORK, CABINETS, WINDOW AND DOOR FRAMES. IN EXTERIOR WALLS, BLOCKING SHALL BE NONCOMBUSTIBLE OR FIRE RETARDANT WOOD SPECIFIED IN LOCATIONS NOTED ABOVE.

PROVIDE BRACING ON FACE OF STUDS AT SURFACES UNBRACED BY GWB, LOCATE BRACING AT 1/3 POINTS OF VERTICAL SPAN. SEE TYPICAL WALL BRIDGING DETAIL ON THIS SHEET.

RATED PARTITION LEGEND

	ONE HALF HOUR FIRE RATING
	ONE HOUR FIRE RATING
	TWO HOUR FIRE RATING
	THREE HOUR FIRE RATING

5 ARCHITECTURAL GENERAL NOTES

- PLAN DIMENSIONS SHOWN ARE TO FACE OF FRAMING MEMBERS, FACE OF MASONRY, FACE OF EXISTING WALL, AND TO CENTER LINE OF COLUMNS.
- ALL NOTES, DETAILS, AND FEATURES DRAWN AS APPLICABLE FOR ONE CONDITION ARE APPLICABLE TO SIMILAR CONDITIONS, WHETHER OR NOT SPECIFICALLY INDICATED.
- LOCATE ALL INTERIOR DOOR FRAMES A DISTANCE OF 4" (FOUR) INCHES FROM THE THROAT RETURN TO THE CLOSEST ADJACENT PERPENDICULAR PARTITION, UNLESS OTHERWISE NOTED.
- ALL ELEVATIONS ARE MEASURED FROM THE REFERENCE ELEVATION +0'-0", WHICH IS THE TOP OF THE FIRST FLOOR SLAB UNLESS OTHERWISE NOTED.
- ALL WOOD BLOCKING AND MISCELLANEOUS STEEL SHOWN IN DETAILS AND SECTIONS SHALL BE CONTINUOUS, UNLESS OTHERWISE NOTED.
- USE FIRE-RETARDANT TREATED WOOD PRODUCTS FOR ALL CONCEALED WOOD BLOCKING UNLESS OTHERWISE NOTED.
- USE PRESERVATIVE TREATED WOOD PRODUCTS FOR ALL WOOD BLOCKING IN CONTACT WITH EXTERIOR MASONRY OR CONCRETE WALLS, AND FOR ALL WOOD BLOCKING IN CONTACT WITH CONCRETE SLABS ON GRADE.
- PROVIDE WOOD OR METAL BLOCKING BEHIND GYPSUM BOARD AT THE FOLLOWING LOCATIONS:
  - A) ALL WALL-MOUNTED OR CEILING-MOUNTED DOOR STOPS, DOOR HOLD-OPEX DEVICES, AND OTHER HARDWARE.
  - B) ALL WALL MOUNTED TOILET ACCESSORIES: AT GRAB BARS, PROVIDE BLOCKING CAPABLE OF RESISTING A MINIMUM LOAD OF 250 POUNDS APPLIED VERTICALLY OR HORIZONTALLY AT ANY POINT ON THE GRAB BAR.
  - C) ALL WALL-MOUNTED PLUMBING FIXTURES, INCLUDING BUT NOT LIMITED TO LAVATORIES, SINKS, URINALS, WATER CLOSETS, AND WATER COOLERS. PROVIDE BLOCKING CAPABLE OF RESISTING A MINIMUM LOAD OF 400 POUNDS APPLIED VERTICALLY AT ANY POINT ON THE PLUMBING FIXTURE.
  - D) ALL WALL-MOUNTED CABINETRY, SHELVING, AND SIMILAR ITEMS.
- DO NOT SCALE DRAWINGS TO DETERMINE DIMENSIONS OR SIZES OF BUILDING ELEMENTS.
- VERIFY ALL DIMENSIONS. BRING ANY DISCREPANCIES TO THE IMMEDIATE ATTENTION OF THE ARCHITECT.
- ALL MATERIALS USED IN THE PROJECT SHALL BE NEW AND PROVIDED BY THE CONTRACTOR UNLESS SPECIFICALLY INDICATED OTHERWISE.
- NOTIFY ARCHITECT OF ANY DISCREPANCY BETWEEN DRAWINGS, SPECIFICATIONS AND/OR EXISTING CONDITIONS.

REFLECTED CLG PLAN LEGEND

	MECHANICAL EQUIPMENT
	LIGHT FIXTURES
	EXIT LIGHTS
	OCCUPANCY SENSOR
	SPEAKERS
	CEILING HEIGHT
	EXPOSED CEILING
	CEILING MOUNTED RECEPTACLE

	2' X 2' ACOUSTICAL TILE LAY-IN CEILING
	GYPSUM WALL BOARD CEILING / SOFFIT
	METAL PANEL CEILING / SOFFIT

WILMINGTON, NC

**HAYNES / LACEWELL POLICE AND FIRE TRAINING FACILITY**

310 WEST STREET, WILMINGTON, NC 28405

DESIGNER

**CLARK NEXSEN**

213 South Jefferson, Suite 1011  
Roanoke, Virginia 24011  
540-962-0800  
www.clarknexsen.com  
Clark Nexsen License Number: C-1028

SEALS

David M. Clark

SUBMITTAL

4 MAY 2018

CONSTRUCTION DOCUMENTS

REVISIONS

SHEET

ARCHITECTURAL LEGENDS AND NOTES

**A-001**

DESIGN: DJM  
DRAWN: ZLT  
REVIEW: JCS

CN 5938

Order Plans @