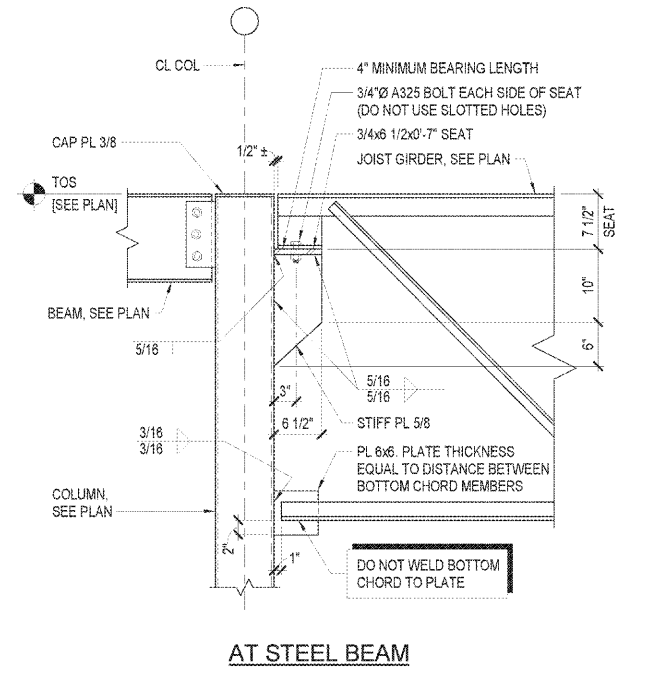
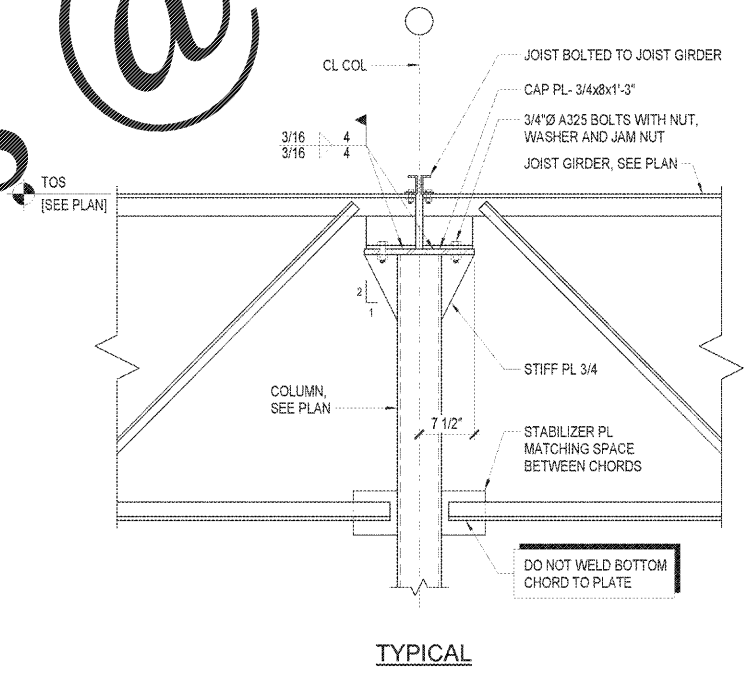
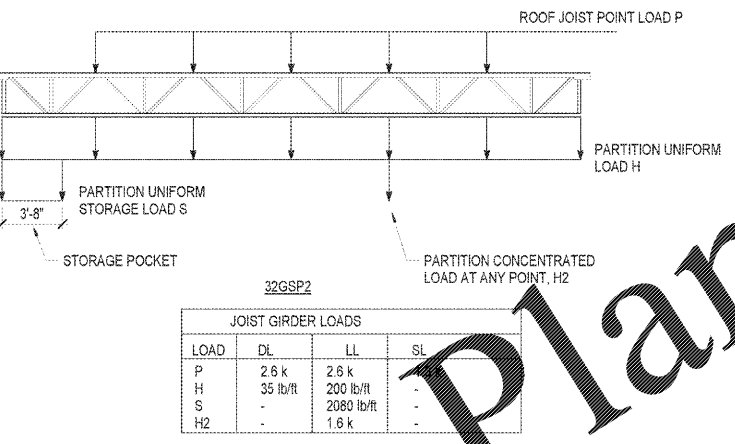
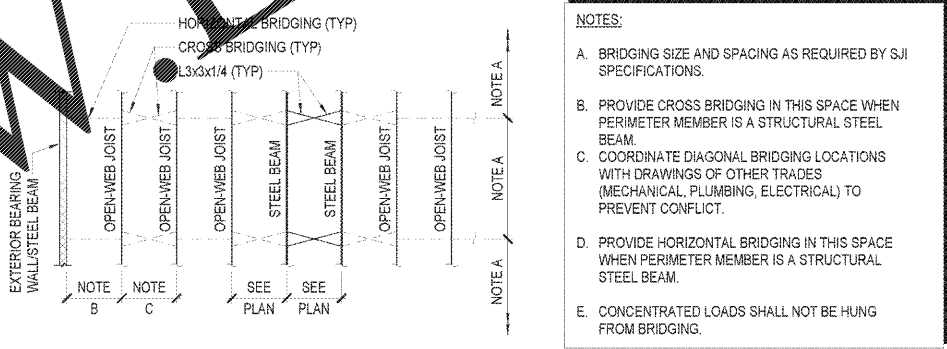
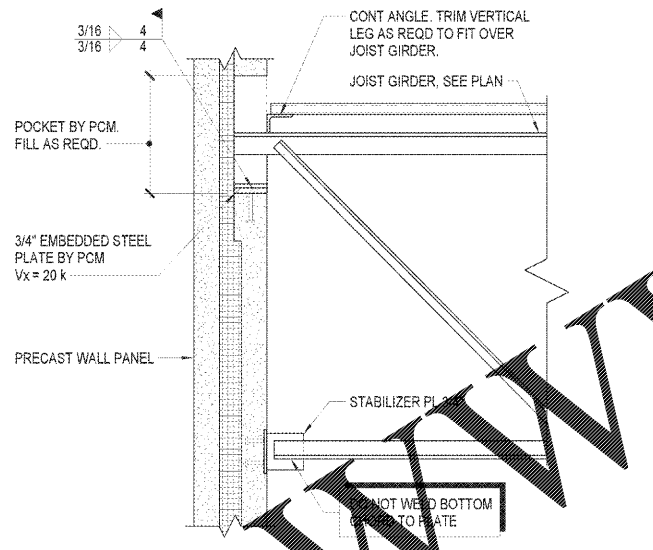
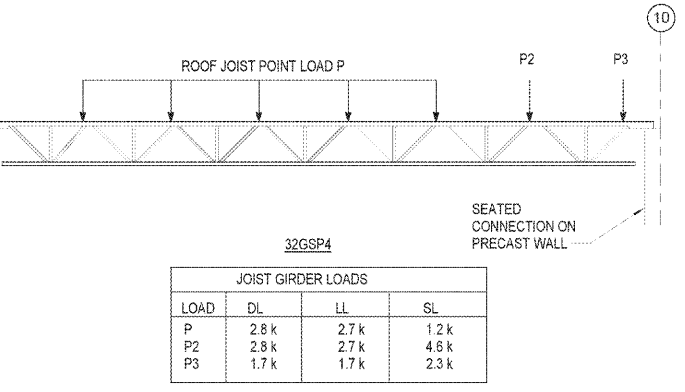
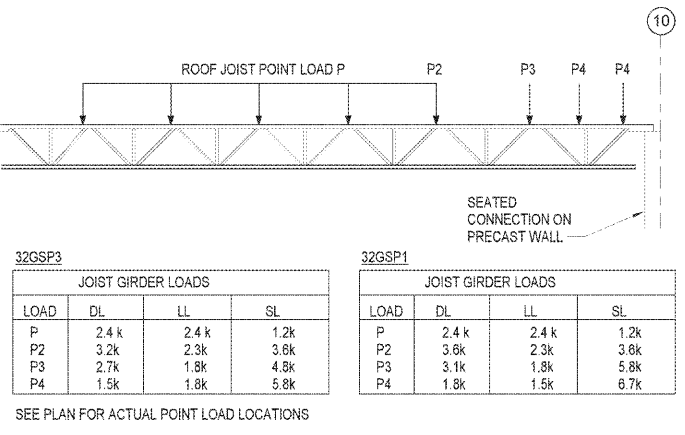
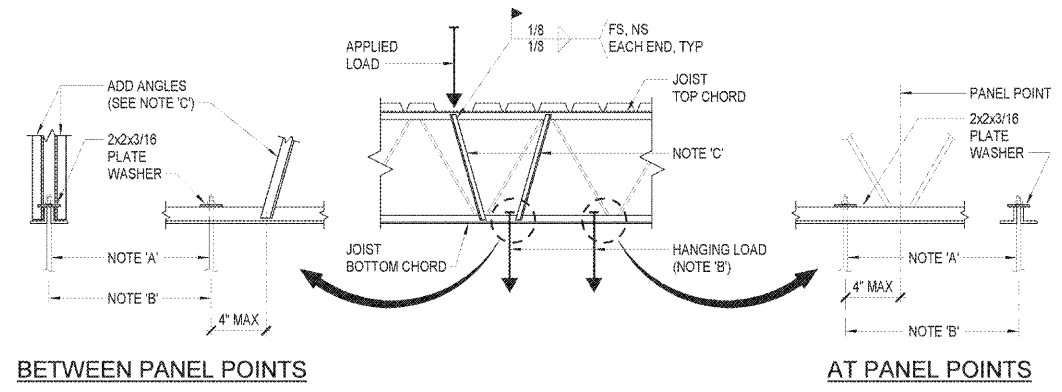


NOTES:

- A. HANGER RODS - SEE ARCHITECTURAL, MECHANICAL, PLUMBING, AND ELECTRICAL DRAWINGS.
- B. POSITION HANGER RODS ON JOIST CENTERLINE BETWEEN BOTTOM CHORD ANGLES. 'C' CLAMP CONNECTIONS ARE NOT ALLOWED.
- C. WHERE CONCENTRATED LOADS ARE APPLIED TO TOP CHORDS OR HUNG FROM BOTTOM CHORDS BETWEEN PANEL POINTS, REINFORCE JOIST WITH DOUBLE ANGLES 1x1x1/8 AS INDICATED.
- D. THIS DETAIL OCCURS WHERE APPLIED OR HANGING LOADS EXCEED 100 POUNDS, BUT LIMITED TO 300 POUNDS MAXIMUM.



JOIST GIRDER DESIGN NOTES:

- JOIST PANEL POINT LAYOUT IS SCHEMATIC. JOIST DESIGNER SHALL DETERMINE ACTUAL PANEL POINT LAYOUT.
- ROOF LIVE LOADS SHOWN ON TOP OF JOIST GIRDER ARE ROOF LIVE LOADS (RL). BOTTOM CHORD LIVE LOADS ARE TO MOVING LOADS SUCH AS PARTITIONS (L). LOAD H AND LOAD S NEED NOT BE TAKEN CONCURRENTLY. LOAD H2 SHALL BE CONSIDERED AT VARIOUS POINTS ALONG THE LENGTH PRODUCING THE MAXIMUM VALUES OF SHEAR AND MOMENT CONCURRENT WITH LOAD H.
- MAXIMUM DEFLECTION OF JOIST GIRDER UNDER COMBINED ROOF LIVE LOAD AND LIVE LOADS DUE TO PARTITION SHALL NOT EXCEED 3/4" AT ANY POINT.

JOIST GIRDER DIAGRAMS
 NOT TO SCALE

JOIST GIRDER TO COLUMN CONNECTION
 NOT TO SCALE

AT STEEL BEAM

5/20/18 11:09:38 PM C:\temp\Physical\933_Police Fire City Training Facility 01_1_mechan..._ClarkNexsen.dwg_cmr161

1 2 3 4 5 D C B A

Order Plans @ WWW.LDILine.com