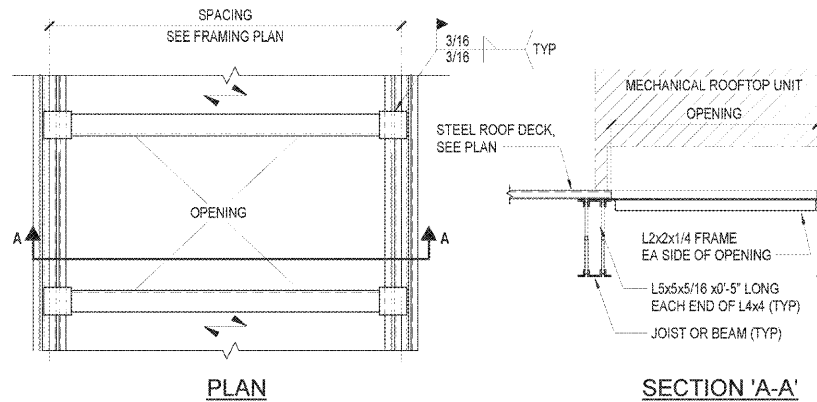


REVISIONS

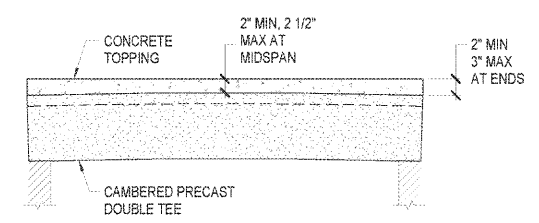
NO.	DATE	DESCRIPTION

NOTE:
 POUR STRIP SHALL BE BLOCKED OUT WITH BULKHEADS DURING TOPPING SLAB PLACEMENT. DO NOT PLACE POUR STRIP UNTIL 30 DAYS HAVE ELAPSED AFTER TOPPING SLAB PLACEMENT.

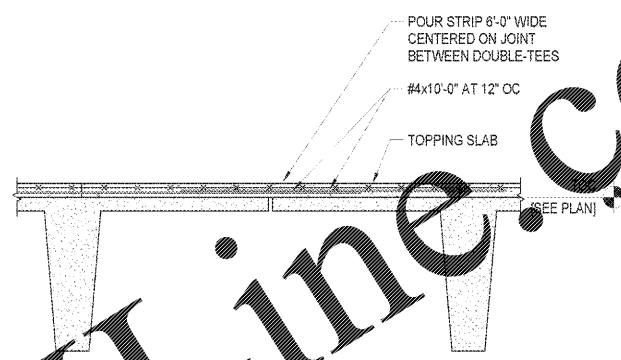


NOTES:

1. FASTEN STEEL ROOF DECK TO DECK SUPPORT ANGLE AND TO PERIMETER JOISTS AROUND MECHANICAL UNIT AT 6" OC.
2. IF REQUIRED SPAN OF DECK SUPPORT ANGLE EXCEEDS 6'-0", CONTACT STRUCTURAL ENGINEER OF RECORD.
3. COORDINATE DECK OPENING AND JOIST LOCATIONS WITH MECHANICAL UNIT.

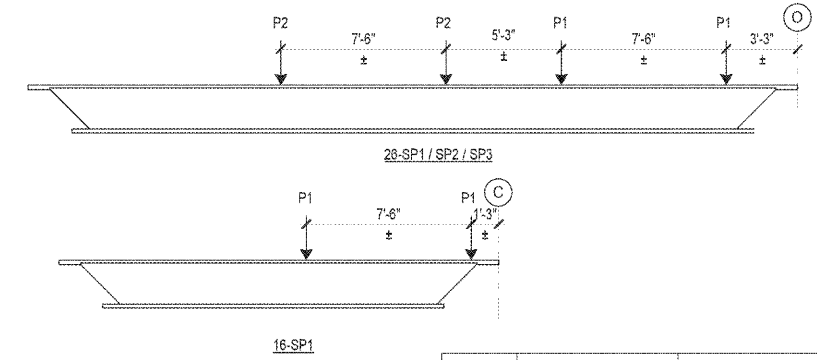


TYPICAL CONCRETE TOPPING THICKNESS
 NOT TO SCALE



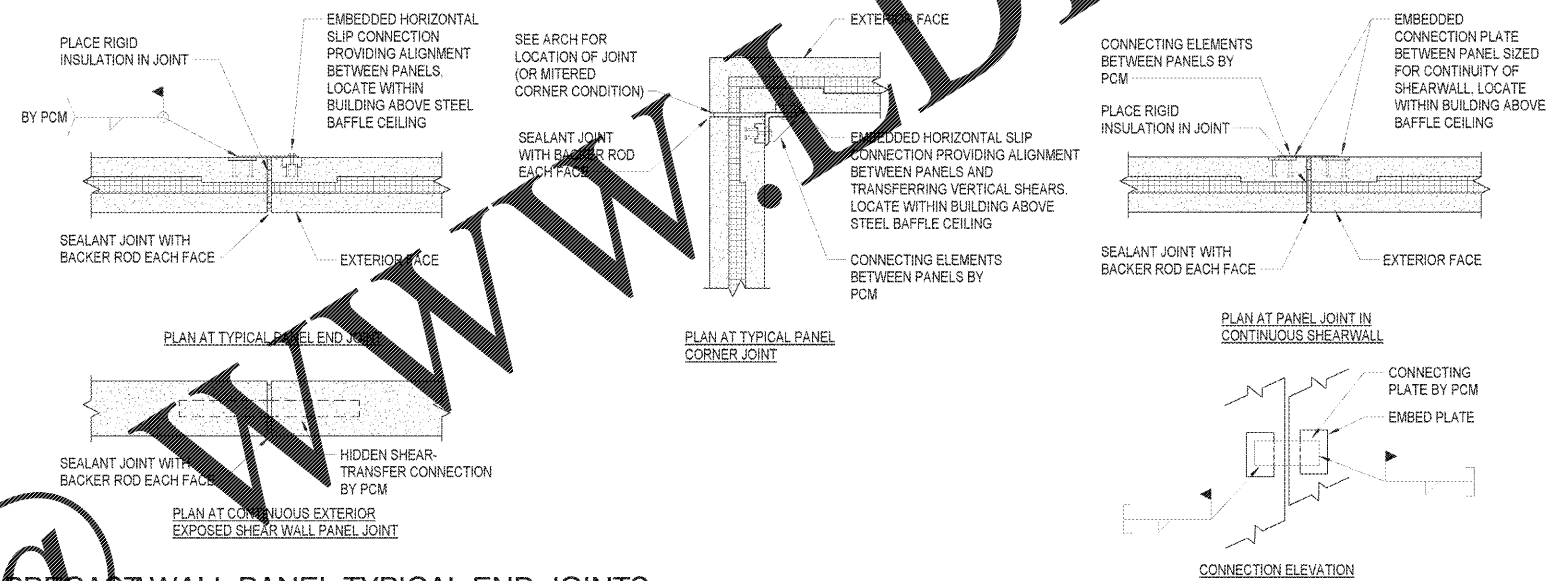
TYPICAL TOPPING SLAB POUR STRIP
 NOT TO SCALE

TYPICAL ROOF MECHANICAL UNIT SUPPORT AT METAL DECK
 NOT TO SCALE

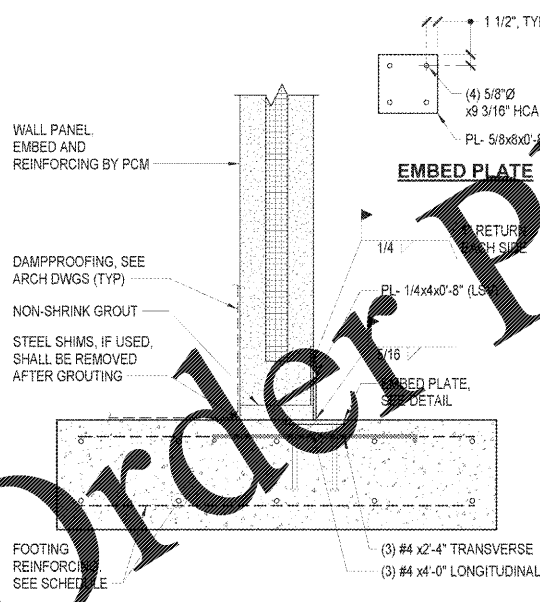


MARK	UNIFORM LOADS			POINT LOADS			
	DL	LL	SL	LOAD	DL	LL	SL
28K-SP1	60PLF	63 PLF	25 PLF	P1	950 LB	0	0
28K-SP2	62PLF	67 PLF	25 PLF	P1	950 LB	0	0
28K-SP3	62PLF	67 PLF	30 PLF	P2	950 LB	0	0
16K-SP1	60PLF	65 PLF	90 PLF	P2	950 LB	0	0

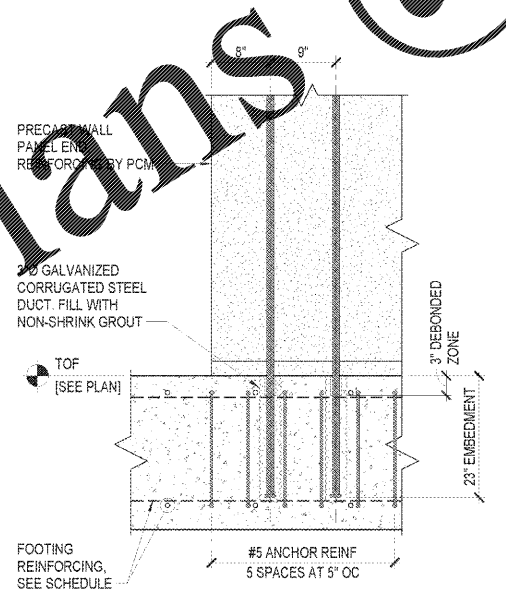
STEEL JOIST DIAGRAMS
 NOT TO SCALE



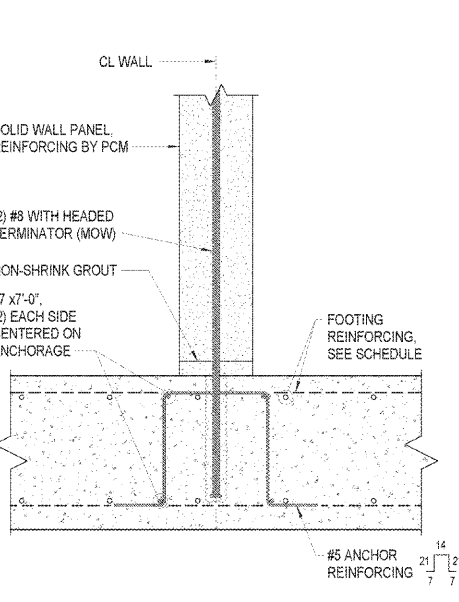
PRECAST WALL PANEL TYPICAL END JOINTS
 NOT TO SCALE



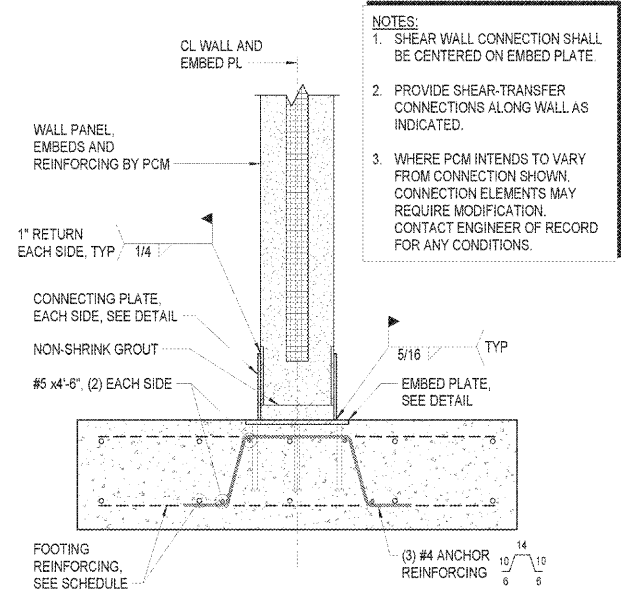
SHEARWALL END ANCHORAGE 'A'
 NOT TO SCALE



SHEARWALL END ANCHORAGE 'B'
 NOT TO SCALE



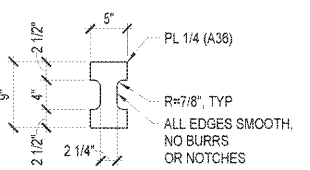
SHEARWALL END ANCHORAGE 'C'
 NOT TO SCALE



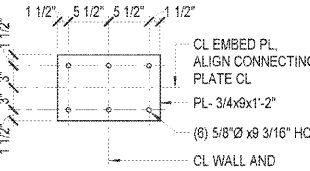
SHEARWALL END ANCHORAGE 'C'
 NOT TO SCALE

NOTES:

1. SHEAR WALL CONNECTION SHALL BE CENTERED ON EMBED PLATE.
2. PROVIDE SHEAR-TRANSFER CONNECTIONS ALONG WALL AS INDICATED.
3. WHERE PCM INTENDS TO VARY FROM CONNECTION SHOWN, CONNECTION ELEMENTS MAY REQUIRE MODIFICATION. CONTACT ENGINEER OF RECORD FOR ANY CONDITIONS.



CONNECTING PLATE



EMBED PLATE

5/20/18 11:09:35 PM
 C:\entw\p\proj\0938_Police Fire City Training Facility 017_mechan_01\Drawings\ClarkNexsen.dwg

Order Plans @ www.wedline.com